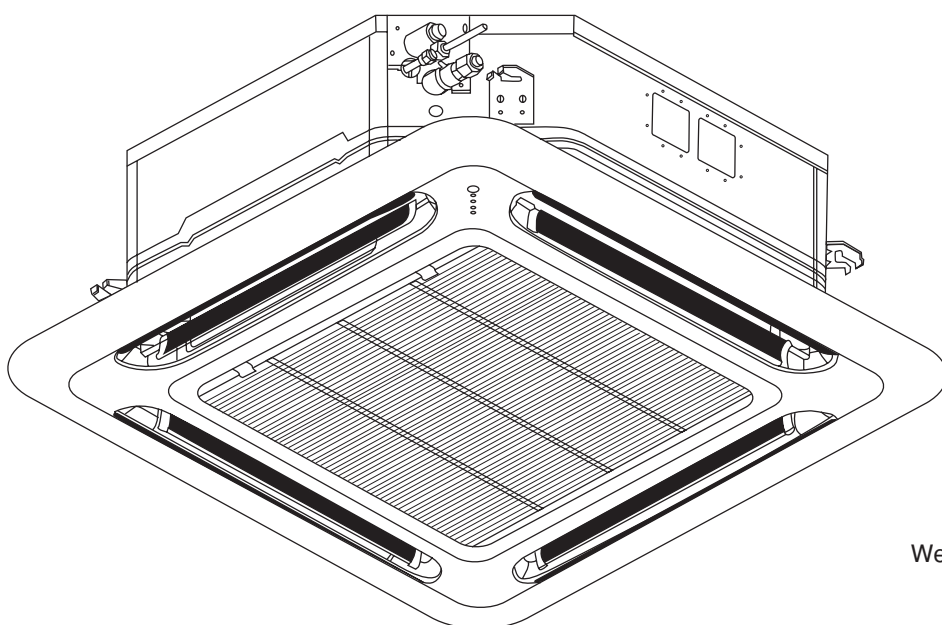


Siesta[®]

INSTALLATION MANUAL



Models

ACQ 71 BV1

ACQ 100 BV1

ACQ 125 BV1

Installation Manual
Split Type Unit

English

Manuel D'installation
Type d'unité Split

Français

Installationshandbuch
Split Typ Einheit

Deutsch

Installatiehandleiding
Werdelen Drukletter Eenheid

Nederlands

Manual De Instalación
Escisión tipos Unidades

Español

Руководство по установке
Блок Раздельного Типа

Русский

Kurulum kılavuzu
Ayrılma Tipi Üniteleri

Türkçe

Εγχειρίδιο Εγκατάστασης
Διάρρηξη Τύπος Μονάδα

Ελληνικά

Manual De Instalação
Split Tipo Unidades

Português

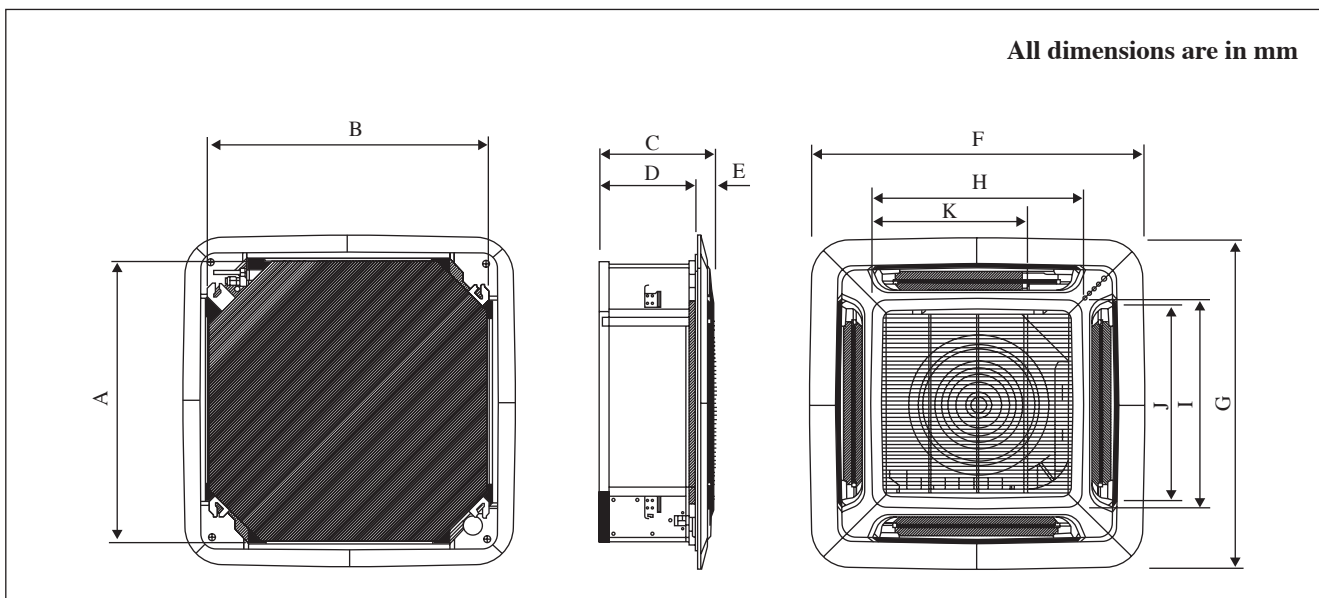
**IM-5CKYER-0411(1)-SIESTA
Part No.: R08019036183A**



OUTLINE AND DIMENSIONS

Indoor Unit ACQ 71 / 100 / 125 BV1

All dimensions are in mm



Dimension	A	B	C	D	E	F	G	H	I	J	K
Model											
ACQ 71 BV1	820	820	340	300	40	990	990	627	627	607	430
ACQ 100 BV1 / ACQ 125 BV1	820	820	375	335	40	990	990	627	627	607	430

English

Original Instruction

INSTALLATION MANUAL

This manual provides the procedures of installation to ensure a safe and good standard of operation for the air conditioner unit.

Special adjustment may be necessary to suit local requirement.

Before using your air conditioner, please read this instruction manual carefully and keep it for future reference.

This appliance is intended to be used by expert or trained users in shops, in light industry and on farms, or for commercial use by lay persons.

This appliance is not intended for use by persons, including children, with reduced physical, sensory or mental capabilities, or lack of experience and knowledge, unless they have been given supervision or instruction concerning use of the appliance by a person responsible for their safety.

Children should be supervised to ensure that they do not play with the appliance.





SAFETY PRECAUTIONS

WARNING

- Installation and maintenance should be performed by qualified persons who are familiar with local code and regulation, and experienced with this type of appliance.
- All field wiring must be installed in accordance with the national wiring regulation.
- Ensure that the rated voltage of the unit corresponds to that of the name plate before commencing wiring work according to the wiring diagram.
- The unit must be GROUNDED to prevent possible hazard due to insulation failure.
- All electrical wiring must not touch the refrigerant piping, or any moving parts of the fan motors.
- Confirm that the unit has been switched OFF before installing or servicing the unit.
- Disconnect from the main power supply before servicing the air conditioner unit.
- DO NOT pull out the power cord when the power is ON. This may cause serious electrical shocks which may result in fire hazards.
- Keep the indoor and outdoor units, power cable and transmission wiring, at least 1m from TVs and radios, to prevent distorted pictures and static. {Depending on the type and source of the electrical waves, static may be heard even when more than 1m away}.

CAUTION

Please take note of the following important points when installing.

- Do not install the unit where leakage of flammable gas may occur.
 -  If gas leaks and accumulates around the unit, it may cause fire ignition.
- Ensure that drainage piping is connected properly.
 -  If the drainage piping is not connected properly, it may cause water leakage which will dampen the furniture.
- Do not overcharge the unit.
 -  This unit is factory pre-charged. Overcharge will cause over-current or damage to the compressor.
- Ensure that the unit's panel is closed after service or installation.
 -  Unsecured panels will cause the unit to operate noisily.
- Sharp edges and coil surfaces are potential locations which may cause injury hazards.

Avoid from being in contact with these places.
- Before turning off the power supply, set the remote controller's ON/OFF switch to the "OFF" position to prevent the nuisance tripping of the unit. If this is not done, the unit's fans will start turning automatically when power resumes, posing a hazard to service personnel or the user.
- Do not operate any heating apparatus too close to the air conditioner unit. This may cause the plastic panel to melt or deform as a result of the excessive heat.
- Do not install the units at or near doorway.
- Do not operate any heating apparatus too close to the air conditioner unit or use in room where mineral oil, oil vapour or oil steam exist, this may cause plastic part to melt or deform as a result of excessive heat or chemical reaction.
- When the unit is used in kitchen, keep flour away from going into suction of the unit.
- This unit is not suitable for factory used where cutting oil mist or iron powder exist or voltage fluctuates greatly.
- Do not install the units at area like hot spring or oil refinery plant where sulphide gas exists.
- Ensure the color of wires of the outdoor unit and the terminal markings are same to the indoors respectively.
- **IMPORTANT: DO NOT INSTALL OR USE THE AIR CONDITIONER UNIT IN A LAUNDRY ROOM.**
- Don't use joined and twisted wires for incoming power supply.
- Avoid direct contact of any coil treatment cleaners on plastic part. This may cause plastic part to deform as a result of chemical reaction.
- For any enquiries on spare parts please contact your authorized dealer.
- The equipment is not intended for use in a potentially explosive atmosphere.

NOTICE

Disposal requirements

Your air conditioning product is marked with this symbol. This means that electrical and electronic products shall not be mixed with unsorted household waste.

Do not try to dismantle the system yourself: the dismantling of the air conditioning system, treatment of the refrigerant, of oil and of other parts must be done by a qualified installer in accordance with relevant local and national legislation.

Air conditioners must be treated at a specialized treatment facility for re-use, recycling and recovery. By ensuring this product is disposed of correctly, you will help to prevent potential negative consequences for the environment and human health. Please contact the installer or local authority for more information.

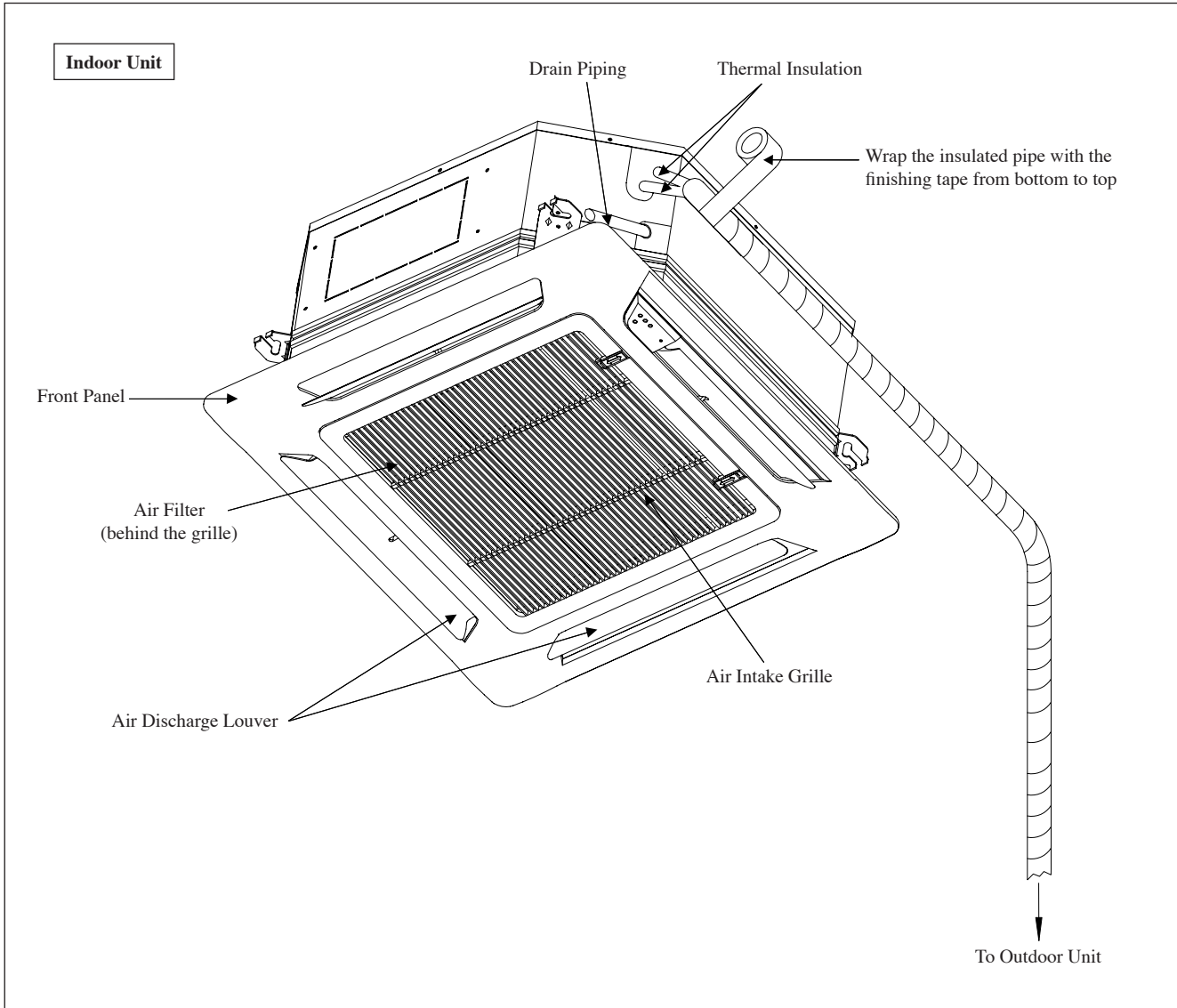
Batteries must be removed from the remote controller and disposed of separately in accordance with relevant local and national legislation.





INSTALLATION DIAGRAM

English

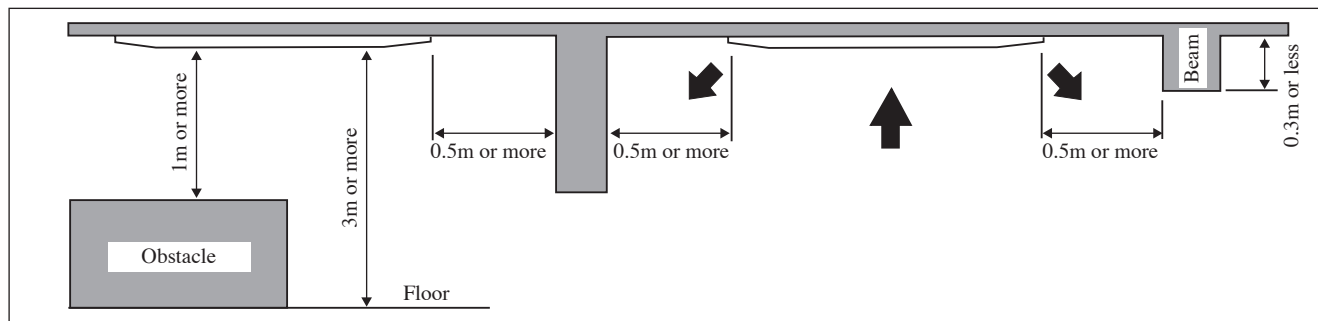


INSTALLATION OF THE INDOOR UNIT

Preliminary Site Survey

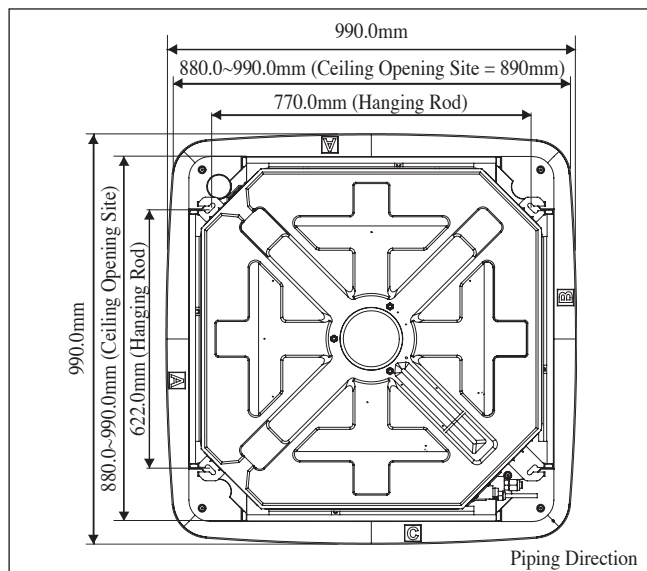
Be sure to read this manual before installing the air-conditioner indoor unit.

- Voltage supply fluctuation must not exceed $\pm 10\%$ of rated voltage. Electricity supply lines must be independent of welding transformers which can cause high supply fluctuation.
- Ensure that the location is convenient for wiring, piping and drainage.
- Do not exert pressure on the resin parts when opening the unit or when moving it after opening.
- Do not move the unit from packaging while moving, until it reaches the installation site. Use safe material or protection plates when unpacking it or lifting it to avoid damage or scratches to the unit.



- Ensure a location where:
 - a) Drainage can be done easily.
 - b) Convenient for wiring and piping.
 - c) Which have enough space for installation and service work.
 - d) Where no risk of flammable gas leakage.
 - e) When free from any obstacles in path of cool air discharge and warm air return and must allow spreading of air throughout the room (near the center of the room).
 - f) Must be provided clearance for indoor unit from the wall and obstacles as shown in figure below.
 - g) The installation place must be strong enough to support a load 4 times the indoor unit weight to avoid amplifying noise and vibration.
 - h) The installation place (hanging ceiling surface) must be assuring levelness and the height in the ceiling is 350mm or more.
 - i) The indoor unit must be away from heat and steam sources (avoid installing it near an entrance).

Unit Installation

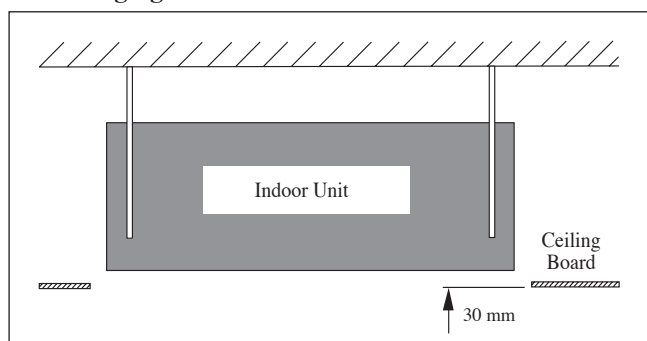


- Measure and mark the position for the hanging rod. Drill the hole for the angle nut on the ceiling and fix the hanging rod.
- The installation template is extended according to temperature and humidity. Check on dimensions in use.
- The dimensions of the installation template are the same as those of the ceiling opening dimensions.
- Before ceiling laminating work is completed, be sure to fit the installation template to the indoor unit.

NOTE

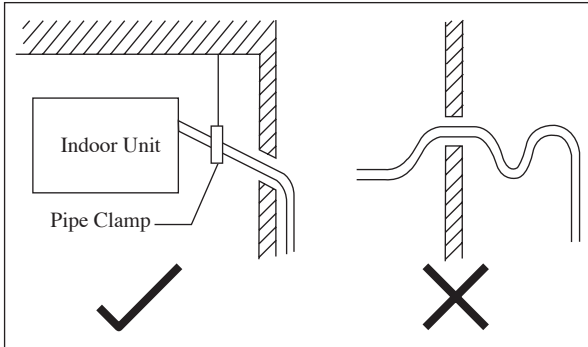
Be sure to discuss the ceiling drilling work with the installers concerned.

Unit Hanging



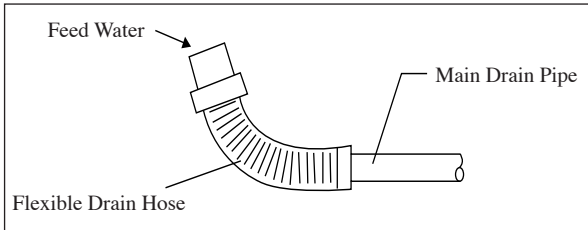
- Confirm the pitch of the hanging rod is 770mm \times 622mm sharp.
- Hold the unit and hang it on the hanging rod with the nut and washer.
- Adjust the unit height to 30mm between the indoor unit bottom surface and the ceiling surface.
- Confirm with a level gauge that the unit is installed horizontally and tighten the nut and bolt to prevent unit falling and vibration.
- Open the ceiling board along the outer edge of the paper installation template.

Drain Pump Work



- Drain pipe must be in downward gradient for smooth drainage.
- Avoid installing the drain pipe in up and down slope to prevent reversed water flow.
- During the drain pipe connection, be careful not to exert extra force on the drain connector at indoor unit.
- The outside diameter of the drain connection at the flexible drain hose is 20mm.
- Be sure to execute heat insulation (polyethylene foam with thickness more than 8.0mm) on the drain piping to avoid the condensed water dripping inside the room.

Drain Test



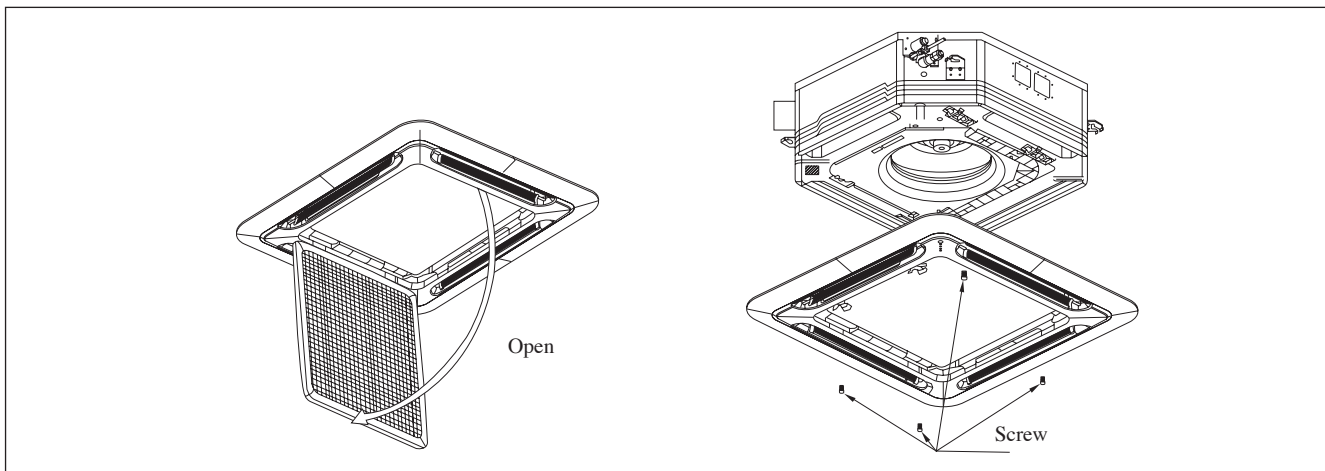
- Connect the main drain pipe to the flexible drain.
- Feed water from flexible drain hose to check the piping for leakage.
- When the test is completed, connect the flexible drain hose to the drain connector on the indoor unit.

NOTE

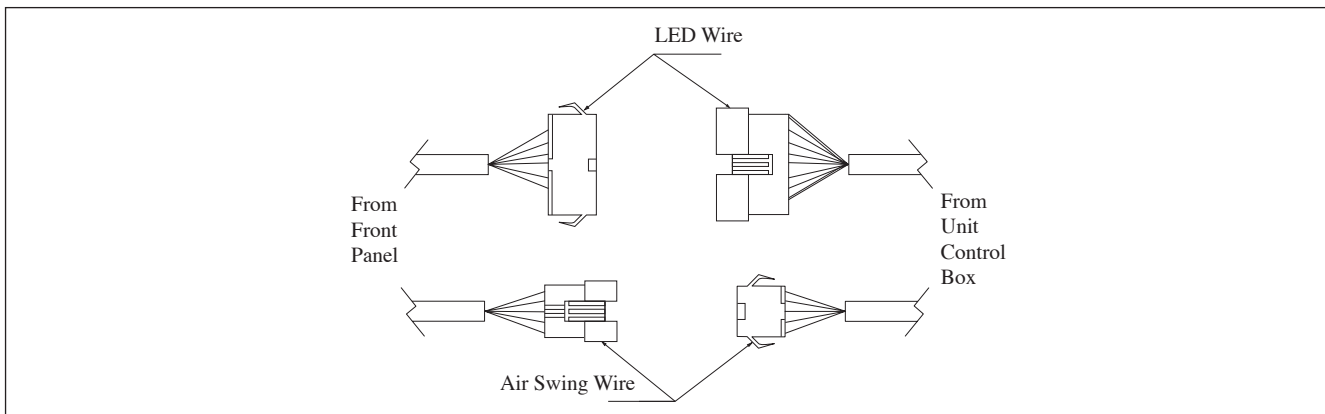
This Indoor Unit uses a drain pump for condensed water drainage. Install the unit horizontally to prevent water leakage or condensation around the air outlet.

Panel Installation

- The front panel can only be fitted in one direction, follow the piping direction. (Follow piping arrow sticker on front panel)
- Be sure to remove the installation template before installing the front panel.

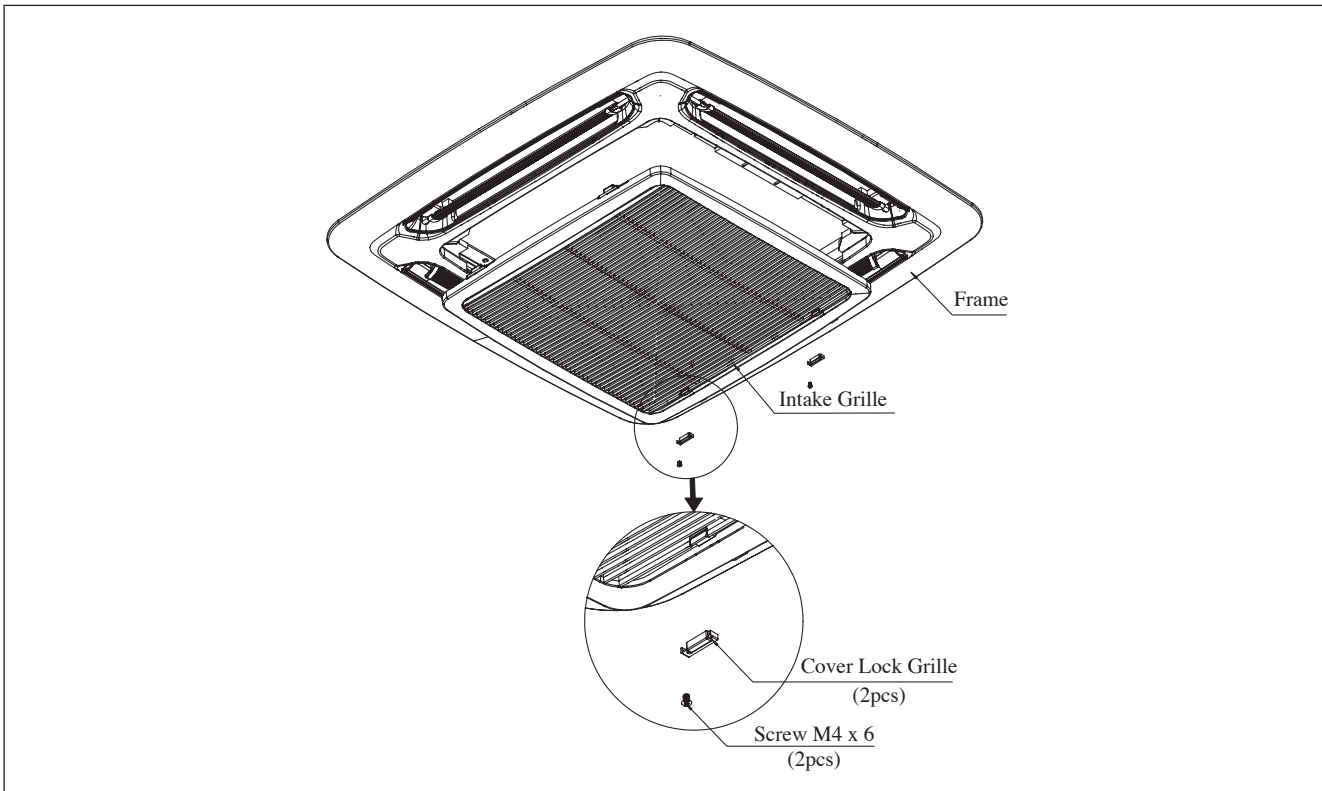


- Open the air intake grille by pulling back the catchers and removing it together with filter from panel.
- Install the front frame panel onto the indoor unit by 4 screws and tighten it completely to prevent cool air leakage.
- Connect the LED wire and air swing wire to the indoor unit.
- The air swing connector must put inside the control box after connected.



Cover Lock Grille (The moving part protection for user direct touching)

Cover lock grille must be installed as the figure below.



If the unit need to be service, steps below shall be followed:

1. Confirm that the unit had been switched off before servicing the unit.
2. Use screwdriver to unlock the screw on the cover lock grille.
3. Remove the cover lock grille and open the intake grille for the service purpose.
4. Install the intake grille and screw the cover lock grille after service and make sure the unit is proper install.

Wires Installation

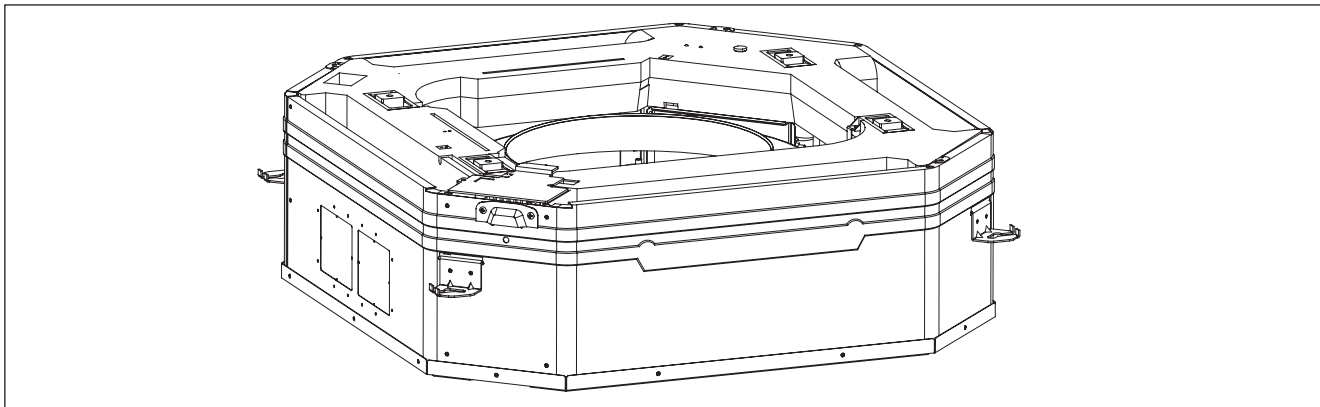


Figure 1

Figure 1 and Figure 2 shows the location of cover wire in Indoor unit.

Steps to install power supply wires and wires from outdoor unit.

1. Remove wire cover by removing 2 screws as shown in Figure 3.
2. Wires will go through the hole as shown in Figure 4 and 5 respectively without crossing the height of the hole.
3. After that, wire cover will be assembled back to close the wire.

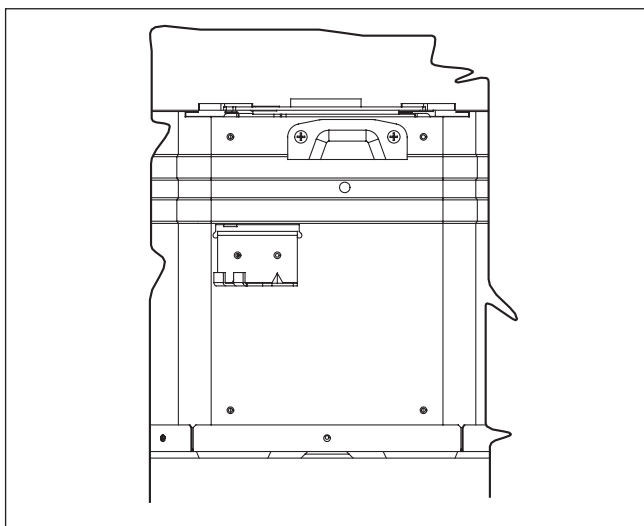


Figure 2

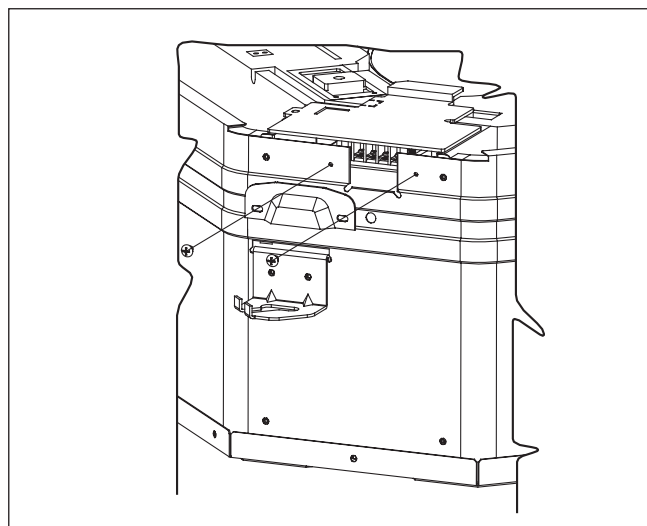


Figure 3

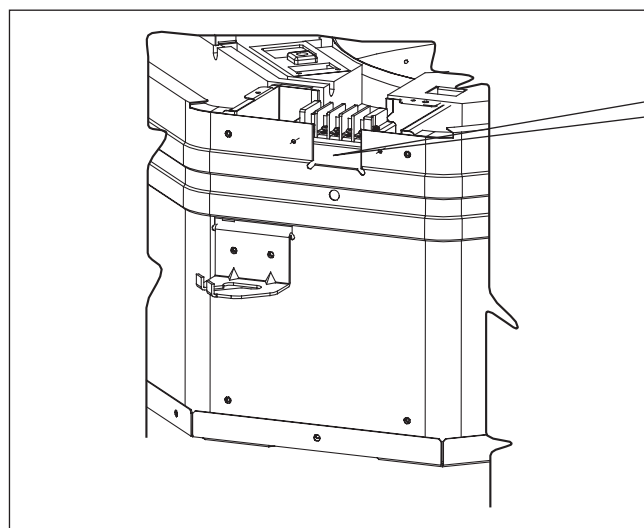


Figure 4

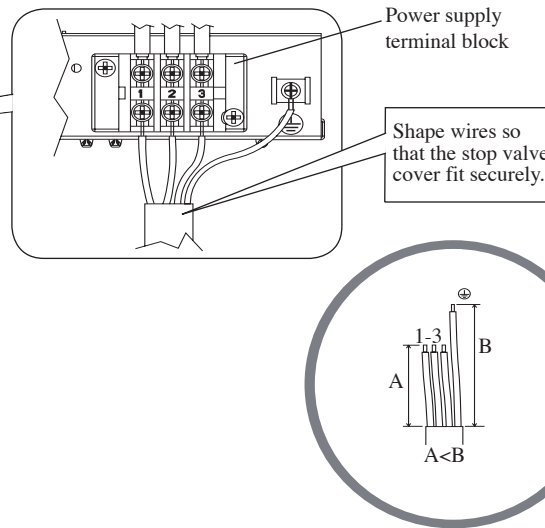


Figure 5

⚠ CAUTION

Do not install the unit at altitude over 2000m for both indoor and outdoor.

Piping Works And Flaring Technique

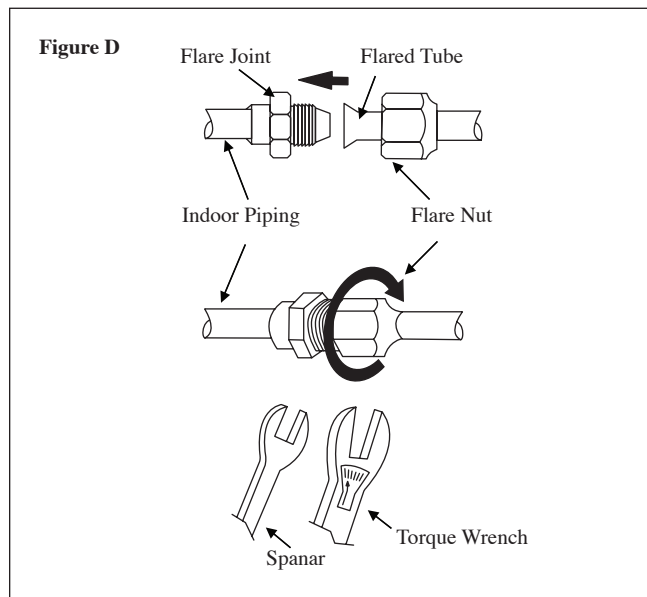
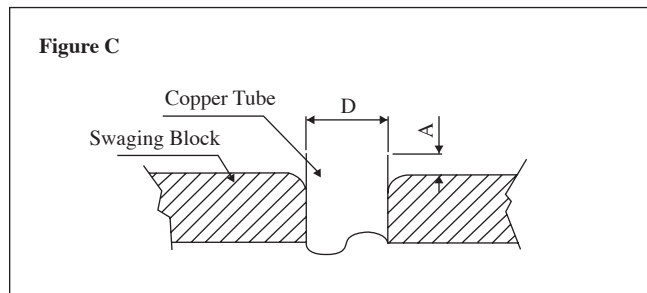
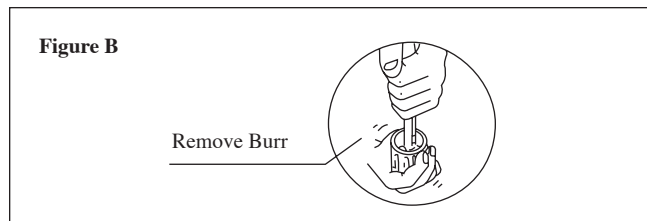
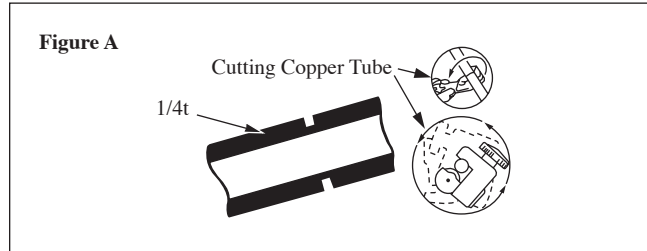
- Do not use contaminated or damaged copper tubing. If any pipings, evaporator or condenser had been exposed or had been opened for 15 seconds or more, the system must be vacuumed. Generally, do not remove plastic, rubber plugs and brass nuts from the valves, fittings, tubings and coils until it is ready to connect suction or liquid line into valves or fittings.
- If any brazing work is required, ensure that the nitrogen gas is passed through coil and joints while the brazing work is being done. This will eliminate soot formation on the inside walls of the copper tubings.
- Cut the pipe stage by stage, advancing the blade of the pipe cutter slowly. Extra force and deep cut will cause more distortion on the pipe and thus extra burr. See Figure A.
- Remove burrs from cut edges of the pipes with remover as shown in Figure B. This will avoid unevenness on the flare faces which will cause gas leak. Hold the pipe on top position and burr remover at lower position to prevent metal chips from entering the pipe.
- Insert the flare nuts, mounted on the connection parts of both the indoor unit and outdoor unit, into the copper pipes.
- The exact length of pipe protruding from the top surface of the swaging block is determined by the flaring tool. Refer Figure C.
- Fix the pipe firmly on the swaging block. Match the centers of both the flare die and the flaring punch, and then tighten the flaring punch fully.

Piping Connection To The Units

- Align the center of the piping and tighten the flare nut sufficiently with fingers. Refer Figure D.
- Finally, tighten the flare nut with the torque wrench until the wrench clicks.
- When tightening the flare nut with the torque wrench, ensure that the tightening direction follows the arrow indicated on the wrench.
- The refrigerant pipe connection are insulated by closed cell polyurethane.

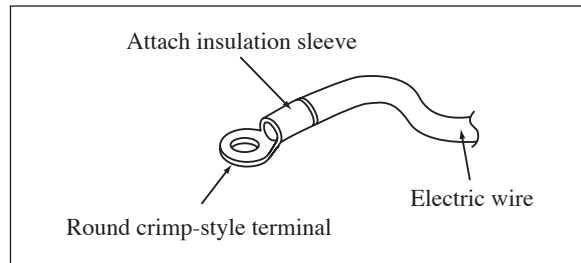
Pipe Size (mm/in)	Torque, Nm/(ft-lb)
6.35 (1/4")	18 (13.3")
9.52 (3/8")	42 (31.0")
12.70 (1/2")	55 (40.6")
15.88 (5/8")	65 (48.0")
19.05 (3/4")	78 (57.6")

Ø Tube, D		A (mm)	
Inch	mm	Imperial (Wing-nut Type)	Rigid (Clutch Type)
1/4"	6.35	1.3	0.7
3/8"	9.52	1.6	1.0
1/2"	12.70	1.9	1.3
5/8"	15.88	2.2	1.7
3/4"	19.05	2.5	2.0

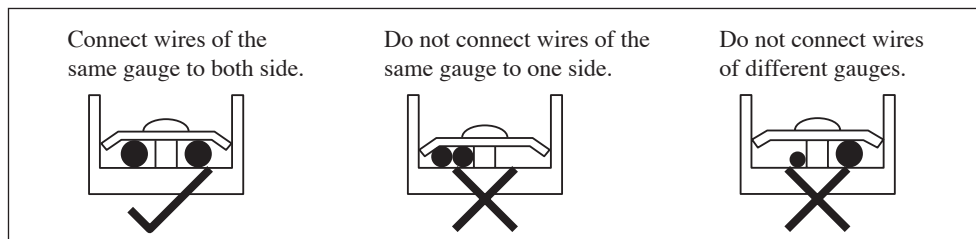




- All wires must be firmly connected.
- Make sure all the wire do not touch the refrigerant pipings, compressor or any moving parts.
- The connecting wire between the indoor unit and the outdoor unit must be clamped by using provided cord anchorage.
- The power supply cord must be equivalent to H07RN-F which is the minimum requirement.
- Make sure no external pressure is applied to the terminal connectors and wires.
- Make sure all the covers are properly fixed to avoid any gap.
- Use round crimp-style terminal for connecting wires to the power supply terminal block. Connect the wires by matching to the indication on terminal block. (Refer to the wiring diagram attached on the unit).



- Use the correct screwdriver for terminal screws tightening. Unsuitable screwdrivers can damage the screw head.
- Over tightening can damage the terminal screw.
- Do not connect wire of different gauge to same terminal.
- Keep wiring in an orderly manner. Prevent the wiring from obstructing other parts and the terminal box cover.



SPECIAL PRECAUTIONS WHEN DEALING WITH R410A UNIT

R410A is a new HFC refrigerant which does not damage the ozone layer. The working pressure of this new refrigerant is 1.6 times higher than conventional refrigerant (R22), thus proper installation / servicing is essential.

- Never use refrigerant other than R410A in an air conditioner which designed to operate with R410A.
- POE or PVE oil is used as lubricant for R410A compressor, which is different from the mineral oil used for R22 compressor. During installation or servicing, extra precaution must be taken not to expose the R410A system too long to moist air. Residual POE or PVE oil in the piping and components can absorb moisture from the air.
- To prevent mischarging, the diameter of the service port on the flare valve is different from that of R22.
- Use tools and materials exclusively for refrigerant R410A. Tools exclusively for R410A are manifold valve, charging hose, pressure gauge, gas leak detector, flare tools, torque wrench, vacuum pump and refrigerant cylinder.
- As an R410A air conditioner incurs higher pressure than R22 units, it is essential to choose the copper pipes correctly. Never use copper pipes thinner than 0.8mm even though they are available in the market.
- If the refrigerant gas leakage occurs during installation / servicing, be sure to ventilate fully. If the refrigerant gas comes into contact with fire, a poisonous gas may occur.
- When installing or removing an air conditioner, do not allow air or moisture to remain in the refrigerant cycle.



VACUUMING AND CHARGING

Vacuumping is necessary to eliminate all moisture and air from the system.

Vacuumping The Piping And The Indoor Unit

The indoor unit and the refrigerant connection pipes must be air-purged because the air containing moisture that remains in the refrigerant cycle may cause malfunction of the compressor.

- Remove the caps from the valve and the service port.
- Connect the center of the charging gauge to the vacuum pump.
- Connect the charging gauge to the service port of the 3-way valve.

- Start the vacuum pump. Evacuate for approximately 30 minutes. The evacuation time varies with different vacuum pump capacity. Confirm that the charging gauge needle has moved towards -760mmHg.

Caution

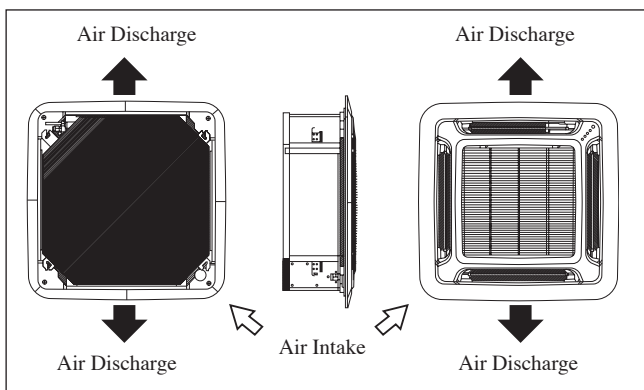
- If the gauge needle does not move to -760mmHg, be sure to check for gas leaks (using the refrigerant detector) at flare type connection of the indoor and outdoor unit and repair the leak before proceeding to the next step.
- Close the valve of the changing gauge and stop the vacuum pump.

ACCESSORY PARTS

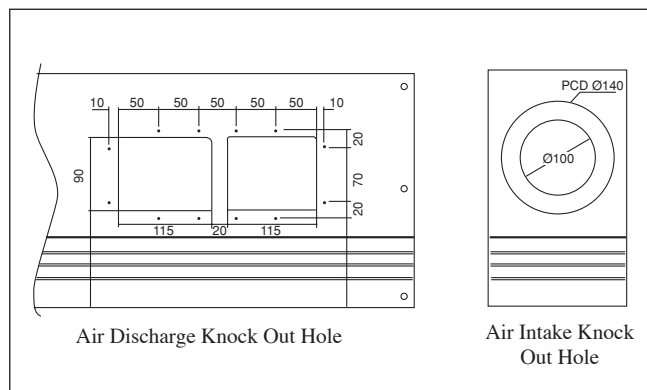
Short Duct Specification

- The indoor unit is provided with air discharge and air intake “knock-out” hole for duct connection. However the connection of the short duct for air discharge is possible on only one side.
- The use of short duct for air discharge will improve airflow distribution if there is an obstruction (such as a lighting fixture) or in a long, narrow room or an L-shaped room. It also use for air conditioning of two rooms simultaneously.

Possible Direction For Air Discharge And Air Intake



Possible Opening Dimension For Duct Connection



NOTE

- Avoid using the short duct on which the air discharge grille can be completely closed, to prevent evaporator freezing.
- In order to prevent condensation forming, be sure that there is sufficient thermal insulation and no leakage of cool air when installing the short duct.
- Keep the introduction of fresh air intake within 20% of total air flow. Also provide chamber and use booster fan.

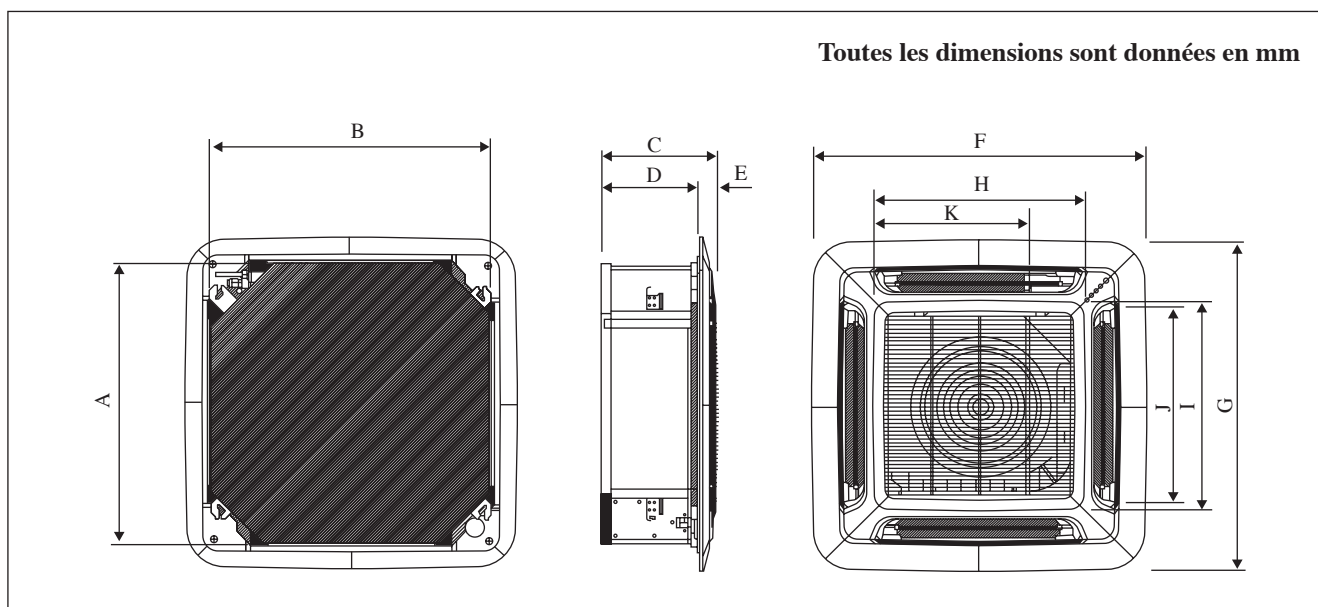
Sealing Material

- It is possible to seal one of the four air discharge outlet. (sealing two or more air discharge outlet could cause a malfunction)
- Remove the front panel and insert the sealing material into the air discharge outlet on the indoor unit to seal the air outlet.
- The sealing material is the same length as the longer air discharge outlet. If it is desired to seal the shorter air discharge outlet, cut the sealing material to shorten it.
- Push the sealing material in about 10 mm beyond the bottom surface of the indoor unit so that it does not touch the air louver. Be sure not to push the sealing material in any farther than about 10mm.

CONTOUR ET DIMENSIONS

Unité Intérieure ACQ 71 / 100 / 125 BV1

Toutes les dimensions sont données en mm



Dimension Modèle	A	B	C	D	E	F	G	H	I	J	K
ACQ 71 BV1	820	820	340	300	40	990	990	627	627	607	430
ACQ 100 BV1 / ACQ 125 BV1	820	820	375	335	40	990	990	627	627	607	430

Français

Traduction des instructions d'origine

MANUEL D'INSTALLATION

Ce manuel fournit les procédures d'installation pour assurer le bon fonctionnement et la sécurité de cet appareil.

Des ajustements peuvent être nécessaires pour suivre les réglementations locales.

Avant d'installer et de faire fonctionner le climatiseur, lisez attentivement ce manuel et conservez-le.

Cet appareil est destiné à être utilisé par des utilisateurs experts ou formés dans les magasins, dans l'industrie légère ou dans les fermes, ou pour un usage commercial par des personnes non spécialisées.

Cet appareil n'est pas destiné à être utilisé par des personnes, y compris les enfants, souffrant de capacités physiques, sensorielles ou mentales réduites, ou accusant un manque d'expérience et de connaissances, sauf si elles sont supervisées ou ont reçu des instructions concernant l'emploi de cet appareil d'une personne responsable de leur sécurité.

Les enfants doivent être supervisés pour s'assurer qu'ils ne jouent pas avec l'appareil.

PRÉCAUTIONS DE SÉCURITÉ

⚠ ATTENTION

- L'installation et la maintenance doivent être exécutées par une personne qualifiée qui est familiarisée avec les lois et réglementations en vigueur, et aussi expérimentée dans ce type d'équipements.
- Tous les câblages doivent répondre aux réglementations électriques nationales.
- Avant de commencer le raccordement suivant le schéma électrique, s'assurer que la tension nominale de l'appareil correspond bien à celle indiquée sur la plaque signalétique.
- L'unité doit être raccordée à la TERRE pour prévenir tous les risques possibles dus à un défaut d'isolation.
- Aucun câble électrique ne doit toucher la tuyauterie du réfrigérant, le compresseur ou les pièces mobiles des moteurs de ventilation.
- Avant l'installation ou l'entretien du climatiseur, s'assurer que l'appareil est éteint (OFF).
- Débrancher l'appareil du circuit d'alimentation secteur avant de procéder à l'entretien du climatiseur.
- NE PAS retirer le câble d'alimentation électrique de la prise quand l'appareil est sous branché. Il peut en résulter des décharges électriques importantes susceptibles de provoquer un incendie.
- Les unités intérieures et extérieures, le cordon d'alimentation et le câblage de transmission doivent rester à une distance d'au moins 1m des téléviseurs et des radios, ce afin d'éviter les images déformées et les parasites. {En fonction du type et de la source des ondes électriques, des parasites peuvent être entendus même avec une distance supérieure à 1m}.

⚠ AVERTISSEMENT

- Vérifier les points suivants au cours de l'installation.
- Ne pas installer l'appareil où il peut se produire des fuites de gaz inflammable.
 - ⊘ En cas de fuite et accumulation de gaz autour de l'appareil, il y a un risque d'incendie.
- S'assurer que le tuyau d'évacuation du condensat est correctement branché.
 - ⚠ Si le tuyau d'évacuation n'est pas correctement branché, les éventuelles fuites d'eau risquent de mouiller le mobilier.
- Ne pas surcharger l'unité (en fluide frigorigène).
 - ⊘ Cet appareil est préchargé en usine.
 - ⊘ Une charge trop importante risque de provoquer une surcharge électrique ou d'endommager le compresseur.
- S'assurer que le panneau supérieur de l'appareil est remis en place après l'installation ou l'entretien.
 - ⚠ Avec un panneau mal fixé l'appareil va fonctionner bruyamment.
- Les bords coupants et les surfaces du refroidisseur tuyaillaire présentent un risque de blessure.
- Mieux vaut éviter le contact avec ces endroits.
- Avant de couper l'alimentation électrique, veiller à ce que l'interrupteur ON/OFF de la télécommande soit en position « OFF » afin d'éviter une mise en marche intempestive de l'appareil. Si l'interrupteur de la télécommande n'est pas en position « OFF », les ventilateurs de l'appareil se mettent en marche dès que l'alimentation électrique est rétablie. Il peut en résulter un danger pour le personnel d'entretien ou l'utilisateur.
- Ne pas utiliser d'appareil de chauffage trop près du climatiseur. Une chaleur excessive peut déformer ou faire fondre le boîtier de plastique.
- Ne pas installer les appareils à proximité ou près d'un passage de porte.
- Ne pas utiliser un appareil de chauffage trop près d'une unité de climatisation ou l'utiliser dans une pièce où, de l'huile minérale ou de la vapeur d'huile existent, cela peut faire fondre ou se déformer les pièces en plastique en raison de la chaleur excessive ou de réaction chimique.
- Lorsque l'appareil est utilisé dans la cuisine, le garder loin de la farine qui peut aller dans d'aspiration de l'appareil.
- Cet appareil n'est pas approprié pour une utilisation en usine lorsqu'un brouillard d'huile de coupe ou de la poudre de fer existe ou bien quand la tension fluctue grandement.
- Ne pas installer les unités à des endroits comme une source d'eau chaude ou une raffinerie de pétrole où des gaz sulfureux existent.
- S'assurer que la couleur des câbles de l'unité extérieure et les marquages de bornes sont identiques à ceux de l'unité intérieure.
- **IMPORTANT : NE PAS INSTALLER OU UTILISER LE CLIMATISEUR DANS UNE BUANDERIE.**
- N'utilisez pas de câbles joints et torsadés pour l'alimentation électrique entrante.
- Évitez d'appliquer directement des produits de nettoyage et de traitement pour bobines sur les pièces en plastique. Une réaction chimique pourrait se produire et déformer les pièces en plastique.
- Pour tout renseignement concernant les pièces détachées, contacter votre revendeur agréé.
- L'équipement n'est pas conçu pour une utilisation dans une atmosphère potentiellement explosive.

AVIS

Instructions d'élimination

Cet appareil de conditionnement d'air porte le symbole ci-joint. Ce symbole signifie que les appareils électriques et électroniques doivent être éliminés séparément des ordures ménagères non triées.

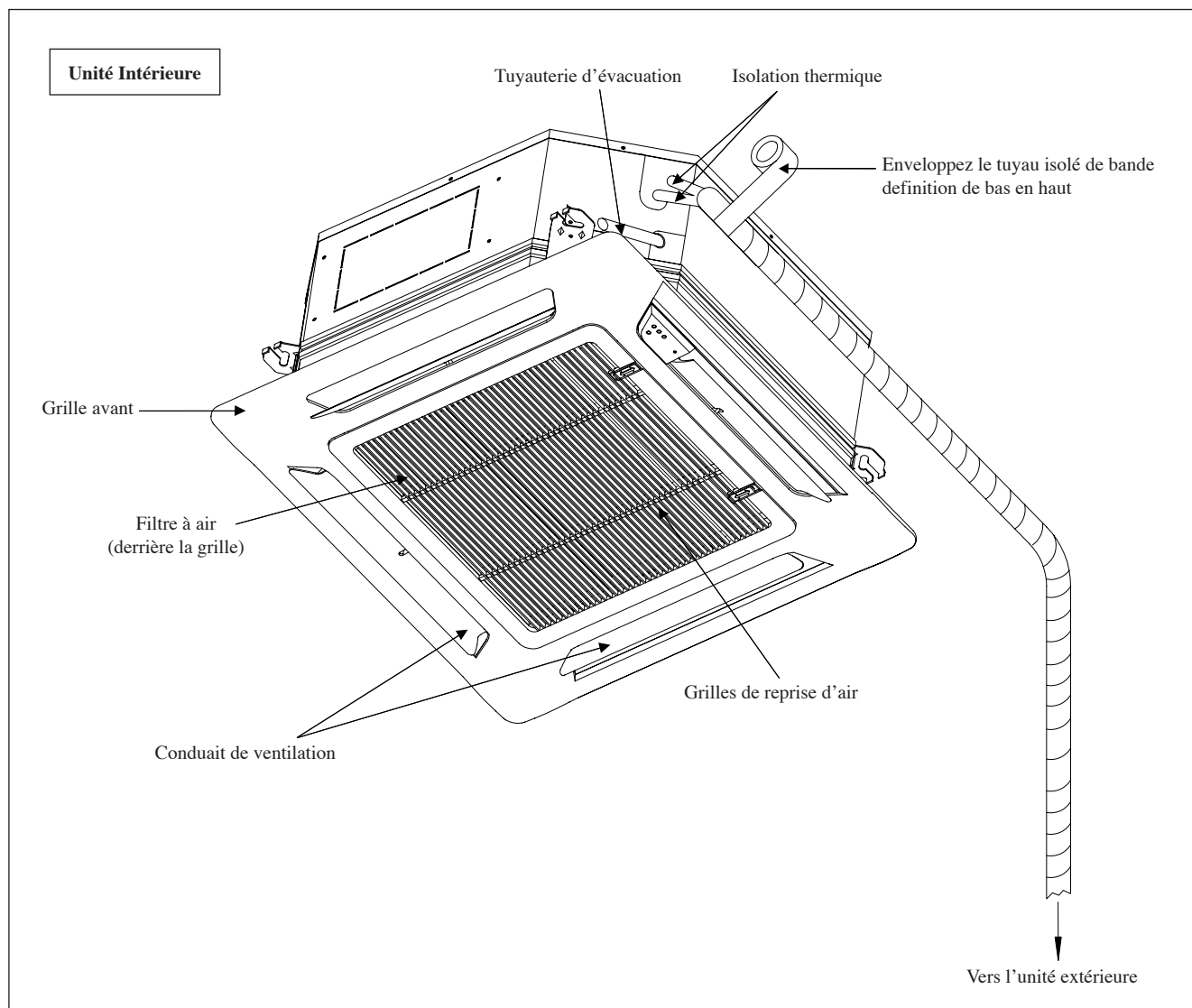
N'essayez pas de démonter vous-même l'appareil : le démontage de l'appareil de conditionnement d'air ainsi que le traitement du réfrigérant, de l'huile et d'autres composants doivent être effectués par un installateur qualifié, en accord avec les réglementations locales et nationales en vigueur.

Les appareils de conditionnement d'air doivent être traités dans des installations spécialisées de dépannage, réutilisation ou recyclage. En vous assurant que cet appareil est éliminé correctement, vous contribuez à éviter les conséquences potentiellement néfastes sur l'environnement et la santé. Veuillez contacter votre installateur ou les autorités locales pour plus d'information.

Les piles de la télécommande doivent être enlevées et éliminées séparément, conformément aux réglementations locales et nationales en vigueur.



DIAGRAMME D'INSTALLATION

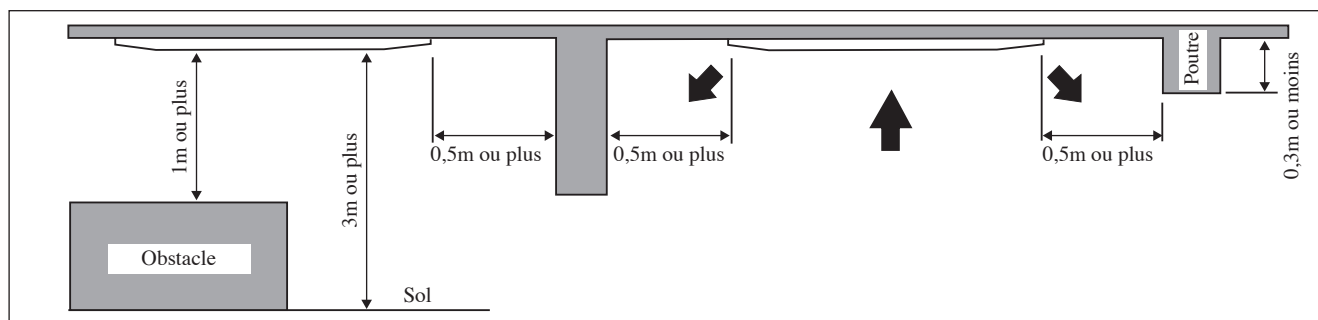


INSTALLATION DE L'UNITÉ INTÉRIEURE

Etude Préliminaire Du Site

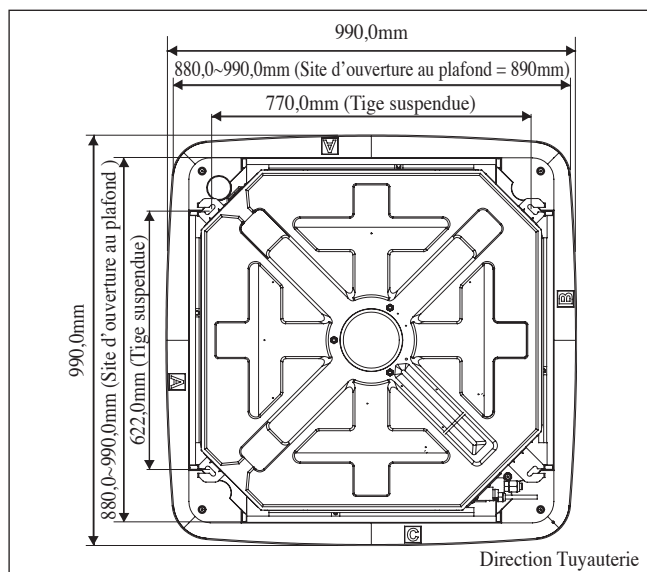
Veillez à lire ce manuel avant d'installer l'unité de climatisation intérieure.

- La fluctuation de l'alimentation secteur ne doit pas dépasser $\pm 10\%$ de la tension nominale. Les lignes d'alimentation électrique doivent être indépendantes des transformateurs de soudage qui pourraient provoquer de fortes fluctuations d'alimentation.
- Assurez-vous que l'emplacement est pratique pour les câblages, la tuyauterie et l'évacuation.
- N'exercez pas de pression sur les pièces en résine pour ouvrir l'unité ou lors de son déplacement après l'ouverture.
- Ne sortez pas l'unité de son emballage avant qu'elle ne soit sur son site d'installation. Utilisez des matériaux ou des plaques de protection lors du déballage ou du soulèvement de l'unité afin d'éviter de l'endommager ou de la rayer.



- Choisissez un emplacement:
 - a) Qui permet une évacuation facile.
 - b) Pratique pour le câblage et les tuyauteries.
 - c) Assez dégagé pour l'installation et l'entretien.
 - d) Exempt de risque de fuite de gaz inflammable.
 - e) Où aucun obstacle ne bloque le jet d'air froid et la reprise de l'air chaud, et où l'air peut se répandre dans la pièce (près du centre de la pièce).
 - f) Un espace de dégagement doit être respecté entre l'unité intérieure et les murs et obstacles comme le montre l'illustration.
 - g) L'endroit d'installation doit être assez fort pour supporter une charge quatre fois supérieure au poids de l'unité intérieure pour éviter l'amplification du bruit et des vibrations.
 - h) L'endroit d'installation (surface du plafond) doit être plane et la hauteur du plafond d'au moins 350mm.
 - i) L'unité intérieure doit être à l'écart de sources de chaleur ou de vapeur (évitiez de l'installer près d'une entrée).

Installation de l'unité

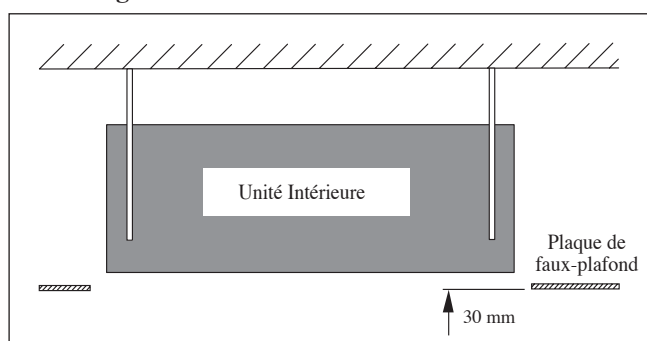


- Mesurez et marquez l'emplacement de la tige suspendue. Percez un trou pour l'écrou d'angle dans le plafond et fixez la tige suspendue.
- Le gabarit d'installation est allongé selon la température et l'humidité. Vérifiez les dimensions utilisées.
- Les dimensions du gabarit d'installation sont les mêmes que celles des dimensions de l'ouverture du plafond.
- Lorsque le travail de stratification du plafond n'est pas terminé, veillez à fixer le gabarit d'installation sur l'unité intérieure.

REMARQUE

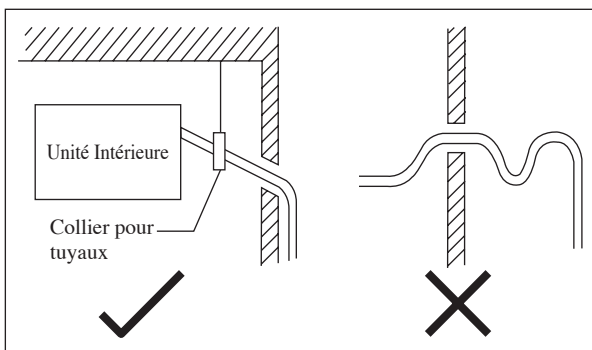
Assurez-vous de discuter le perçage du plafond avec les installateurs.

Accrochage de l'unité



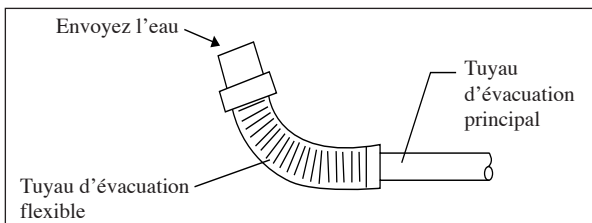
- Assurez-vous que l'inclinaison de la tige suspendue est de 770mm x 622mm.
- Maintenez l'unité et accrochez-la à la tringle d'accrochage à l'aide des écrous et des joints.
- Laissez un espace de 30 mm entre la surface inférieure de l'unité intérieure et la surface du plafond.
- À l'aide d'un indicateur de niveau, assurez-vous que l'unité est installée horizontalement et serrez l'écrou et le boulon pour empêcher que l'unité ne tombe et ne vibre.
- Ouvrez le coffrage du plafond le long du bord extérieur du gabarit d'installation en papier.

Tuyauterie d'évacuation



- Le tuyau d'évacuation doit être incliné vers le bas pour une évacuation facile.
- Evitez de positionner le tuyau vers le haut puis vers le bas afin d'éviter que le flux d'eau ne soit inversé.
- Lorsque vous connectez les tuyaux d'évacuation, assurez-vous de ne pas exercer de pression supplémentaire sur le connecteur de l'unité intérieure.
- Le diamètre extérieur du connecteur de drainage au tuyau flexible est de 20mm.
- Assurez-vous d'isoler le tuyau d'évacuation contre la chaleur (mousse en polyéthylène de plus de 8,0mm d'épaisseur) afin d'éviter que l'eau condensée ne goutte à l'intérieur de la pièce.

Test d'évacuation



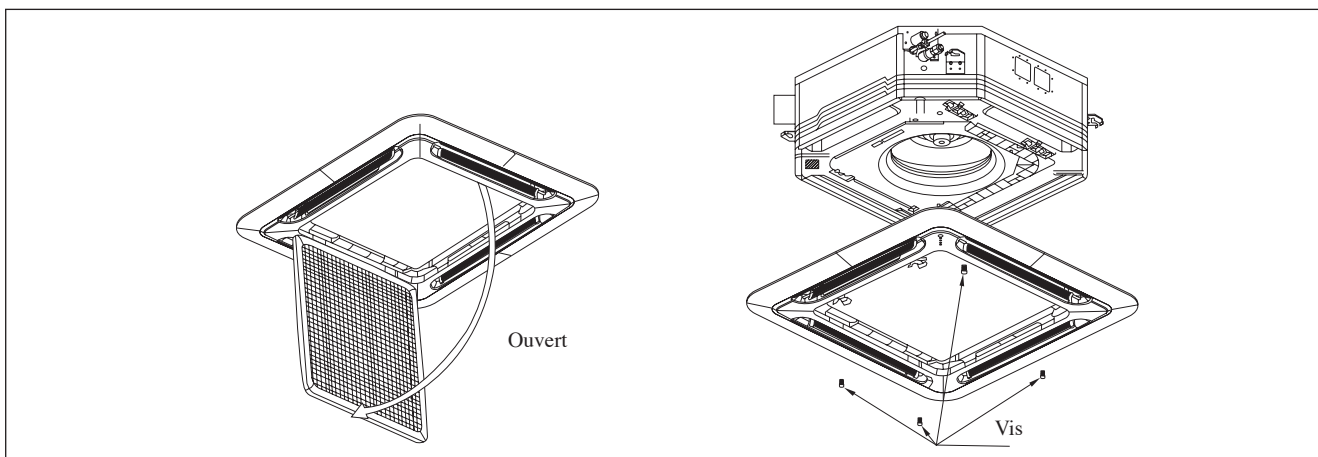
- Connectez le tuyau d'évacuation principal au tuyau d'évacuation flexible.
- Envoyez de l'eau dans le tuyau d'évacuation flexible et vérifiez qu'il n'y a pas de fuite dans la tuyauterie.
- Lorsque le test est terminé, connectez le tuyau flexible au connecteur d'évacuation sur l'unité intérieure.

REMARQUE

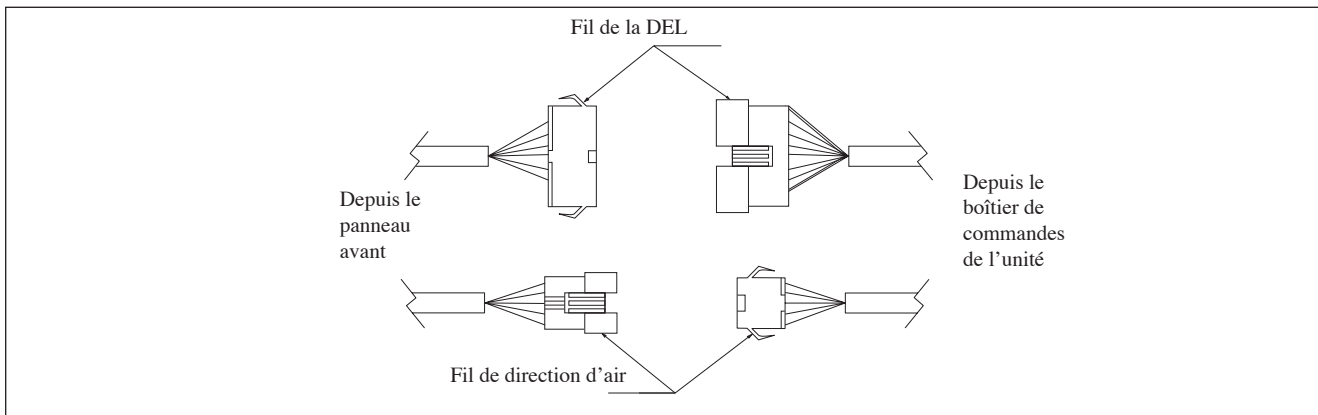
Cette Unité Intérieure utilise une pompe d'évacuation pour l'évacuation de l'eau condensée. Installez l'unité horizontalement pour éviter que l'eau ne fuie ou ne se condense autour du déflecteur extérieur.

Installation du panneau

- Le panneau avant ne tient que dans un sens, suivez la direction de la tuyauterie. (Suivez le sens de la flèche de l'autocollant sur le panneau avant)
- Assurez-vous d'ôter le gabarit d'installation avant d'installer le panneau avant.

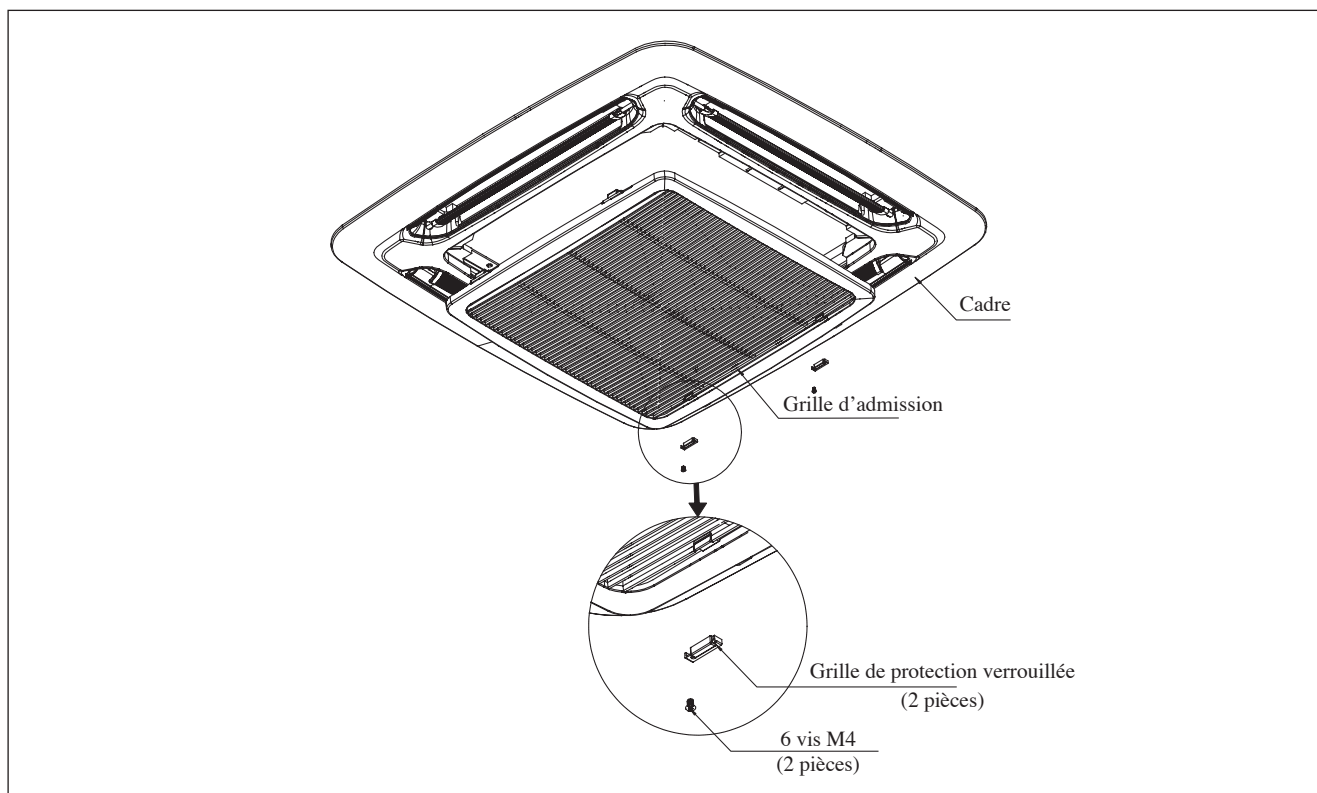


- Ouvrez la grille d'aspiration d'air en tirant le dispositif de prise de griffes et ôtez-la avec le filtre.
- Installez le panneau du cadre avant sur l'unité intérieure à l'aide de 4 vis et serrez-les complètement pour éviter que l'air froid ne s'échappe.
- Connectez le fil du voyant DEL et le fil de direction d'air à l'unité intérieure.
- Le connecteur de direction d'air doit être placé à l'intérieur de l'armoire de commande après la connexion.



Grille de protection verrouillée (Protection des pièces mobiles pour éviter le contact direct de l'utilisateur)

La grille de protection verrouillée doit être installée comme sur le schéma ci-dessous.



Si l'unité nécessite un entretien, les étapes ci-dessous doivent être suivies:

1. Assurez-vous que l'unité est hors tension avant d'entretenir l'unité.
2. Utilisez un tournevis pour retirer les vis de la grille de protection verrouillée.
3. Retirez la grille de protection verrouillée et ouvrez la grille d'admission pour l'entretien.
4. Installez la grille d'admission et vissez la grille de protection verrouillée après l'entretien, et vérifiez la bonne installation de l'unité.

Installation des fils

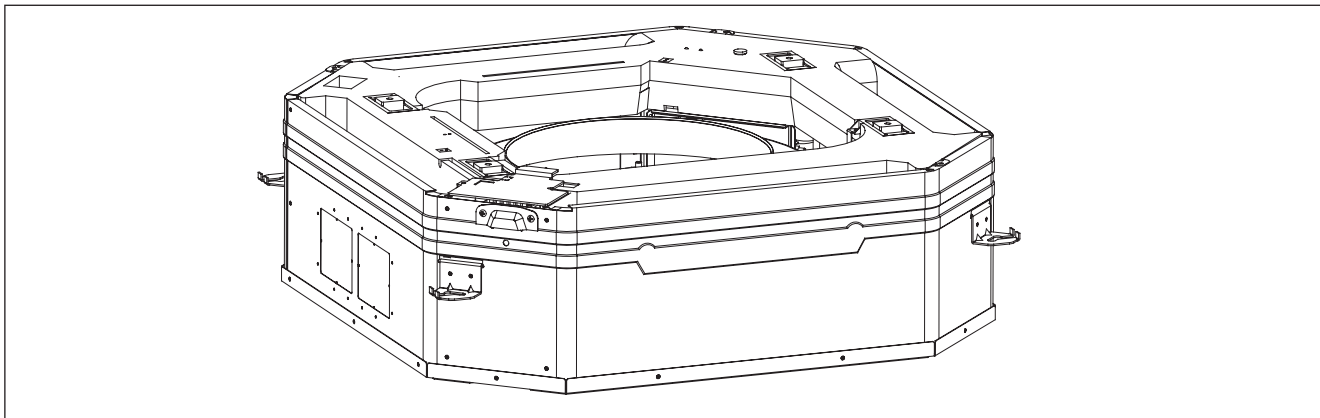


Schéma 1

Le schéma 1 et le schéma 2 montrent l'emplacement du couvercle des fils dans l'unité intérieure.
Étapes d'installation des fils d'alimentation et des fils partant de l'unité extérieure.

1. Retirez le boîtier des fils en ôtant les 2 vis, comme sur le schéma 3.
2. Les fils passeront à travers le trou, comme montré dans les Schémas 4 et 5, sans occuper toute la hauteur du trou.
3. Ensuite, le boîtier des fils sera remis en place pour fermeture.

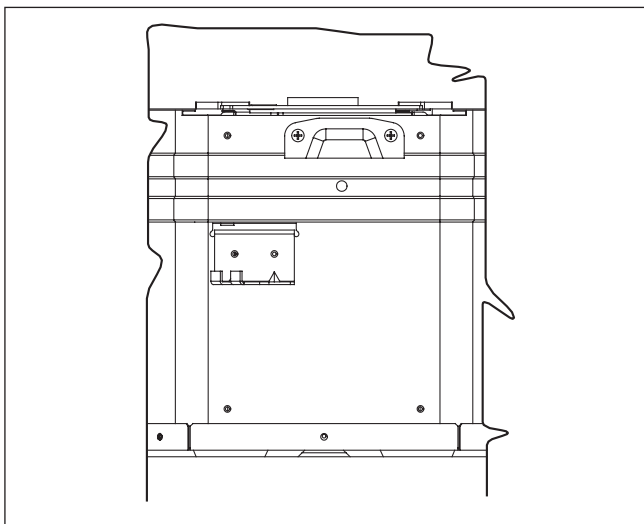


Schéma 2

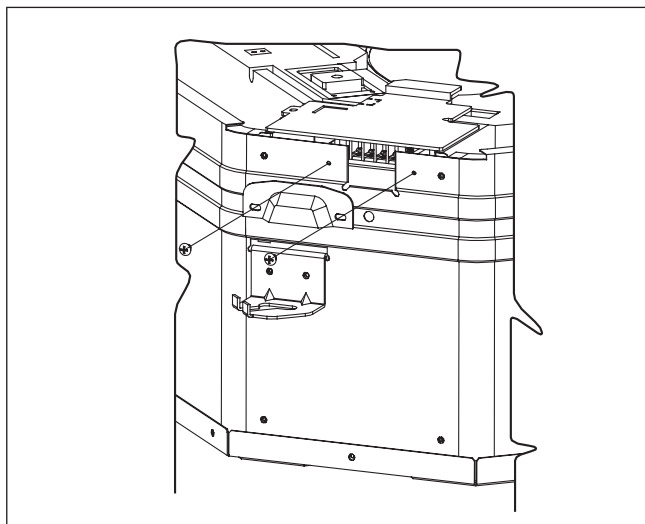


Schéma 3

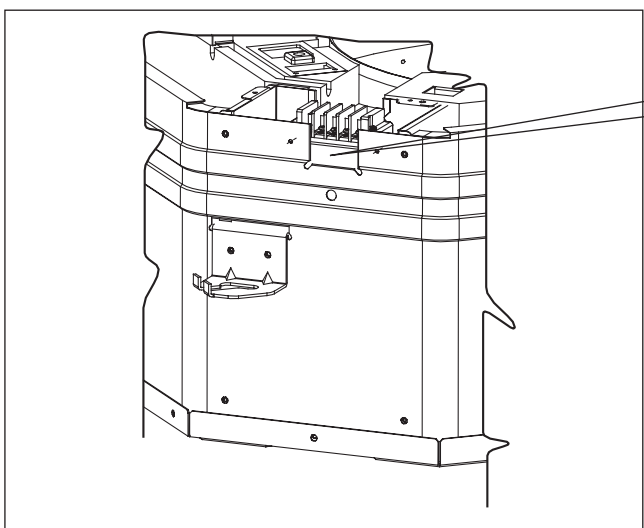


Schéma 4

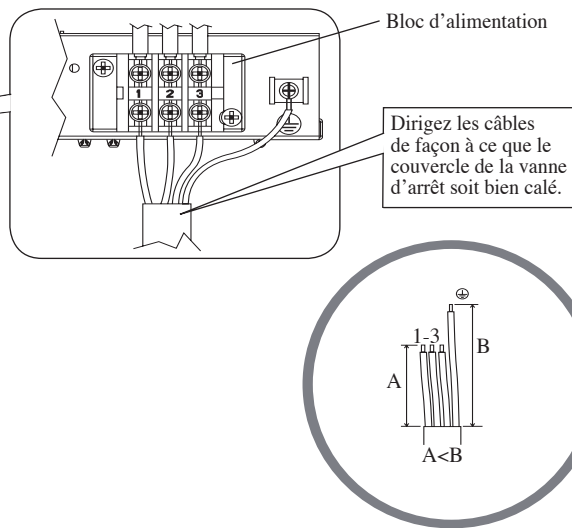


Schéma 5

⚠ AVERTISSEMENT

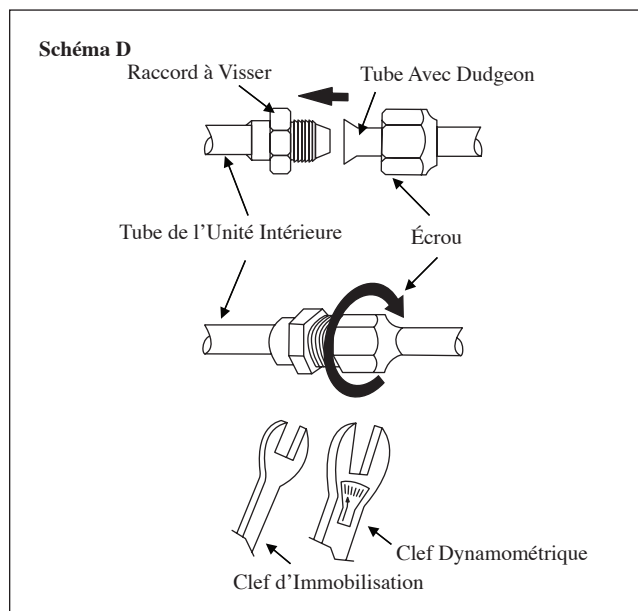
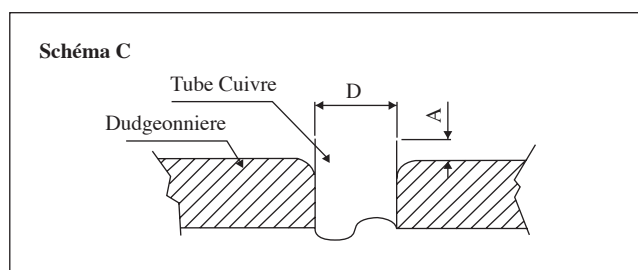
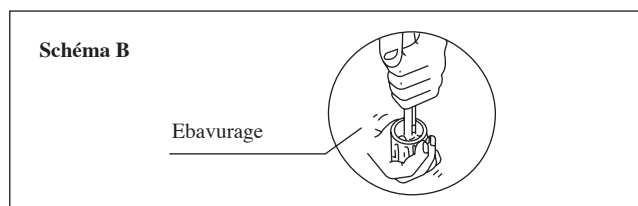
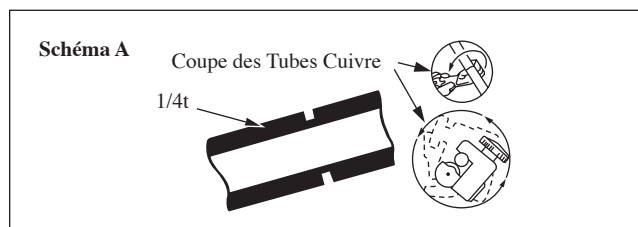
N'installez pas l'unité, intérieure comme extérieure, à une altitude supérieure à 2000m.

Travail Des Tuyaueries Et Technique Flare

- Ne pas utiliser de tuyauteries en cuivre encrassé ou endommagé. Si de la tuyauterie, un évaporateur ou un condensateur a été exposé ou a été ouvert pendant 15 secondes ou plus, le système doit être mis sous vide. D'une manière générale, ne pas retirer les bouchons en plastique ou caoutchouc et les écrous en laiton des vannes, raccords, tubes et serpentins jusqu'à ce que les tuyauteries d'aspiration ou de liquide soient prêtes à être raccordées aux vannes ou raccords.
- Si l'on doit effectuer un travail de soudage, s'assurer que l'azote passe par les serpentins et les joints durant le travail du soudage. Cela éliminera la formation de suie sur les parois internes des tuyauteries de cuivre.
- Couper les tuyaux progressivement, en faisant avancer la lame du coupe-tube lentement. Une force supplémentaire ou une coupe profonde vont déformer le tube davantage et ainsi causer plus de bavures. Voir Schéma A
- Ebarber les bords coupés des tubes à l'aide d'un alésoir, comme le montre la Schéma B, pour éviter toutes irrégularités sur les faces évasées, qui risqueraient de causer des fuites de gaz. Tenir le tuyau en haut et l'ébarbeur à une position plus basse pour éviter que des morceaux de métal n'entrent dans le tuyau.
- Relier les écrous flare montés sur les connexions des unités intérieure et extérieure aux tubes de cuivre.
- La longueur exacte de tube dépassant de la dudgonnière dépend du type de dudgonnière utilisé. Voir la Schéma C.
- Placer le tube fermement dans la dudgeonnière. Aligner les centres du moule arrondi et du poinçon d'évasement, puis serrer totalement le poinçon d'évasement.

Raccordement de la tuyauterie aux unités

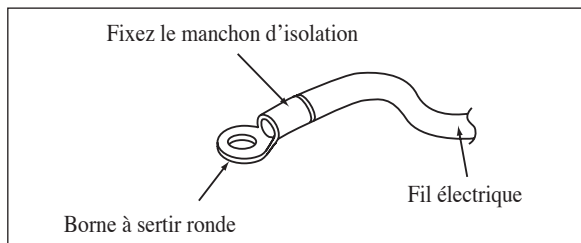
- Aligner le centre de la tuyauterie et serrer assez fort le raccord conique à la main. Voir la Schéma D.
- Enfin, serrer l'écrou à l'aide d'une clef dynamométrique jusqu'au clic.
- En serrant l'écrou avec la clef dynamométrique, veiller à respecter le sens de la flèche indiqué sur la clef.
- Le raccordement du tuyau de réfrigérant doit être isolé par du polyuréthane à cellules fermées.



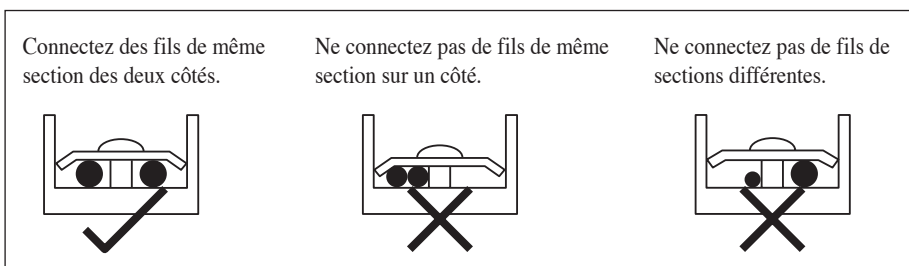
Tuyau (mm/pouce)	Couple, Nm/(ft-lb)
6,35 (1/4")	18 (13,3")
9,52 (3/8")	42 (31,0")
12,70 (1/2")	55 (40,6")
15,88 (5/8")	65 (48,0")
19,05 (3/4")	78 (57,6")

Ø Tube, D		A (mm)	
Pouce	mm	Impérial (Type d'écrou à oreilles)	Normal (Type d'embrayage)
1/4"	6,35	1,3	0,7
3/8"	9,52	1,6	1,0
1/2"	12,70	1,9	1,3
5/8"	15,88	2,2	1,7
3/4"	19,05	2,5	2,0

- Tous les fils doivent être fermement connectés.
- Aucun fil électrique ne doit toucher ni la tuyauterie du réfrigérant, ni le compresseur, ni les pièces mobiles du moteur de ventilation.
- Le câble de raccordement entre l'unité intérieure et l'unité extérieure doit être fixé à l'aide du collier fourni.
- Le cordon électrique doit être équivalent à H07RN-F au minimum.
- Les connecteurs et les câbles du répartiteur ne doivent subir aucune pression externe.
- Tous les couvercles doivent être correctement fixés pour éviter tout vide.
- Utilisez des bornes à sertir rondes pour la connexion des fils au bloc d'alimentation. Connectez les fils en les faisant correspondre aux indications du bornier. (Référez-vous au schéma de câblage apposé sur l'unité).



- Utilisez le bon tournevis pour serrer les vis du répartiteur. Utiliser un tournevis non adapté peut endommager la tête de la vis.
- Ne pas trop serrer sous peine d'endommager la vis de la borne.
- Ne connectez pas de fils de sections différentes au même répartiteur.
- Réalisez le câblage de façon ordonnée. Le câblage ne doit pas obstruer les autres pièces ni le couvercle du boîtier du répartiteur.



PRÉCAUTIONS SPÉCIALES EN TRAITANT L'UNITÉ DE R410A

R410A est un nouveau réfrigérant de HFC qui n'endommage pas la couche d'ozone. La pression de travail de ce nouveau réfrigérant est 1,6 fois supérieure à celle d'un réfrigérant conventionnel (R22), une installation appropriée et un bon entretien sont donc essentiels.

- Jamais réfrigérant de l'utilisation autre que R410A dans un climatiseur qui est conçu pour fonctionner avec R410A.
- De l'huile POE ou PVE est employée comme lubrifiant pour le compresseur de R410A, qui est différente de l'huile minérale utilisée pour le compresseur R22. Pendant l'installation ou l'entretien, des précautions supplémentaires doivent être prises pour ne pas exposer le système de R410A trop long à l'air moite. L'huile résiduelle de POE ou de PVE dans la tuyauterie et les composants peuvent absorber l'humidité de l'air.
- Pour empêcher mischarging, le diamètre du port de service sur la valve de fusée est différent de celui de R22.
- Employez les outils et les matériaux exclusivement pour le réfrigérant R410A. Les outils exclusivement pour R410A sont valve diverse, tuyau de remplissage, indicateur de pression, détecteur de fuite de gaz, outils de fusée, clé dynamométrique, pompe de vide et cylindre de réfrigérant.
- Car un climatiseur de R410A encourt une pression plus élevée que les unités R22, il est essentiel de choisir les pipes de cuivre correctement. Jamais diluant de cuivre de pipes d'utilisateur que 0,8mm quoiqu'ils soient disponibles sur le marché.
- Si le gaz de réfrigérant fuit pendant l'installation/servicing, soyez sûr d'aérer entièrement. Si le gaz réfrigérant entre en contact avec le feu, un gaz toxique peut se produire.
- En installant ou en enlevant un climatiseur, ne laissez pas l'air ou l'humidité rester dans le cycle réfrigérant.

TIRAGE AU VIDE ET CHARGE

Aspirer est nécessaire pour éliminer toute humidité et air du système.

Aspiration sous vide des tuyauteries et de l'unité intérieure

L'unité intérieure et les tuyaux de raccordement doivent être purgés car l'air restant dans le cycle frigorifique contient de l'humidité et est susceptible de provoquer un dysfonctionnement du compresseur.

- Enlever le bouchon central, ainsi que le bouchon de la prise de pression sur chaque vanne.
- Raccorder le centre de la jauge de chargement à la pompe à vide.
- Raccorder la jauge de chargement à l'orifice de service de la valve à trois voies.

- Démarrer la pompe à vide. Évacuer pendant environ 30 minutes. La période d'évacuation varie selon la capacité de la pompe à vide. S'assurer que l'aiguille de la jauge de chargement se soit déplacée vers -760mmHg .

Avertissement

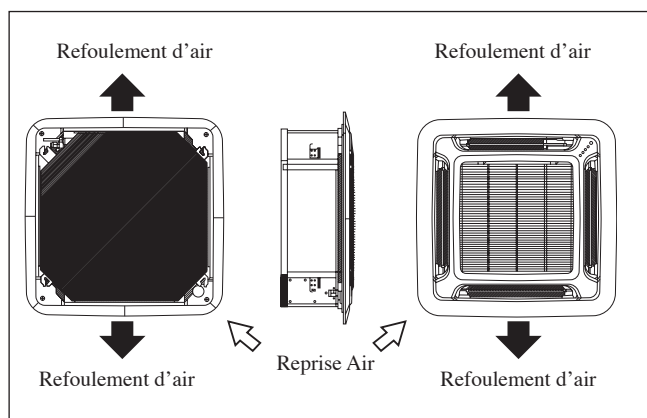
- Si l'aiguille de la jauge ne se déplace pas vers -760mmHg , vérifier qu'il n'y ait pas de fuite de gaz (à l'aide d'un détecteur de gaz) au niveau des raccordements évases des unités intérieures et extérieures, puis réparer la fuite avant de passer à l'étape suivante.
- Fermer la valve de la jauge de chargement et éteindre la pompe à vide.

PIÈCE ACCESSOIRE

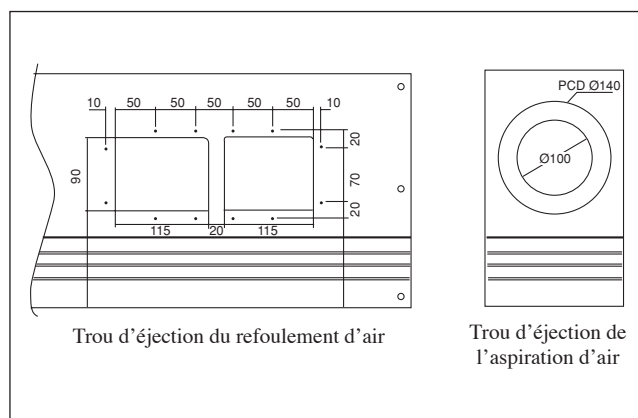
Spécification de canalisation courte

- L'unité intérieure est fournie avec un trou d'éjection de refoulement d'air et d'aspiration d'air pour la connexion de la canalisation. Cependant, la connexion de la canalisation courte pour le refoulement d'air n'est possible que d'un côté.
- L'utilisation d'une canalisation courte pour le refoulement d'air améliorera la distribution du flux d'air s'il y a obstruction (comme un lustre) ou dans une longue pièce étroite ou une pièce en L. Elle est également utilisée pour la climatisation simultanée de deux pièces.

Direction possible pour le refoulement d'air et l'aspiration d'air



Direction possible pour le refoulement d'air et l'aspiration d'air



REMARQUE

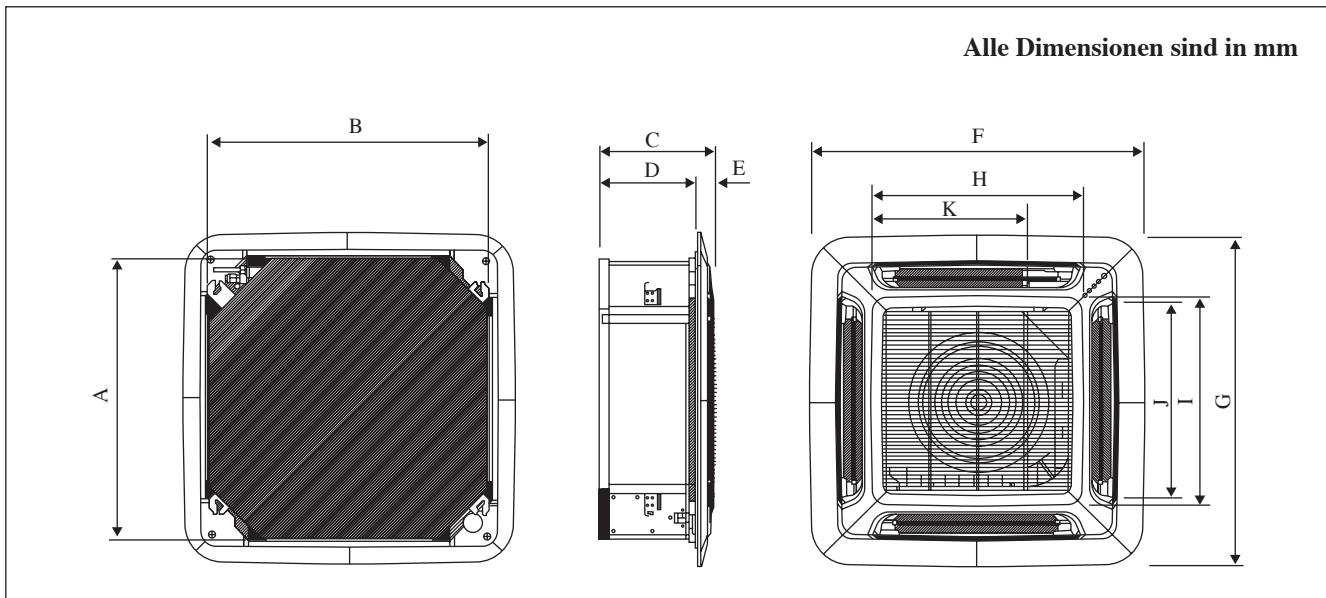
- Évitez d'utiliser la canalisation courte sur laquelle la grille de refoulement d'air peut être complètement fermée pour empêcher que l'évaporateur ne gèle.
- Afin d'éviter la formation de condensation, assurez-vous que l'isolation thermique est suffisante et qu'il n'y a pas de fuite d'air froid lorsque vous installez la canalisation courte.
- Maintenez l'introduction d'aspiration d'air frais à 20% du flux d'air total. Ménagez également une chambre et utilisez un ventilateur booster

Matériau de bouchage

- Il est possible de boucher l'un des quatre déflecteurs de refoulement. (en boucher deux ou plus peut causer un mauvais fonctionnement).
- Otez le panneau avant et insérez le matériau de bouchage dans le déflecteur de refoulement d'air de l'unité intérieure pour boucher l'évent.
- Le matériau de bouchage est d'une longueur égale à celle du déflecteur de refoulement d'air le plus long. Si vous souhaitez boucher le déflecteur le plus court, coupez le matériau de bouchage pour le raccourcir.
- Poussez le matériau de bouchage à l'intérieur, environ 10mm plus loin que la surface inférieure de l'unité intérieure afin qu'il ne touche pas le volet d'aération. Veillez à ne pas pousser le matériau de bouchage de plus de 10mm.

AUSLEGUNG UND ABMESSUNGEN

Innen-Gerät ACQ 71 / 100 / 125 BV1



Abmessung	A	B	C	D	E	F	G	H	I	J	K
Modell											
ACQ 71 BV1	820	820	340	300	40	990	990	627	627	607	430
ACQ 100 BV1 / ACQ 125 BV1	820	820	375	335	40	990	990	627	627	607	430

Deutsch

Übersetzung der Original-Anleitungen

INSTALLATIONSHANDBUCH

Das vorliegende Handbuch enthält die Installationsanweisungen für einen sicheren und ordnungsgemäßen Betrieb dieser Anlage.

Je nach den örtlichen Gegebenheiten können spezielle Anpassungen notwendig sein.

Vor der Inbetriebnahme des Klimagerätes dieses Handbuch bitte aufmerksam zur Kenntnis nehmen und für künftigen Bedarf aufbewahren.

Dieses Gerät für den Betrieb durch Fachleute oder geschulte Benutzer in Geschäften, der Leichtindustrie und in landwirtschaftlichen Betrieben sowie für gewerbliche Zwecke durch Laien ausgelegt.

Das Gerät ist nicht konzipiert, um von folgenden Personengruppen einschließlich Kindern benutzt zu werden: Personen mit eingeschränkten körperlichen, sensorischen oder geistigen Fähigkeiten oder Personen mit mangelhafter Erfahrung oder Wissen, es sei denn, sie sind von einer Person, die für ihre Sicherheit verantwortlich ist, darin unterwiesen worden, wie das Gerät ordnungsgemäß zu verwenden und zu bedienen ist.

Kinder sollten beaufsichtigt werden, um sicher zu sein, dass sie nicht mit dem Gerät spielen.

VORSICHTMASSNAHMEN

ACHTUNG

- Die Installation und Wartung muß durch qualifiziertes Personal erfolgen, Welches mit den örtlichen Bestimmungen und diesem Ausrüstungstyp vertraut ist.
- Die gesamte E-Verkabelung hat in Übereinstimmung mit den landesspezifischen Anschlußvorschriften zu erfolgen.
- Vor dem Kabelanschluß gemäß Schaltbild ist sicherzustellen, daß die Betriebsspannung mit der auf dem Datenschild des Gerätes angegebenen Spannung übereinstimmt.
- Das Gerät ist zum Schutz gegen fehlerhafte Isolierungen und entsprechende Risiken zu ERDEN.
- Die Kabel dürfen weder mit der Kühlmittelleitung, noch mit den beweglichen Teilen der Gebläsemotoren in Berührung kommen.
- Vor der Installation oder Wartung der Anlage ist sicherzustellen, daß das Gerät ausgeschaltet ist (OFF).
- Ziehen Sie vor der Wartung der Klimaanlage den Stecker aus der Steckdose.
- NICHT das Stromkabel herausziehen, wenn das Gerät noch eingeschaltet ist. Ein elektrischer Schlag oder ein Wohnungsbrand können die Folge sein.
- Halten Sie Innen- und Außengerät mindestens 1m entfernt von Fernsehern und Rundfunkgeräten, um verzerrte Bilder und statische Entladungen zu vermeiden. {abhängig von Type und Quelle der elektrischen Wellen, können statische Entladungen auch noch hörbar sein bei Abständen von mehr als 1m}.

VORSICHT

Vor der Installation sind folgende wichtige Punkte zu prüfen.

-  **Gerät nicht installieren, falls ein Leck entzündbaren Gases festgestellt wird.**
Es besteht Feuergefahr, wenn Gas aus der Anlage entweicht und sich in der Umgebung ansammelt.
-  **Die Kondensat-Abfluehleitung muß sachgemäß angeschlossen sein.**
Ist die Abfluehleitung nicht richtig angeschlossen, besteht Gefahr, daß durch auslaufendes Wasser das Mobiliar feucht wird.
-  **Gerät nicht überlasten.**
Das Gerät ist werkseitig vorgefüllt.
Im Falle einer Überfüllung besteht die Gefahr einer Überbelastung oder sonstigen Beschädigung des Kompressors.
-  **Nach Installation oder Wartung ist sicherzustellen, daß die Geräteabdeckung wieder montiert ist.**
Eine mangelhafte Befestigung der Abdeckung führt zu Geräuschentwicklung während des Betriebs.
-  **Scharfe Kanten und Wärmetauscherflächen stellen eine Gefahrenquelle dar. Jeglicher Kontakt mit diesen Stellen ist zu vermeiden.**
- **Vor Abschalten der Stromzufuhr muss der ON/OFF-Schalter der Fernbedienung auf „OFF“ gestellt werden, um eine versehentliche Fehleinstellung zu vermeiden.** Andernfalls schaltet sich bei Wiederherstellung der Stromzufuhr das Kühlgebläse automatisch wieder ein und kann somit für den Benutzer oder Wartungspersonal ein unerwartetes Risiko darstellen.
- **Keine Heizgeräte zu dicht bei der Klimaanlage einschalten.** Dies kann zur Folge haben, dass die Kunststoffabdeckung durch zu große Wärme schmilzt oder beschädigt wird.
- **Die Geräte dürfen nicht bei oder in der Nähe von Türen installiert werden.**
- **Betreiben Sie keine Heizgeräte in direkter Nähe des Klimagerätes, und verwenden Sie das Gerät nicht in Räumen, in denen es Mineralölen, Öldämpfen oder -nebel ausgesetzt ist, da dies zu einem Schmelzen oder einer Verformung der Plastikbestandteile aufgrund von Hitze oder chemischer Reaktion führen könnte.**
- **Sollte das Gerät in einer Küche eingesetzt werden, so achten Sie bitte darauf, dass kein Mehlstaub eingesaugt werden kann.**
- **Dieses Gerät ist nicht für den Einsatz in Fabriken geeignet, in denen es zur Entwicklung von Öldämpfen oder Eisenstaub kommt, bzw. In denen es zu starken Stromschwankungen kommen kann.**
- **Das Gerät eignet sich nicht zur Installation in der Nähe von Heißquellen oder Raffinerien, wo Sulfidgase entstehen können.**
- **Sorgen Sie dafür, dass die Farben der Drähte des Außengerätes und der Anschlussmarkierungen dieselbe sind wie die Übereinstimmende des Innengerätes.**
- **WICHTIG : DAS KLIMAGERÄT SOLLTE NICHT IN EINEM WÄSCHERAUM INSTALLIERT ODER BENUTZT WERDEN.**
- **Verwenden Sie zur Stromversorgung keine zusammengefügt und geknickte Kabel.**
- **Vermeiden Sie direkten Kontakt der Plastikteile mit den Reinigern für die Wärmetauscher. Die Plastikteile können sich aufgrund chemischer Reaktionen verformen.**
- **Bei Fragen zu Ersatzteilen wenden Sie sich bitte an einen autorisierten Händler.**
- **Das Gerät ist nicht zur Verwendung in einer potentiell explosiven Atmosphäre konzipiert.**

BEMERKUNG

Vorschriften zur Entsorgung

Ihre Klimaanlage ist mit diesem Symbol gekennzeichnet. Das bedeutet, dass elektrische und elektronische Produkte nicht mit unsortiertem Haushaltsabfall entsorgt werden dürfen.

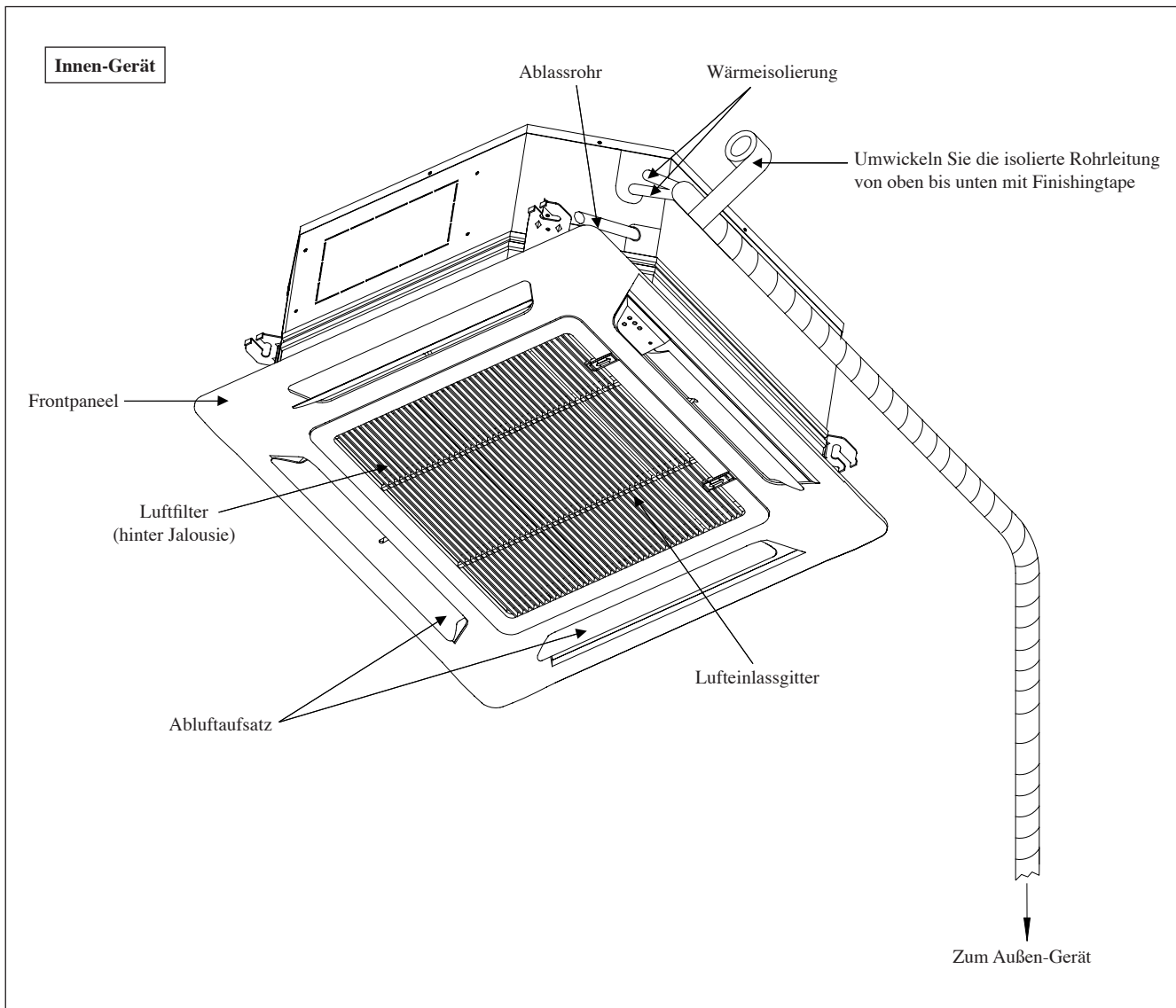
Versuchen Sie auf keinen Fall das System selbst zu demontieren : Die Demontage des Klimaanlage systems sowie die Handhabung von Kältemittel, Öl und möglichen weiteren Teilen muss von einem qualifizierten Monteur gemäß den entsprechenden örtlichen und staatlichen Bestimmungen vorgenommen werden.

Klimaanlagen müssen bei einer fachkundigen Einrichtung für Wiederverwendung, Recycling und Wiedergewinnung aufbereitet werden. Indem Sie dieses Produkt korrekt entsorgen, helfen Sie potenzielle negative Folgen für die Umwelt und die Gesundheit der Menschen zu vermeiden. Nehmen Sie bitte hinsichtlich weiterer Informationen Kontakt auf mit dem Monteur oder den örtlichen Behörden.

Die Batterien müssen aus der Fernbedienung entfernt werden und gemäß den entsprechenden örtlichen und staatlichen Vorschriften separat entsorgt werden.



INSTALLATIONSDIAGRAMM



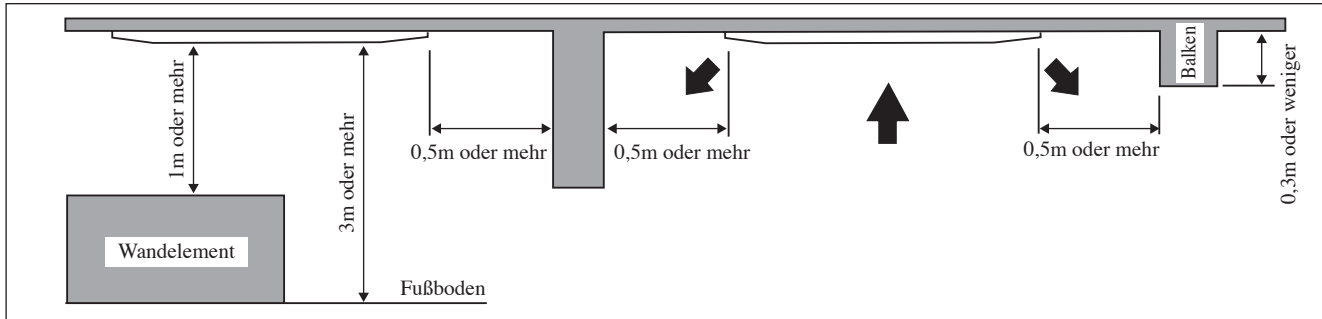
Deutsch

INSTALLATION DES INNENGERÄTES

Vorbereitende Massnahmen

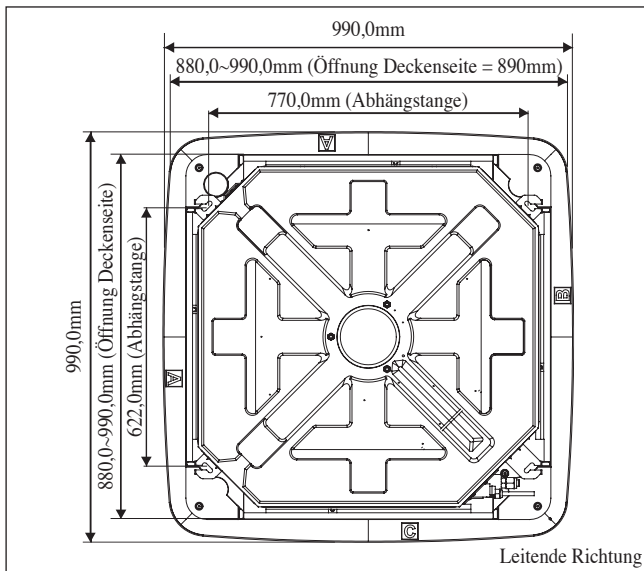
Bitte lesen Sie diese Anleitung vor der Installation des Innengeräts.

- Netzspannungsschwankungen dürfen nicht um mehr als $\pm 10\%$ von der Nennspannung abweichen. Die Stromleitungen müssen vom Aufschweißen von Transformatoren, wodurch bei der Stromversorgung hohe Schwankungen entstehen können, abhängig sein.
- Achten Sie darauf, daß der Installationsort für die Verkabelung, die Rohrleitungsführung und die Ablaufleitungen geeignet ist.
- Üben Sie beim Öffnen der Einheit oder nach dem Öffnen keinen Druck auf die Kunststoffteile aus.
- Entfernen Sie das Verpackungsmaterial der Einheit erst, nachdem das Gerät seinen Bestimmungsort erreicht hat. Verwenden Sie beim Auspacken oder Anheben sicheres Material oder Schutzbleche, um Schäden oder Kratzer an der Einheit zu vermeiden.



- Folgendes sollte als Installationsort beachtet werden:
 - a) Der Ablauf sollte leicht sein.
 - b) Es muss für die Verkabelung und Rohrleitungsführung geeignet sein.
 - c) Es muss genügend Platz für die Installation und Wartung zur Verfügung stehen.
 - d) Kein Risiko an brennbarem Gasaustritt.
 - e) Der Kühlluftauslass und der Warmlufteinlass dürfen nicht blockiert werden und die Kühlluft muss gleichmäßig über den Raum verteilt werden (nahe Raummitte).
 - f) Das Raumgerät muss entsprechend der Abbildung ausreichend weit entfernt von Wänden und anderen Hindernissen installiert werden.
 - g) Der Installationsort muß zwecks Vermeidung von Geräusch- und Vibrationsverstärkung das Vierfache der Last des Raumgeräts tragen können.
 - h) Der Installationsort (abgehängte Decke) muß waagrecht sein und einen Hohlraum von mindestens 350mm aufweisen.
 - i) Das Raumgerät muß abseits von Wärme- und Dampfquellen installiert werden (möglichst nicht in der Nähe von Eingängen installieren).

Installation des Geräts

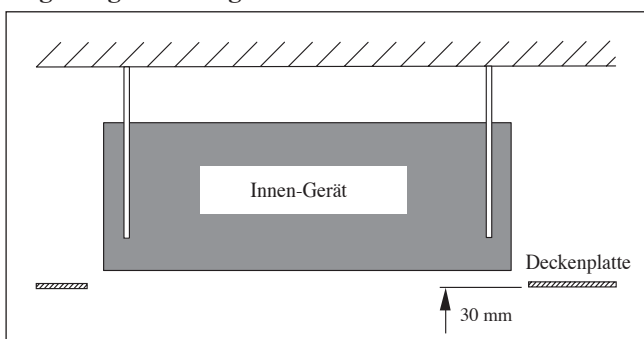


- Messen und markieren Sie die Position der Abhängstange. Bohren Sie das Loch für die Winkelmutter in die Decke und befestigen Sie die Abhängstange.
- Die Installationsschablone ist zwecks Berücksichtigung von Schwankungen der Temperatur und relativen Luftfeuchtigkeit verlängert. Bitte tatsächliche Abmessungen überprüfen.
- Die Abmessungen der Installationsschablone sind identisch mit den Abmessungen der Deckenöffnung.
- Wenn die Deckenverkleidung noch nicht fertiggestellt ist, muß die Installationsschablone am Raumgerät angebracht werden.

HINWEIS

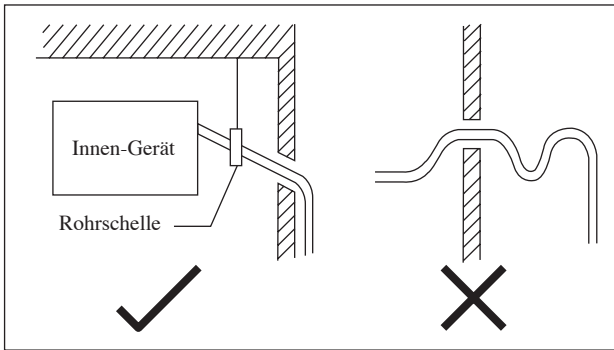
Besprechen Sie die Deckenbohrungen mit den zuständigen Installateuren.

Abgehängtes Raumgerät



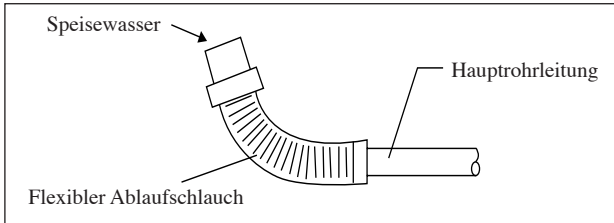
- Achten Sie darauf, daß die Abhängstangen im genauen Abstand von 770mm x 622mm montiert werden.
- Das Gerät anheben und mit Hilfe von Mutter und Unterlegscheibe an der Aufhängestange anbringen.
- Justieren Sie die Höhe des Raumgeräts auf 30mm zwischen Geräteunterseite und Abhängdecke.
- Überprüfen Sie mit einer Wasserwaage, ob das gerät waagrecht installiert ist, und ziehen Sie die Bolzenmutter zur Vorbeugung von Vibrationen fest an.
- Öffnen Sie das Deckenplatte entlang der Außenkante der Installationsschablone.

Arbeiten an der Ablasspumpe



- Ablaufrohrleitung muß für störungsfreien Ablauf lotrecht installiert werden.
- Vermeiden Sie zur Vorbeugung gegen Wasserrückfluß jegliche Gefälle oder Steigungen beim Installieren der Ablaufrohrleitung.
- Achten Sie darauf, daß der Ablaufanschluß am Raumgerät beim Anschließen der Ablaufrohrleitung nicht übermäßig belastet wird.
- Der Ablaufanschluß hat des flexiblen Ablaufschlauchs hat einen Außendurchmesser von 20mm.
- Sorgen Sie dafür, daß die Ablaufrohrleitungen (mit mindestens 8,0mm Polyäthylen-Schaumstoff) gegen Außenwärme isoliert werden, um das Abtropfen von Kondenswasser in den Raum zu unterbinden.

Ablauftest



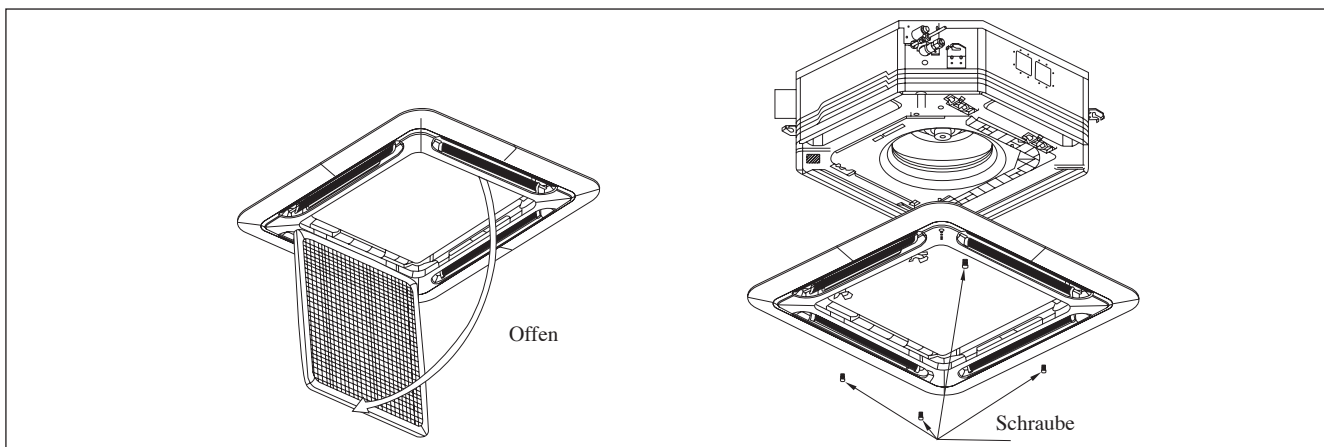
- Verbinden Sie das Hauptablaufrohr mit dem flexiblen Ablauf.
- Füllen Sie Wasser in den flexiblen Ablaufschlauch und überprüfen Sie die Rohrleitungen auf Undichtigkeiten.
- Verbinden Sie nach Durchführung des Ablauftests den flexiblen Ablaufschlauch mit dem Ablaufanschluß am Raumgerät.

ANMERKUNG

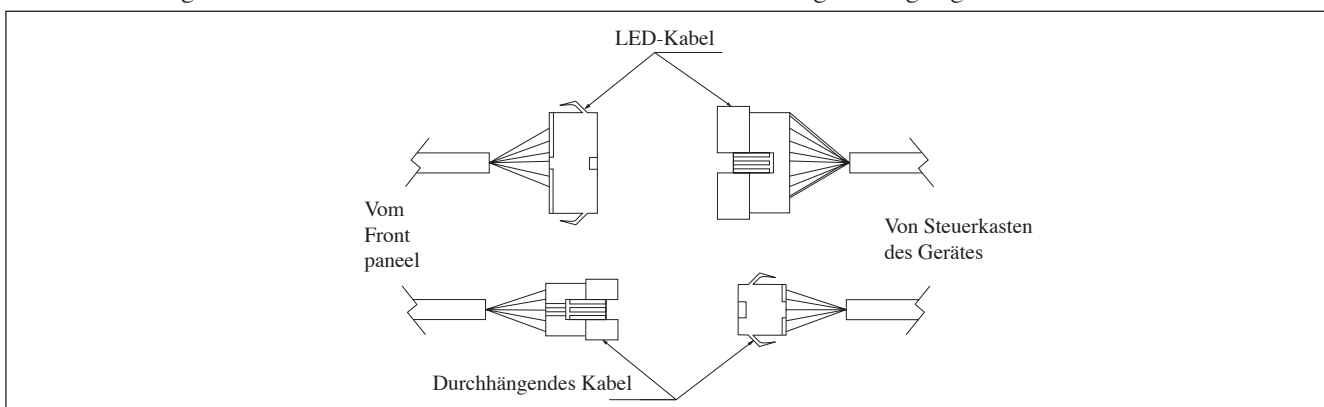
Dieses raumgerät hat eine ablasspumpe für das abpumpen von kondenswasser. Waagerechte installation des geräts beugt gegen wasseraustritt oden kondenswasserbildung am luftauslass vor.

Montage des Paneels

- Das Frontpaneel kann nur in einer Richtung montiert werden. (Ausrichtung der Rohrleitungen und Rohrleitungsfeil auf Frontpaneel beachten)
- Sorgen Sie dafür, daß die Installationsschablone vor der Montage des Frontpaneels entfernt wird.



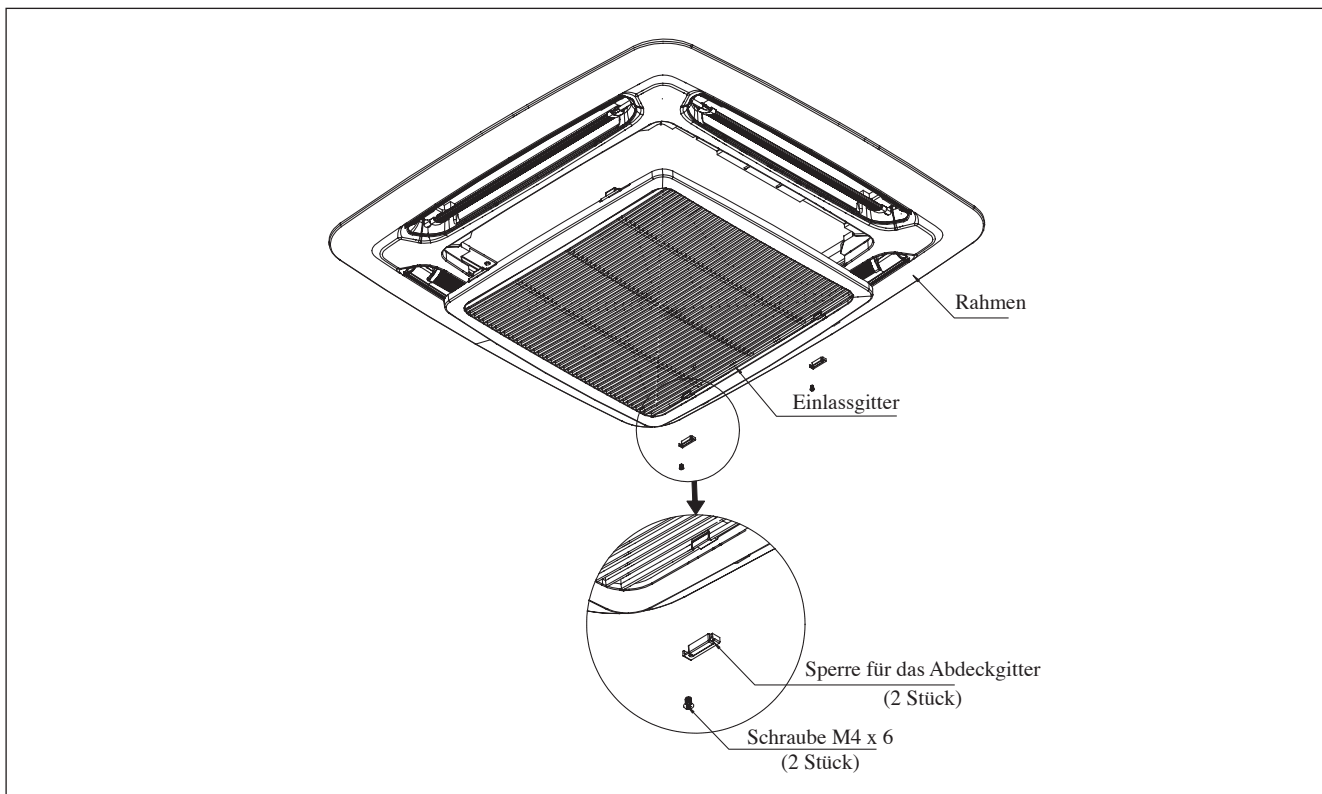
- Öffnen Sie die Lufteinlaßjalousie durch Zurückziehen der Halterungen und nehmen Sie die Jalousie zusammen mit dem Filter vom Frontpaneel ab.
- Montieren Sie den Frontpaneelrahmen mit vier Schrauben am Raumgerät und ziehen Sie die Schrauben zur Vorbeugung gegen Kühlluftaustritt gut fest.
- Schließen das LED-Kabel und das durchhängende Kabel an das Raumgerät an.
- Der durchhängende Anschluss muss nach dem Anschließen in das Steuergehäuse gelegt werden.





Sperre für das Abdeckgitter (Der Schutz für bewegliche Teile, die der Benutzer direkt berühren kann)

Die Sperre für das Abdeckgitter sollte wie in der unten abgebildeten Darstellung installiert werden.



Falls das Gerät gewartet werden muss, sind folgende Schritte durchzuführen:

1. Prüfen Sie, ob das Gerät vor der Wartung ausgeschaltet wurde.
2. Verwenden Sie einen Schraubendreher, um die Schrauben der Sperre des Abdeckgitters zu öffnen.
3. Entfernen Sie die Sperre des Abdeckgitters und öffnen Sie das Einlassgitter für die Wartung.
4. Setzen Sie das Einlassgitter ein und ziehen Sie die Schraube der Sperre des Abdeckgitters nach der Wartung fest. Stellen Sie sicher, dass das Gerät korrekt installiert ist.



Installation der Kabel

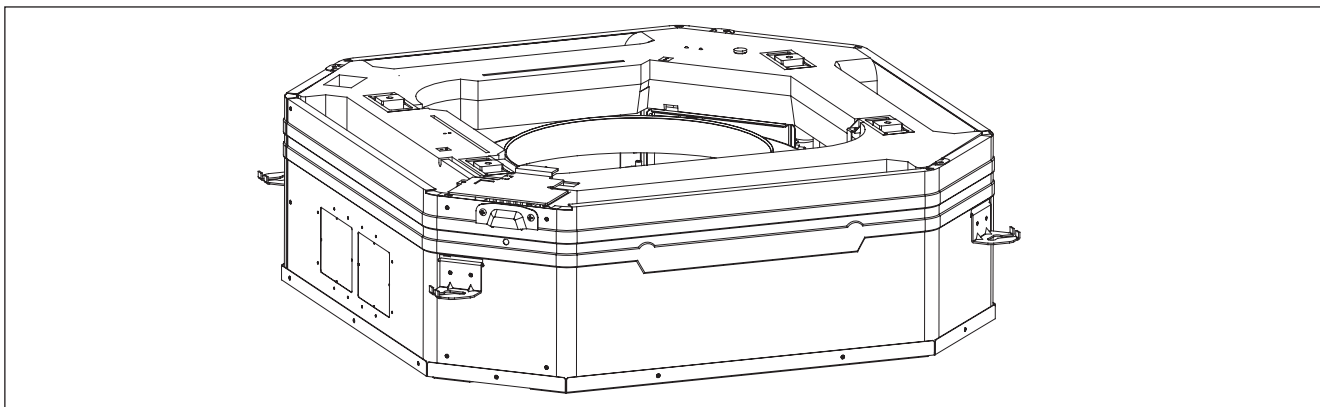


Abbildung 1

Abbildung 1 und Abbildung 2 zeigen die Lage der Kabelabdeckung im Innen-Gerät.
Schritte zur Installation der Stromkabel und der Kabel des Außengeräts.

1. Die Kabelabdeckung entfernen, indem 2 Schrauben wie in Abbildung 3 dargestellt entfernt werden.
2. Die Kabel durch das Loch ziehen, wie in Abbildung 4 und 5 dargestellt. Die Höhe des Lochs nicht überschreiten.
3. Danach die Kabelabdeckung einsetzen.

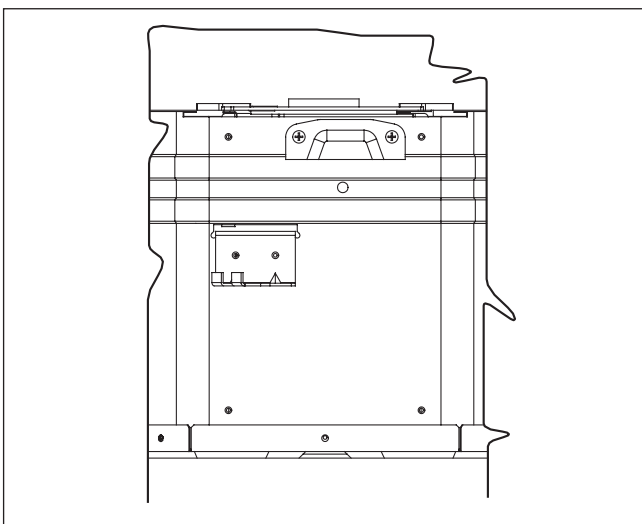


Abbildung 2

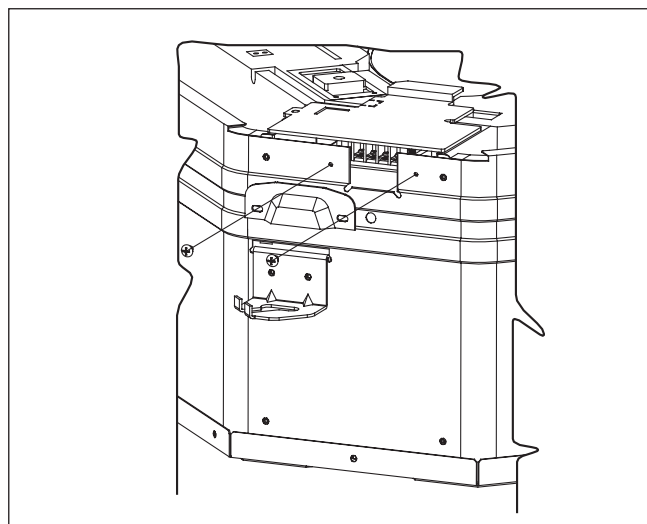


Abbildung 3

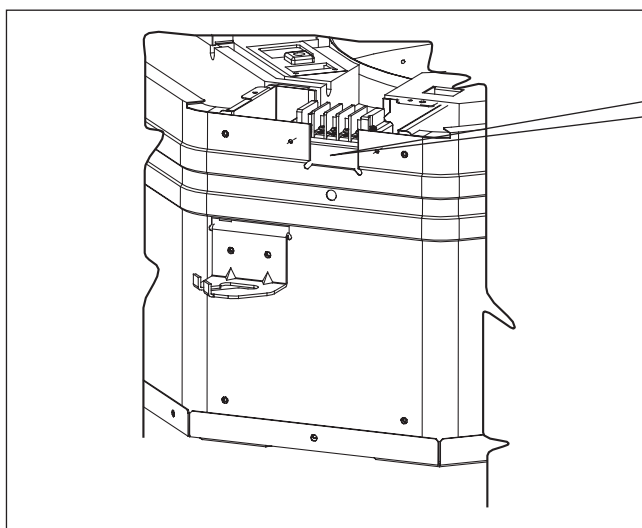


Abbildung 4

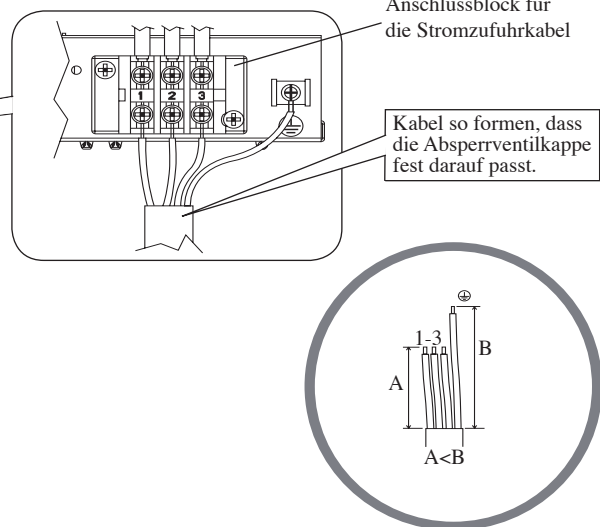


Abbildung 5

⚠ VORSICHT

Innen- und Außengerät nicht in Höhen über 2000m installieren.

Leitungsverlegung U. Anslusstechnik

- Keine verschmutzten oder beschädigten Kupferrohre verwenden. Wurden Rohrleitungen, Verdampfer oder Verflüssiger freigelegt oder waren mehr als 15 Sekunden geöffnet, dann muss das System abgesaugt werden. Allgemein sollten keine Plastikabdeckungen, Gummistopfen oder Messinggewinde von den Ventilen, Armaturen, Rohren und Kühlschlangen abgenommen werden, bis die Ansaug- bzw. Flüssigkeitsleitung bereit zum Anschließen ist.
- Falls Lötarbeiten vorzunehmen sind, ist sicherzustellen, dass während des Lötens Stickstoff durch die Kühlschlangen und Kupplungen geführt wird. Dadurch werden Rußablagerungen auf den Kupferrohr-Innenwandungen vermieden.
- Rohrleitungen nach und nach zurechtschneiden und dabei das Schneidegerät langsam in das Rohr eingreifen lassen. Höherer Kraftaufwand und ein schneller Schnitvorschub verursachen eine stärkere Verformung des Rohres und zusätzliche Gratstellen. Siehe Abbildung A
- Rohrkanten mit einer Reibahle entgraten, wie in Abbildung B dargestellt. Dadurch werden Unregelmäßigkeiten an der Anschlußfläche vermieden, die zu undichten Stellen führen könnten. Halten Sie das Rohr ganz oben und den Entgrater ganz unten, damit keine Metallspäne in das Rohr geraten.
- Die Gewindeüberwurfteile an den Armaturen des Innen- und Außengerätes in die Kupferrohre einziehen.
- Die genaue überstehende Rohrleitungslänge an der Kupplungs-Stirnfläche richtet sich nach dem Kupplungswerkzeug. Siehe Abbildung C.
- Das Rohr fest auf den Stauchblock aufdrücken. Anschließend Gewinde- und Überwurfteil zentrieren und beide Teile gegeneinander festziehen.

Geräte-Rohranschluss

- Rohrleitung zentrieren und Gegenmutter mit der Hand anziehen. Siehe Abbildung D.
- Abschließend Gewidemutter und Moment-schlüssel bis an die gewünschte Moment-Einraststelle anziehen.
- Beim Anziehen der Gewidemutter mit dem Momentschlüssel ist die durch den Pfeil angezeigte Anzugsrichtung des Momentschlüssels zu beachten.
- Die Kühlmittleitungsanschlüsse sind mit geschlossenzelligem Polyurethanschaum isoliert.

Rohrgröße (mm/zoll)	Anzugsmoment, Nm/(ft-lb)
6,35 (1/4")	18 (13,3")
9,52 (3/8")	42 (31,0")
12,70 (1/2")	55 (40,6")
15,88 (5/8")	65 (48,0")
19,05 (3/4")	78 (57,6")

Ø Rohr, D		A (mm)	
Zoll	mm	Aufgeweite (Flügelmutter-Typ)	Starr (Kupplungstyp)
1/4"	6,35	1,3	0,7
3/8"	9,52	1,6	1,0
1/2"	12,70	1,9	1,3
5/8"	15,88	2,2	1,7
3/4"	19,05	2,5	2,0

Abbildung A

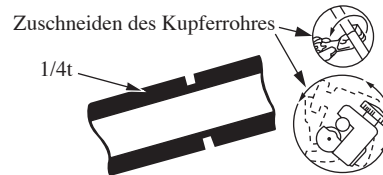


Abbildung B

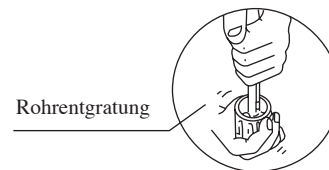


Abbildung C

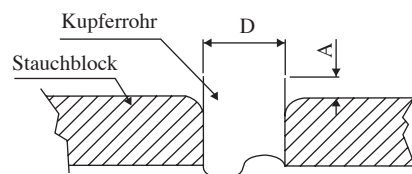
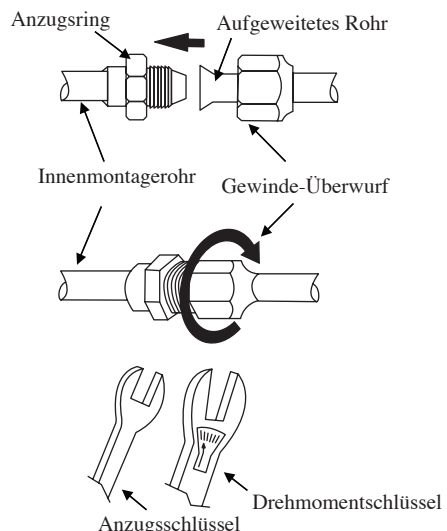
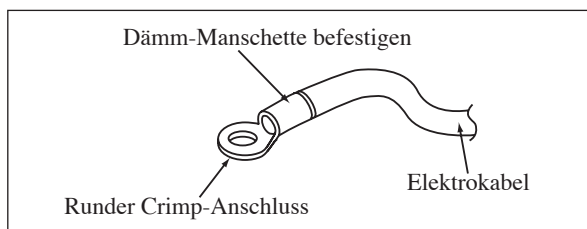


Abbildung D



- Alle Adern sind fest zu verdrahten.
- Stellen Sie sicher, dass alle Kabel die Kältemittelleitungen, den Kompressor oder andere bewegliche Teile nicht berühren.
- Der Verbindungsdraht zwischen dem Innen- und Außengerät muss durch die mitgelieferte Kabelbefestigung eingeklemmt werden.
- Das Anschlusskabel muss zumindest dem H07RN-F entsprechen.
- Stellen Sie sicher, dass kein externer Druck auf die Anschlussklemmen und Drähte ausgeübt wird.
- Stellen Sie sicher, dass alle Abdeckungen festsitzen, um Zwischenräume zu vermeiden.
- Verwenden Sie runde Crimpanschlüsse, um Kabel an den Anschlussblock anzuschließen. Schließen Sie die Kabel an die entsprechenden Markierungen des Anschlussblocks an. (Siehe Schaltbild, angeheftet am Gerät).



- Verwenden Sie den korrekten Schraubendreher, um die Blockschrauben festzudrehen. Ungeeignete Schraubendreher können den Schraubenkopf beschädigen.
- Überdrehen kann die Klemmschraube beschädigen.
- Schließen Sie nicht Drähte von unterschiedlichen Instrumenten an den gleichen Anschluss an.
- Verkabelung in geregelter Anordnung halten. Die Verkabelung sollte keine anderen Teile und nicht die Abdeckung des Anschlusskastens blockieren.



SPEZIELLE VORKEHRUNGEN BEIM BESCHÄFTIGEN R410A MASSEINHEIT

R410A ist ein neues HFC Kühlmittel, das nicht die Ozon-Schicht beschädigt. Der Betriebsdruck dieses neuen Kühlmittels ist 1,6 Mal höher, als herkömmliches Kühlmittel (R22), dadurch ist es äußerst wichtig, dass Unterhaltsarbeiten und Installationen korrekt durchgeführt werden.

- Nie Kühlmittel des Gebrauches anders als R410A in einer Klimaanlage, die entworfen ist, um mit R410A zu funktionieren.
- POE- oder PVE-Öl wird als Schmiermittel für R410A Kompressor benutzt, das zu dem Mineralöl unterschiedlich ist, das für Kompressor R22 benutzt wird. Während der Installation oder der Wartung muß weitere Vorsichtsmaßnahme genommen werden, um das R410A System auszusetzen, das nicht feuchter Luft zu lang ist. Verbleibendes POE- oder PVE-Öl in der Rohrleitung und andere Rückstände können Feuchtigkeit aus der Luft aufsaugen.
- Dem Aufflackerventil zu dem von R22 unterschiedlich.
- Benutzen Sie Werkzeuge und Materialien ausschließlich für Kühlmittel R410A. Werkzeuge ausschließlich für R410A sind vielfältiges Ventil, aufladenschlauch, Druckanzeiger, Gasleckstell Detektor, Aufflackernwerkzeuge, Drehkraftschlüssel, Vakuumpumpe und Kühlmittelzylinder.
- Da eine R410A Klimaanlage auf höheren Druck als Maßeinheiten R22 sich nimmt, ist es wesentlich, die kupfernen Rohre richtig zu wählen. Nie kupferner Rohrverdünner des Benutzers als 0,8mm obwohl sie im Markt vorhanden sind.
- Wenn das Kühlmittelgas während der Installation/servicing ausläuft, seien Sie sicher, völlig zu lüften. Wenn das abkühlende Gas in Kontakt mit Feuer kommt, kann ein giftiges Gas auftreten.
- Wenn Sie eine Klimaanlage, lassen Sie Luft oder Feuchtigkeit nicht im abkühlenden Zyklus bleiben anbringen oder entfernen.

VAKUUMHERSTELLUNG UND LADEN

Das Absaugen ist erforderlich, um alle eventuell im System vorhandene Feuchtigkeit und Luft zu entfernen.

Evakuierung der Leitung und des Innenmontagegeräts

Das Innen-Gerät und der Anschluss der Kühlmittelleitungen müssen luftgereinigt werden, weil die Luft Feuchtigkeit enthält, die im Kühlmittel-Kreislauf zurückbleibt und die eine Funktionsstörung des Kompressors verursachen kann.

- Die Abdeckungen vom Ventil und dem Wartungsanschluß abnehmen.
- Den Lademesser von der Mitte aus an die Vakuumpumpe anschliessen.
- Den Lademesser an die Wartungsöffnung des 3-Weg-Ventils anschliessen.

- Die Vakuumpumpe einschalten und etwa 30 Minuten laufen lassen. Die Evakuierungszeiten sind je nach Kapazität der Pumpe verschieden. Darauf achten, dass die Nadel des Lademessers bei -760mmHg steht.

Vorsicht

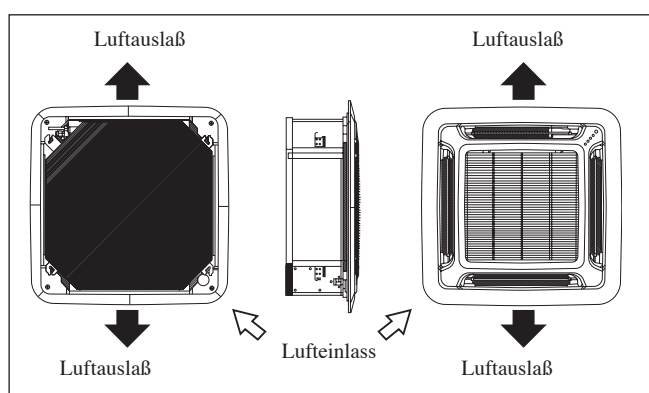
- Falls die Nadel des Lademessers nicht bei -760mmHg steht, ist nachzuprüfen (mit dem Kältemittel- Anzeigergerät), ob an der aus dem aufgeweiteten Rohr bestehenden Verbindung zwischen Innen- und Aussengerät ein Gasleck besteht. Vor Ausführen des nächsten Schrittes muss das Leck behoben werden.
- Das Ventil des Lademessers schliessen und die Vakuumpumpe abschalten.

ZUBEHÖRTEIL

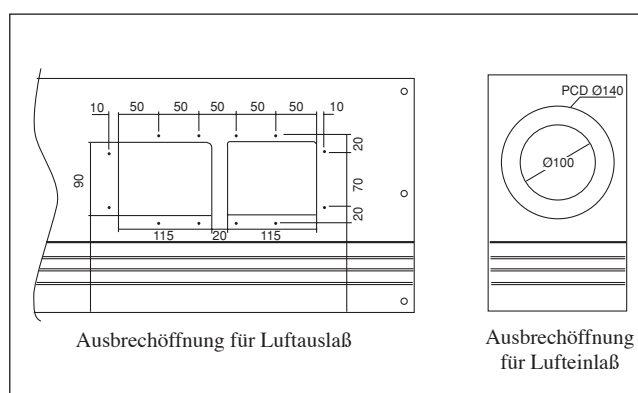
Technische Daten der kurzen Rohrleitung

- Das Raumgerät ist für den Anschluß einer Rohrleitung zwecks Aus- und Einlaß von Luft mit ausbrechbaren Öffnungen bestückt. Der Anschluß der kurzen Rohrleitung für den Luftauslaß kann jedoch nur auf einer Seite hergestellt werden.
- Die Verwendung einer kurzen Rohrleitung für den Luftauslaß verbessert die Luftverteilung bei Vorhandensein von Hindernissen (z.B. Beleuchtungskörpern) oder in langen, schmalen oder L-förmigen Räumen. Sie kann außerdem für die gleichzeitige Versorgung von zwei Räumen genutzt werden.

Mögliche Richtungen für Lufteinlaß und Luftauslaß



Mögliche Abmessungen für Öffnungen zum Anschluß der kurzen Rohrleitung



ANMERKUNG

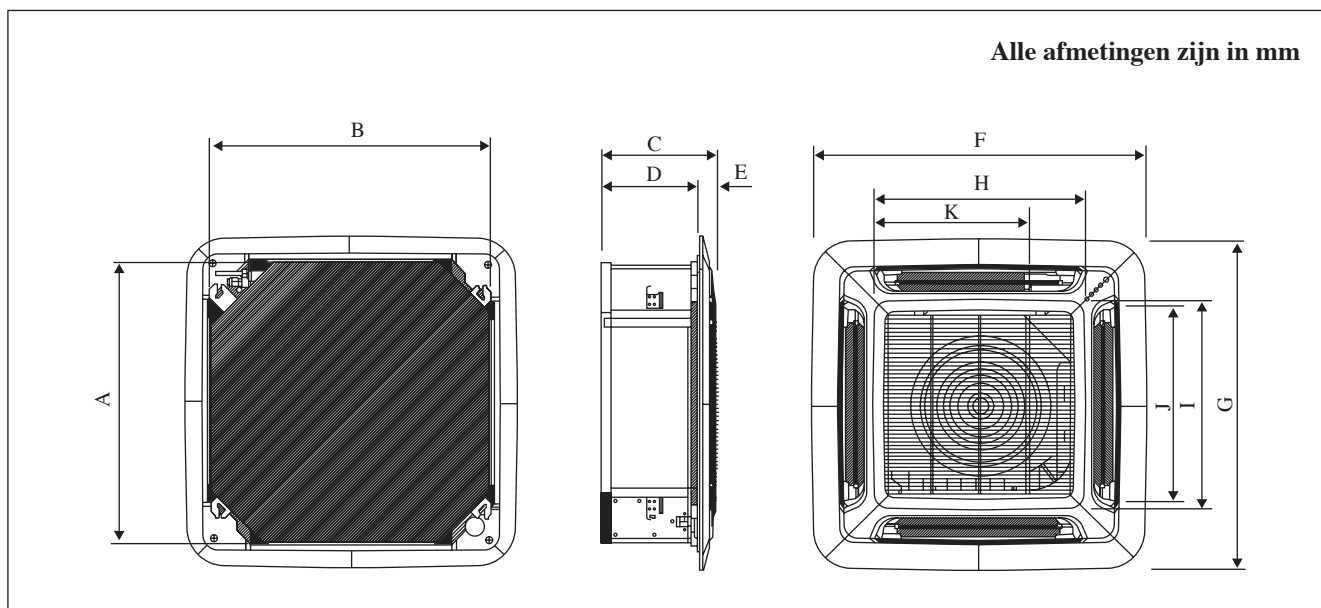
- Vermeiden Sie den Anschluß der kurzen Rohrleitung an einer Stelle, an der die Luftauslaß-Jalousie geschlossen werden kann, um gegen das Einfrieren von Verdampfungsmittel vorzubeugen.
- Sorgen Sie bei Installation der kurzen Rohrleitung zwecks Vorbeugung gegen Kondenswasserbildung dafür, daß die Leitung ausreichend wärmeisoliert ist und keine Kühlluft austreten kann.
- Halten Sie das Volumen des Frischlufteinlasses innerhalb von 20% des gesamten Luftdurchsatzes. Installieren Sie außerdem eine Zwischenkammer und verwenden Sie ein Verstärkergebläse.

Abdichtmaterial

- Einer der vier Luftauslässe kann abgedichtet werden. (Abdichtung von zwei oder mehr Luftauslässen kann zu Betriebsstörungen führen)
- Entfernen Sie das Frontpaneel und führen Sie das Abdichtmaterial in den Luftauslaß am Raumgerät ein.
- Das Abdichtmaterial hat dieselbe Länge wie der längere Luftauslaß. Wenn der kürzere Luftauslaß abgedichtet werden soll, muß das Abdichtmaterial entsprechend gekürzt werden.
- Drücken Sie das Abdichtmaterial höchstens ca. 10mm tief in das Raumgerät ein. Stellen Sie sicher, dass das Dichtungsmaterial nicht mehr als 10mm hineingedrückt wird.

SCHETSMATIGE WEERGAVE EN AFMETINGEN

Binnen-unit ACQ 71 / 100 / 125 BV1



Model \ Afmeting	A	B	C	D	E	F	G	H	I	J	K
ACQ 71 BV1	820	820	340	300	40	990	990	627	627	607	430
ACQ 100 BV1 / ACQ 125 BV1	820	820	375	335	40	990	990	627	627	607	430

Nederlands

Vertaling van de oorspronkelijke aanwijzing

INSTALLATIEHANDLEIDING

In deze handleiding worden de procedures voor de installatie gegeven voor een veilige en goede werking van de airconditionings-unit.

Lokale omstandigheden kunnen speciale aanpassingen nodig maken.

Lees, voordat u de airconditioning gebruikt, deze instructiehandleiding aandachtig door en bewaar de handleiding zodat u deze ook later nog kunt raadplegen.

Dit apparaat is bedoeld voor gebruik door deskundige of getrainde gebruikers, in lichte industrieën en op boerderijen of voor commercieel gebruik door leken.

Dit apparaat is niet bedoeld voor gebruik door personen, inclusief kinderen, met verminderde fysieke, zintuiglijke of mentale mogelijkheden, of met een gebrek aan ervaring en kennis, tenzij zij onder toezicht staan of onderricht zijn in het gebruik van het apparaat door een persoon die verantwoordelijk is voor hun veiligheid.

Zie erop toe dat kinderen niet met het apparaat spelen.

VOORZORGSMAATREGELEN VOOR EEN VEILIG GEBRUIK

⚠ WAARSCHUWING

- Installatie en onderhoud moeten worden uitgevoerd door gekwalificeerde personen die bekend zijn met de plaatselijke wetten en voorschriften en die ervaring hebben met dit type apparatuur.
- Alle veldbedrading moet worden geïnstalleerd in overeenstemming met de landelijk geldende bedradingsvoorschriften.
- Controleer, voordat u begint met bedradingswerkzaamheden volgens het bedradingschema, dat de nominale spanning van de unit overeenkomt met die van het naamplaatje.
- De unit moet worden GEAARD zodat gevaren die kunnen ontstaan door isolatiefouten, zich niet kunnen voordoen.
- De elektrische bedrading mag nergens de leidingen van het koelmiddel of welke bewegende delen van de ventilatormotoren dan ook raken.
- Controleer dat de unit is uitgeschakeld (OFF) voordat u installatie- of servicewerkzaamheden aan de unit verricht.
- Verbreek de aansluiting op de hoofdstroomvoorziening voordat u servicewerkzaamheden aan de airconditioning-unit verricht.
- Trek NIET de stekker van het netsnoer uit het stopcontact wanneer de unit is ingeschakeld (ON). Dit kan ernstige elektrische schokken tot gevolg hebben die kunnen leiden tot brandgevaar.
- Houd de binnen- en buiten-units, netsnoeren en transmissiebedrading ten minste 1m verwijderd van TV- en radiotoestellen, zodat geen vervormd beeld en statische lading kan ontstaan. {Afhankelijk van het type en de bron van de elektrische golven kan een ontlading van statische elektriciteit hoorbaar zijn, ook als u een afstand van meer dan 1m aanhoudt}.

⚠ LET OP

Let bij het installeren vooral goed op de volgende belangrijke punten.

- **Installeer de unit niet op een plaats waar lekkage van brandbaar gas zich kan voordoen.**
 - ⊘ Als er gas lekt en zich verzamelt rond de unit, kan hierdoor brand ontstaan.
- **Controleer dat de afvoerleiding goed is aangesloten.**
 - ⚠ Als de afvoerleiding niet goed is aangesloten, kan hierdoor lekkage van water ontstaan en kan het meubilair vochtig worden.
- **Overbelast de unit niet.**
 - ⊘ De belasting van de unit is in de fabriek ingesteld. Overbelasting zal leiden tot te veel stroom of zal de compressor beschadigen.
- **Controleer dat het paneel van de unit wordt gesloten na service- of installatiewerkzaamheden.**
 - ⚠ Wanneer panelen niet goed zijn vastgezet, zal de unit lawaai maken tijdens de werking.
- **Scherpe randen en oppervlakken van spoelen zijn plaatsen waar u het risico loopt u te bezeren.**

Ga voorzichtig te werk zodat u niet in contact komt met deze plaatsen.
- **Zet, voordat u de stroomvoorziening uitschakelt, de Aan/Uit-schakelaar (ON/OFF) van de afstandsbediening in de stand "OFF" zodat de unit niet per ongeluk kan worden uitgeschakeld.** Als u dit niet doet, zullen de ventilatoren van de unit automatisch beginnen te draaien wanneer de stroomvoorziening wordt ingeschakeld, wat een risico voor servicepersoneel of de gebruiker tot gevolg kan hebben.
- **Gebruik niet verwarmingsapparatuur al te dicht bij de de airconditionings-unit.** Hierdoor kunnen zich uitzonderlijk hoge temperaturen ontwikkelen waardoor het kunststof paneel kan smelten of vervormen.
- **Installeer de eenheid niet in of bij een deuropening.**
- **Werk niet met een verhittingsapparaat te dicht bij de airconditioner-eenheid of gebruik in ruimte, waar minerale olie, oliedamp of oliestoom aanwezig is.** Dit kan tot gevolg hebben dat het plastic deel smelt of vervormd wordt als gevolg van de excessieve hitte of een chemische reactie.
- **Wanneer men de eenheid in de keuken gebruikt, laat dan geen bloem door de zuigkracht de eenheid binnenkomen.**
- **Deze eenheid is niet geschikt voor gebruik in de fabriek, als er oliedamp aanwezig is of het voltage sterk fluctueert.**
- **Installeer de eenheid niet in een gebied, waar een hete bron is of ook bij een olieraffinaderij, waar er sulfide-gas aanwezig is.**
- **Het is belangrijk dat de kleur van de draden van de buiten-unit en de markeringen op de aansluitingen dezelfde zijn als die van de binnen-units.**
- **BELANGRIJ: INSTALLEER OF GEBRUIK DE AIRCONDITIONER NIET IN EEN WASSERIJ.**
- **Gebruik geen doorverbonden of gedraaide draden voor de inkomende stroomvoorziening.**
- **Zorg ervoor dat er geen direct contact is tussen een behandelingsmiddel van spoelen en kunststof onderdelen.** Hierdoor kan er een chemische reactie ontstaan waardoor de kunststof onderdelen vervormen.
- **Neem voor inlichtingen over reserveonderdelen contact op met uw geautoriseerde dealer.**
- **De apparatuur is niet bedoeld om gebruikt te worden in een mogelijk explosieve atmosfeer.**

MEDEDELING

Eisen die worden gesteld aan de afvalverwerking

Uw airconditioner is gemarkeerd met dit symbool. Dit betekent dat elektrische en elektronische producten niet met ongesorteerd huishoudelijk afval mogen worden gemengd.

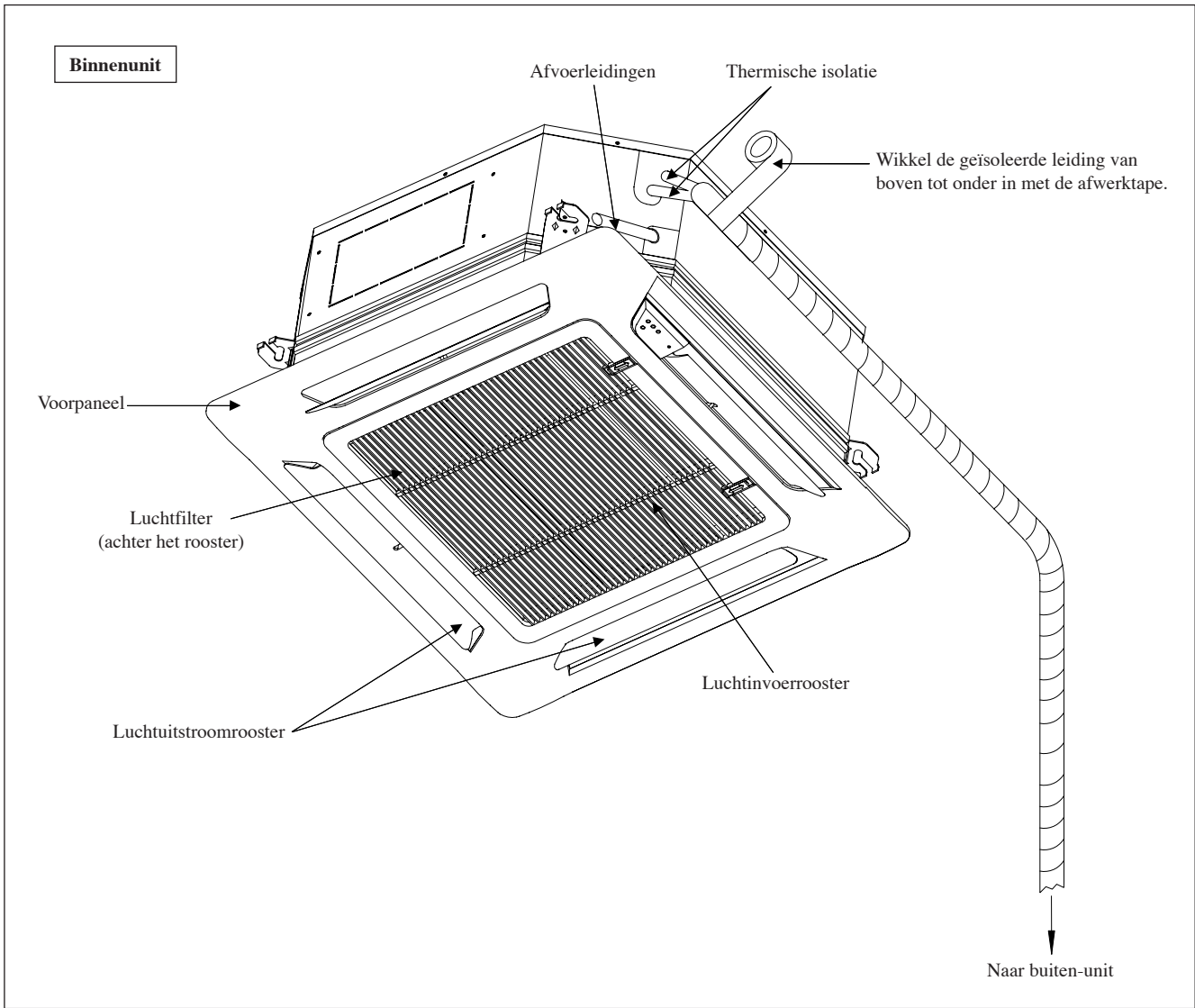
Probeer niet zelf het systeem uit elkaar te halen: het airconditioningssysteem uit elkaar halen, het behandelen van het koelmiddel, olie en andere onderdelen moet worden uitgevoerd door een vakbekwame installateur in overeenstemming met de relevante lokale en nationale wetgeving.

Airconditioners moeten worden verwerkt in een bedrijf dat is gespecialiseerd in hergebruik, recycling en terugwinning. Door ervoor te zorgen dat dit product op juiste wijze wordt verwerkt helpt u mogelijke negatieve gevolgen voor het milieu en de menselijke gezondheid te voorkomen. Neem voor informatie contact op met de installateur of de lokale overheid.

Batterijen moeten uit de afstandsbediening worden gehaald en apart worden verwerkt in overeenstemming met de relevante lokale en nationale wetgeving.



INSTALLATIESCHEMA



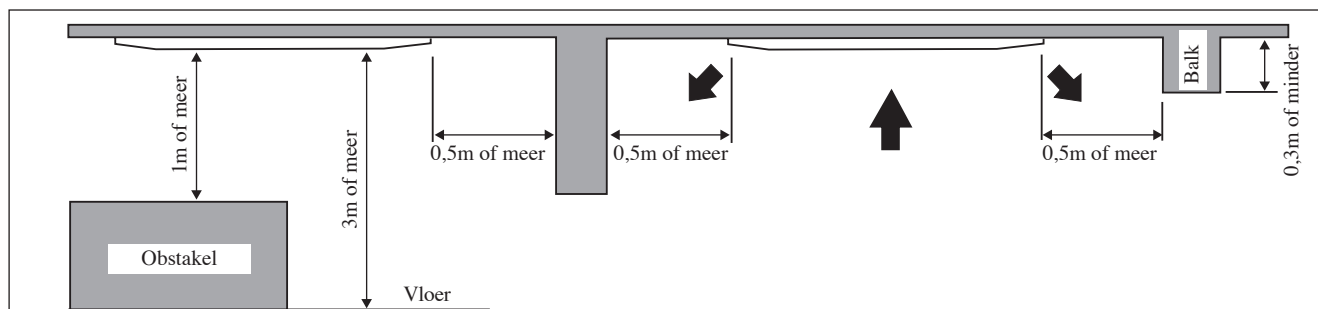
Nederlands

INSTALLATIE VAN DE BINNEN-UNIT

Inspectie vooraf van de locatie

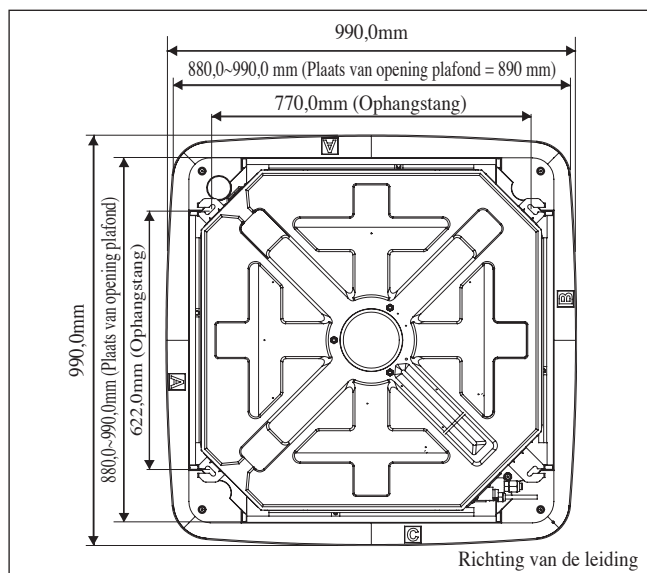
Lees vooral deze handleiding voordat u de binnen-unit van de air-conditioner installeert.

- De voedingsspanning mag niet meer dan $\pm 10\%$ afwijken van de nominale spanning. De aanvoerlijnen van de elektriciteit moeten onafhankelijk zijn van lastrafo's omdat deze grote schommelingen in de aanvoer kunnen veroorzaken.
- Het is belangrijk dat de locatie geschikt is voor de bedrading, leidingen en afvoer.
- Oefen geen druk uit op de kunststof onderdelen wanneer u de unit opent of wanneer u de unit verplaatst na opening.
- Schuif de unit niet uit de verpakking tijdens het verplaatsen, maar pak de unit pas uit op de plaats van de installatie. Gebruik veilige materialen of beschermingsplaten wanneer u de unit uitpakt of tilt, zodat beschadiging en krassen op de unit worden voorkomen.



- Zorg voor een locatie waar:
 - a) Afvoerleidingen gemakkelijk zijn aan te brengen.
 - b) Gemakkelijk bedrading en leidingen zijn aan te brengen.
 - c) Genoeg ruimte is voor werkzaamheden aan installatie en onderhoud.
 - d) Niet het risico bestaat van lekkage van brandbaar gas.
 - e) Geen obstakels staan in het pad van de uitstoot van gekoelde lucht en de retour van warme lucht en er moet rekening worden gehouden met de verspreiding van lucht door het gehele vertrek (in de buurt van het midden van het vertrek).
 - f) Er moet worden gezorgd voor vrije ruimte tussen de binnen-unit en de wand en obstakels, zoals onderstaande afbeelding laat zien.
 - g) De installatieplaats moet sterk genoeg zijn voor viermaal het gewicht van de binnen-unit, zodat wordt voorkomen dat lawaai en trillingen worden versterkt.
 - h) Op de installatieplaats (plafondoppervlak) moet een vlak oppervlak zijn gegarandeerd en de hoogte van het plafond moet 350mm of meer zijn.
 - i) De binnen-unit moet niet in de buurt staan van bronnen van warmte en stoom (installeer niet in de buurt van de ingang).

Installatie van de unit

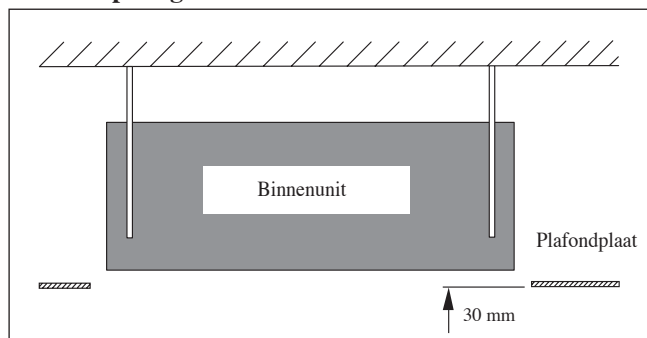


- Meet de positie van de ophangstang uit en zet markeringen. Boor het gat voor de hoekmoer in het plafond en bevestig de ophangstang.
- Het installatiesjabloon wordt uitgeschoven uitgaande van temperatuur en vochtigheid. Controleer de gebruikte afmetingen.
- De afmetingen van het installatiesjabloon zijn dezelfde als die van de plafondopening.
- Het is belangrijk dat u, voordat u het lamineerwerk voor het plafond voltooit, het installatiesjabloon in de binnen-unit monteert.

OPMERKING

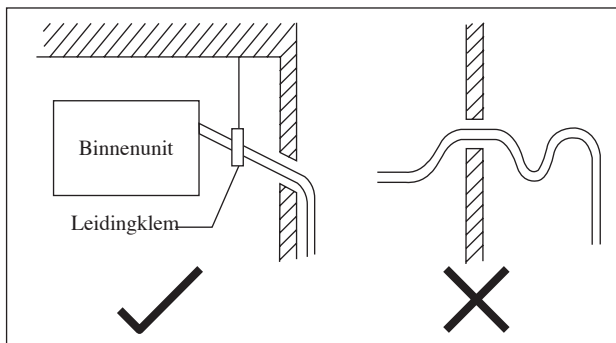
Het is belangrijk dat u het boorwerk in het plafond met de installateur bespreekt.

De unit ophangen



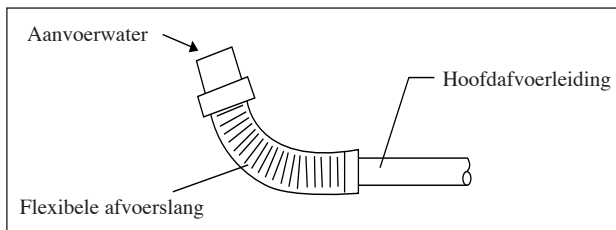
- Controleer dat de hoek van de ophangstang precies 770mm \times 622mm is.
- Houd de unit vast en hang de unit met de moer en de ring aan de ophangstang.
- Stel de hoogte van de unit af op 30 millimeter tussen het oppervlak van de onderzijde van de binnen-unit en het oppervlak van het plafond.
- Controleer met een waterpas dat de unit horizontaal is geïnstalleerd en draai de moer en bout vast zodat de unit niet kan vallen en niet kan trillen.
- Open het plafond langs de buitenste rand van het papieren installatiesjabloon.

Afvoerpompwerk



- Voor een goede afvoer moet de afvoerleiding naar beneden aflopen.
- Voorkom dat het water terug kan lopen, installeer de afvoerleiding niet in een op en neer gaande helling.
- Let er tijdens het aansluiten van de afvoerleiding goed op dat u geen extra kracht uitoefent op de afvoeraansluiting op de binnen-unit.
- De buitendiameter van de afvoeraansluiting bij de flexibele afvoerslang is 20mm.
- Het is belangrijk dat u warmte-isolatie (polyetheenschuim met een dikte van meer dan 8.0mm) aanbrengt op de afvoerleiding, zodat wordt voorkomen dat er condenswater in het vertrek drupt.

Afvoertest



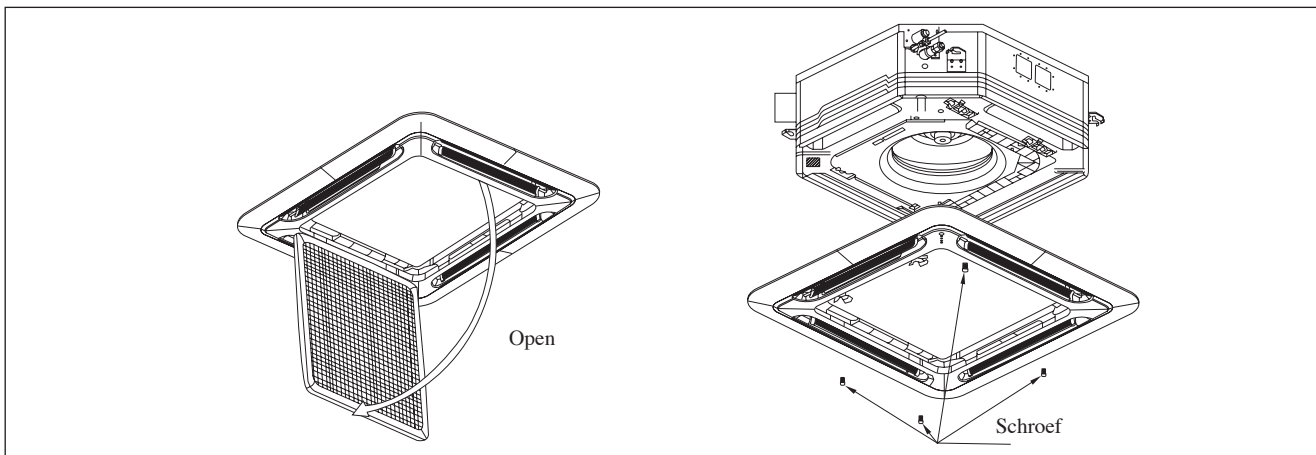
- Sluit de hoofdafvoerleiding aan op de flexibele afvoer.
- Zet waterdruk op de flexibele afvoerslang en controleer de leiding op lekkage.
- Sluit, wanneer de test is voltooid, de flexibele afvoerslang aan op de afvoeraansluiting op de binnen-unit.

OPMERKING

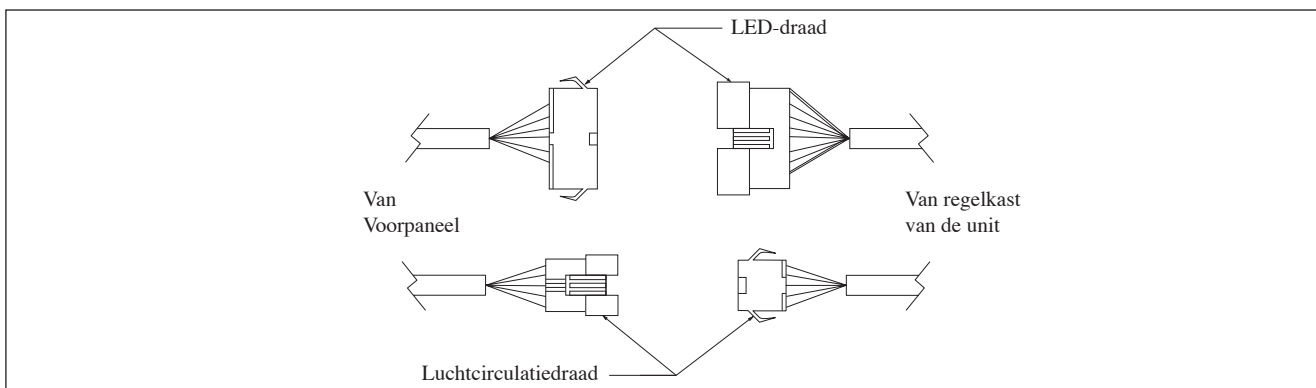
Deze binnen-unit gebruikt een afvoerpomp voor de afvoer van het gecondenseerde water. Installeer de unit horizontaal zodat wordt voorkomen dat er waterlekkage of condensatie rond de luchtuitlaat ontstaat.

Installatie van het paneel

- Het voorpaneel kan slechts in één richting worden gemonteerd, volg de richting van de leidingen. (Volg voor de leidingen de sticker met de pijl op het voorpaneel)
- Het is belangrijk dat u het installatiesjabloon verwijdert voordat u het voorpaneel installeert.

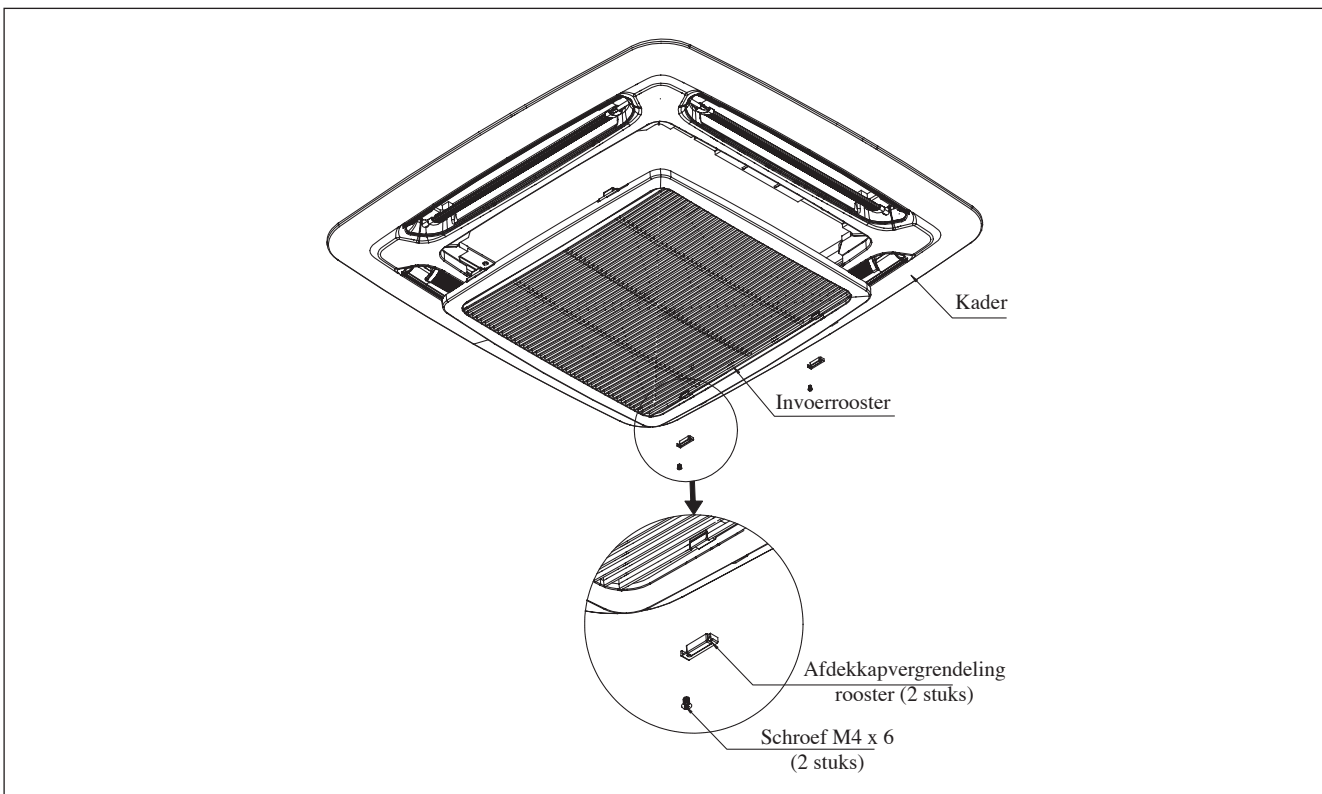


- Open het luchtinlaatrooster door de klemmen naar achteren te trekken en het rooster samen met het filter uit het paneel te halen.
- Installeer het voorframepaneel met 4 schroeven in de binnen-unit en zet het helemaal vast zodat lekkage van koude lucht wordt voorkomen.
- Sluit de LED-draad en de luchtcirculatie draad aan op de binnen-unit.
- De luchtzwenkconnector moet in de regelkast worden gezet nadat de aansluiting is gemaakt.



Afdekkapvergrendeling Rooster (Beveiliging zodat gebruiker het bewegende gedeelte niet kan aanraken)

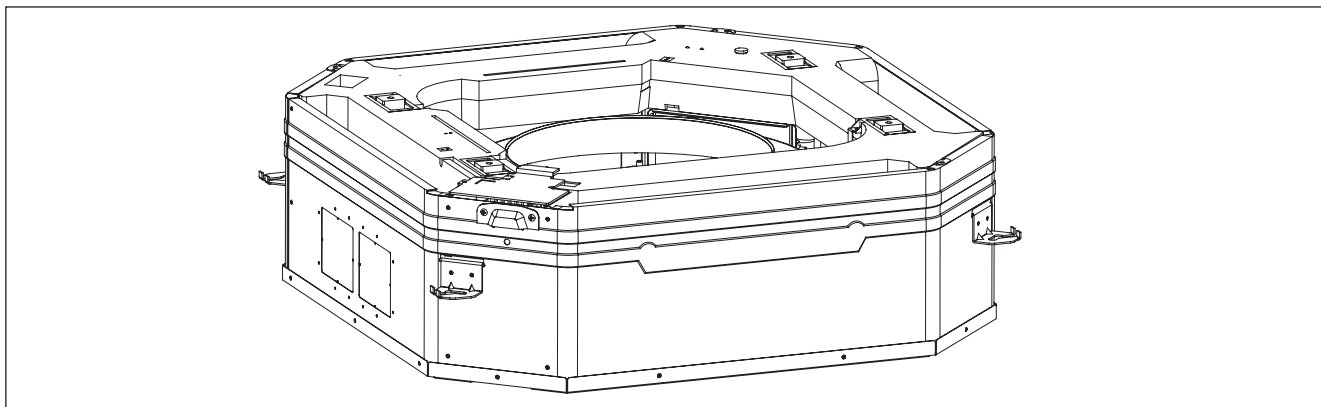
De afdekkapvergrendeling van het rooster moet worden geïnstalleerd zoals in onderstaande afbeelding wordt getoond.



Als de unit moet worden nagezien, moeten onderstaande stappen worden gevolgd.

1. Controleer dat de unit is uitgeschakeld voordat u servicewerkzaamheden aan de unit verricht.
2. Draai met een schroevendraaier de schroef op de afdekkapvergrendeling van het rooster los.
3. Verwijder de afdekkapvergrendeling van het rooster en open het invoerrooster zodat u de unit kunt nazien.
4. Installeer het invoerrooster en schroef de afdekkap vast na de werkzaamheden en controleer dat de unit goed is geïnstalleerd.

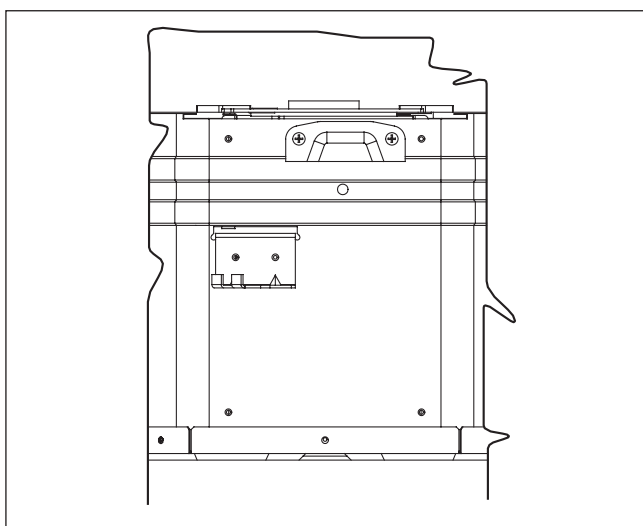
Installatie van draden



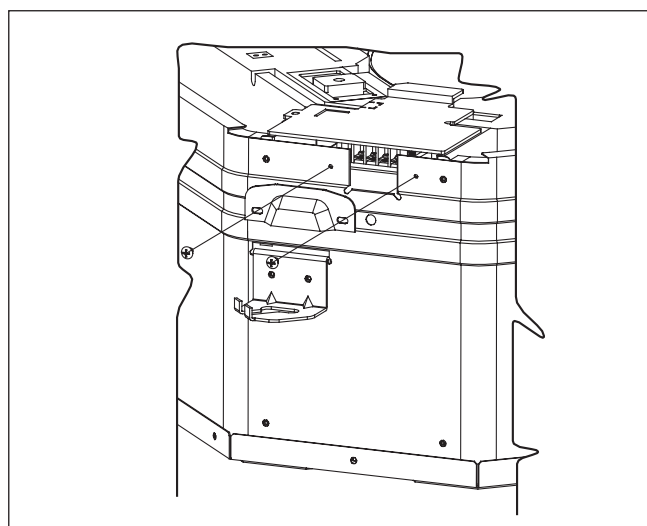
Afbeelding 1

Afbeelding 1 en Afbeelding 2 tonen de locatie van de afdekking van de draden in de binnen-unit.
Stappen voor het installeren van draden voor de stroomvoorziening en de draden vanaf de buiten-unit.

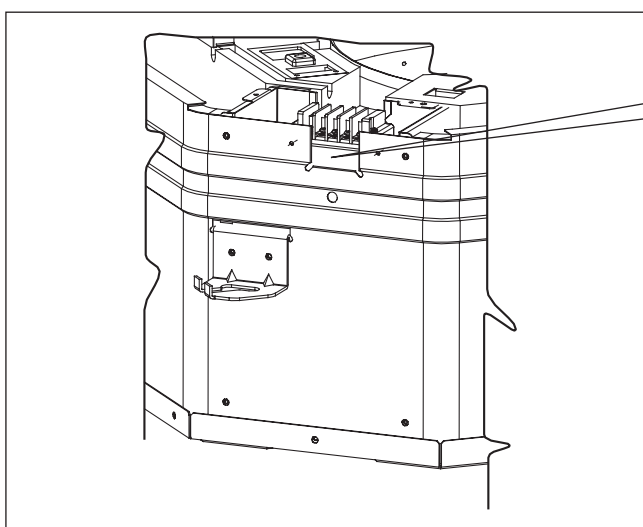
1. Verwijder afdekking van de draden door 2 schroeven uit te draaien, zoals Afbeelding 3 laat zien.
2. Draden lopen door het gat zoals wordt getoond in respectievelijk Afbeelding 4 en 5 zonder dat de hoogte van het gat wordt overgestoken.
3. Daarna wordt de afdekking van de draden weer gemonteerd en toegang tot de draden afgesloten.



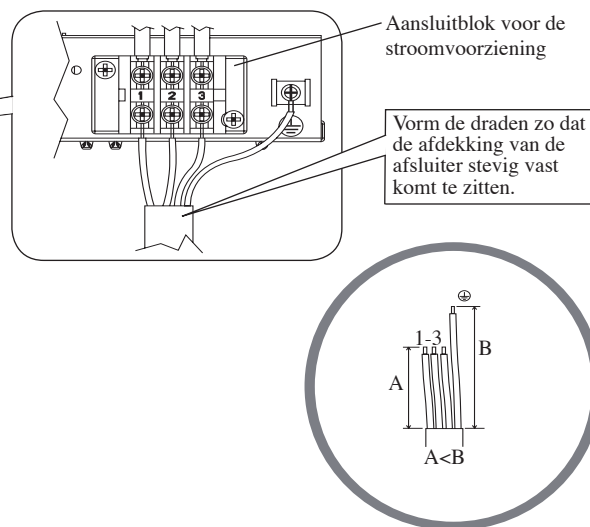
Afbeelding 2



Afbeelding 3



Afbeelding 4



Afbeelding 5

⚠ LET OP

Installeer de unit niet op een hoogte boven 2000 meter, niet de binnen- en niet de buiten-unit.

Werkzaamheden aan leidingen en optromptechniek

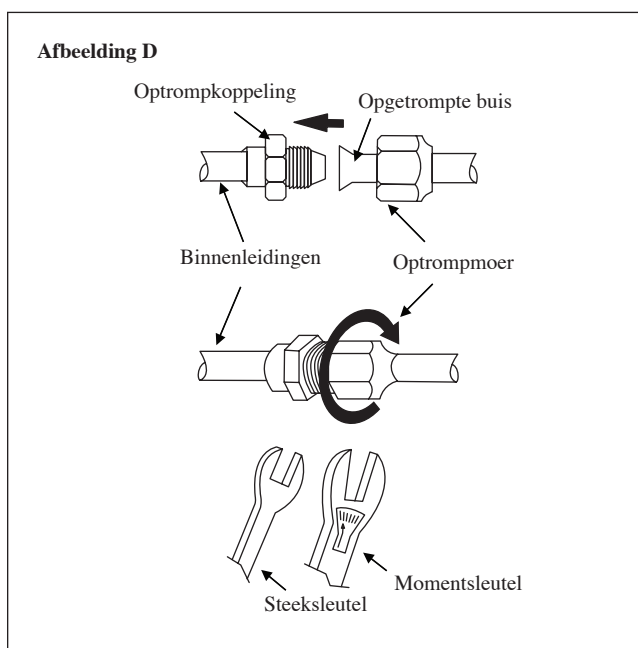
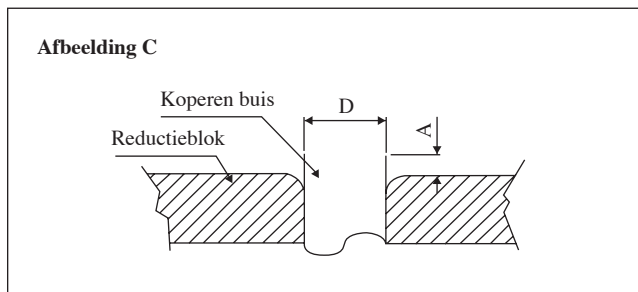
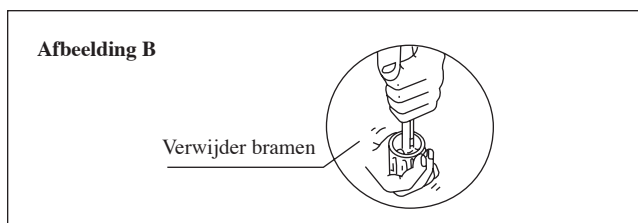
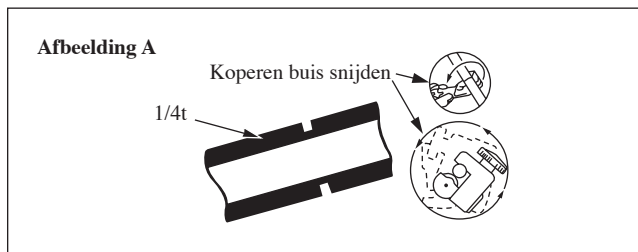
- Gebruik geen vervuilde of beschadigde koperen leiding. Als leidingen, de verdampers of de condensator bloot zijn komen te liggen of zijn geopend voor langer dan 15 seconden, moet de lucht aan het systeem worden onttrokken. Over het algemeen mag u geen kunststof, rubberen afdichtingen en koperen moeren van de afsluiters, installatiemateriaal, leidingen en spoelen verwijderen totdat de aanzuig- of vloeistofleiding op de afsluiters of het installatiemateriaal kan worden aangesloten.
- Als hardsoldeerwerk nodig is, zorg er dan voor dat er stikstofgas door de spoel en de koppelingen wordt gestuurd, terwijl het hardsoldeerwerk wordt uitgevoerd. Dit voorkomt de roetvorming op de binnenwanden van de koperen leidingen.
- Voer het snijden van de leiding deel voor deel uit, breng het snijvlak van de pijpsnijder langzaam naar voren. Extra kracht en een diepe zaagsnede veroorzaakt meer vervorming op de leiding en daardoor de vorming van extra bramen. Zie Afbeelding A.
- Verwijder bramen van de snijvlakken van de leidingen met ontbraamgereedschap zoals wordt getoond in Afbeelding B. Hierdoor wordt voorkomen dat er ongelijkmatigheden zouden kunnen ontstaan op de vlakken van het optrompedeelte en wordt lekkage voorkomen. Houd de leiding omhoog en het ontbraamgereedschap omlaag zodat wordt voorkomen dat metaalsnippers de leiding binnendringen.
- Zet de optrompmoeren, gemonteerd op aansluitgedeelten van zowel de binnen-unit als de buiten-unit, in de koperen leidingen.
- Het optrompgereedschap bepaalt de juiste lengte van het gedeelte van de leiding dat boven het bovenoppervlak van het reductieblok uitsteekt. Zie Afbeelding C.
- Zet de leiding stevig vast op het reductieblok. Pas de middelpunten van zowel het optrompstempel en de optromppons op elkaar aan en zet vervolgens de optromppons volledig vast.

Aansluiting van leidingen op de units

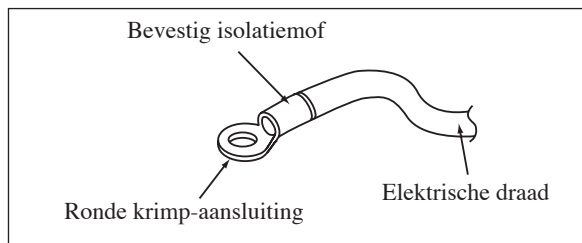
- Houd het midden van de leidingen tegenover elkaar en draai de optrompmoer voldoende met de vingers vast. Zie Afbeelding D.
- Draai ten slotte de optrompmoer vast op de binnenleiding tot de sleutel klikt.
- Wanneer u de optrompmoer aandraait met de momentsleutel, is het belangrijk dat de aandraairichting de pijl volgt die op de sleutel staat aangeduid.
- De aansluiting van de koelmiddelleiding is geïsoleerd met polyethaan met gesloten cellen.

Leidingmaat (mm/in)	Draaimoment Nm/(ft-lb)
6,35 (1/4")	18 (13,3")
9,52 (3/8")	42 (31,0")
12,70 (1/2")	55 (40,6")
15,88 (5/8")	65 (48,0")
19,05 (3/4")	78 (57,6")

Ø buis, D		A (mm)	
Inch	mm	Engelse maat (Vleugelmoertype)	Onbuigbaar (Koppelingtype)
1/4"	6,35	1,3	0,7
3/8"	9,52	1,6	1,0
1/2"	12,70	1,9	1,3
5/8"	15,88	2,2	1,7
3/4"	19,05	2,5	2,0



- Alle draden moet stevig worden aangesloten.
- Controleer dat geen van de draden de koelmiddelleidingen, de compressor of welke bewegende delen dan ook kan raken.
- De verbindingsdraad tussen de binnen-unit en de buiten-unit moeten worden vastgeklemd met behulp van de bijgeleverde draadverankering.
- Het netsnoer moet ten minste voldoen aan de norm H07RN-F.
- Controleer dat er geen externe druk wordt uitgeoefend op de aansluitingen en de draden.
- Controleer dat alle afdekkingen goed zijn vastgezet zodat er geen kieren ontstaan.
- Gebruik voor het aansluiten van draden op het voedingsaansluitingsblok ronde krimpbevestiging. Sluit de draden aan volgens de aanwijzing op het aansluitblok. (Raadpleeg het bedradingsschema dat op de unit is bevestigd).



- Zet de schroeven met de juiste schroevendraaier vast op de aansluitschroeven. U zou de schroefkoppen kunnen beschadigen wanneer u een ongeschikte schroevendraaier gebruikt.
- U kunt de aansluitschroeven beschadigen wanneer u de schroeven te vast zet.
- Zet geen draden van verschillende afmetingen vast op dezelfde aansluiting.
- Houd de bedrading netjes geordend. Zorg ervoor dat de bedrading niet andere onderdelen en de afdekking van de aansluitkast in de weg kan zitten.



SPECIALE VEILIGHEIDSMATREGELEN, WANNEER U MET EEN R410A-APPARAAT OMGAAT

R410A is een nieuw HFC-koelmiddel dat de ozonlaag niet beschadigt. De werkdruk van dit nieuwe koelmiddel is 1,6 keer hoger dan die van conventionele koelmiddelen (R22) en daarom is juiste installatie / juist onderhoud van essentieel belang.

- Gebruik nooit een ander koelmiddel dan R410A in een airconditioner die is ontworpen voor gebruik van R410A.
- POE- of PVE-olie wordt gebruikt als smeermiddel voor de R410A-compressor, en deze olie verschilt van de minerale olie die wordt gebruikt voor de R22-compressor. Tijdens installatie of reparatie moet er op gelet worden, dat het R410A-systeem niet te lang wordt blootgesteld aan vochtige lucht. Resten van polyesterolie in de leidingen en in de componenten kunnen vochtigheid uit de lucht absorberen.
- Ter voorkoming van een vergissing bij het laden verschilt de diameter van de onderhoudspoort op de optrompklep van die van R22.

- Gebruik gereedschap en materialen die uitsluitend bedoeld zijn voor het koelmiddel R410A. Gereedschap dat uitsluitend bedoeld is voor R410A zijn een meerwegafsluiter, laadslang, drukmeter, gaslekdetector, optrompgereedschap, momentsleutel, vacuümpomp en een cilinder met koelmiddel.
- Omdat in een R410A-airconditioner een hogere druk heerst dan in R22-units, is het van essentieel belang dat de juiste koperen leidingen worden gekozen. Gebruik nooit koperen leidingen dunner dan 0,8mm, ook al zijn die verkrijgbaar.
- Als er tijdens de installatie-/onderhoudswerkzaamheden lekkage van koelmiddelgas optreedt, is het belangrijk dat u goed ventileert. Als het koelmiddelgas in contact komt met vuur, kan een giftig gas ontstaan.
- Laat, wanneer u een air-conditioner installeert of weghaalt, geen lucht of vocht in de koelmiddelcyclus achter.

VACUÛM MAKEN EN LADEN

Het vacuümtrekken van het systeem is noodzakelijk om alle vocht en lucht te onttrekken.

De leidingen en de binnen-unit vacuümtrekken

De binen-unit en de leidingen van de koelmiddelaansluiting moeten van lucht worden ontdaan omdat lucht die vocht bevat en in de koelmiddelcyclus achterblijft, storing van de compressor kan veroorzaken.

- Verwijder de afdekkingen van de afsluiter en de onderhoudspoort.
- Sluit het midden van de laadmeter op de vacuümpomp aan.
- Sluit de laadmeter aan op de onderhoudspoort van de 3-wegafsluiter.

- Start de vacuümpomp. Trek het systeem vacuüm gedurende ongeveer 30 minuten. De tijd die het vacuümtrekken vraagt, varieert afhankelijk van de capaciteit van de vacuümpomp. Controleer dat de naald van de laadmeter naar -760mmHg is gegaan.

Let op

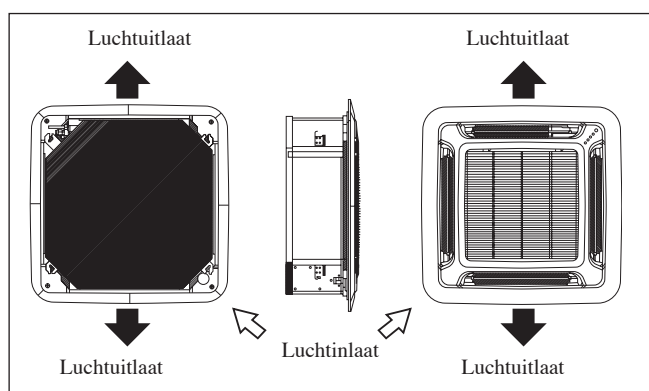
- Als de naald van de meter niet naar -760mmHg gaat, is het belangrijk dat u het systeem controleert op gaslekken (met de koelmiddeldetector) bij de opgetrompte aansluiting van de binnen- en buiten-unit en dat u het lek dicht voordat u verdergaat naar de volgende stap.
- Sluit de afsluiter van de laadmeter en zet de vacuümpomp stil.

BIJKOMENDE ONDERDELEN

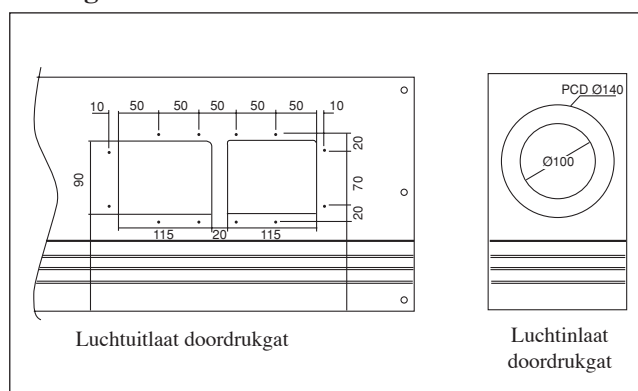
Specificatie korte leiding

- De binnen-unit is voorzien van een “doordruk”-gat voor de aansluiting van leidingen voor luchtuitstoot en luchtinlaat. Mogelijk bevindt zich slechts aan één zijde de aansluiting voor de korte leiding voor luchtuitstoot.
- Het gebruik van de korte leiding voor luchtuitstoot zal de verdeling van de luchtstroom verbeteren, als er een obstakel (zoals een verlichtingsarmatuur) is of in het geval van een lang, smal vertrek of een L-vormig vertrek. Het is ook bedoeld voor het gebruik van de airconditioner voor twee vertrekken tegelijkertijd.

Mogelijke richting voor luchtuitstoot en luchtinlaat



Mogelijke afmeting opening voor aansluiting leiding



OPMERKING

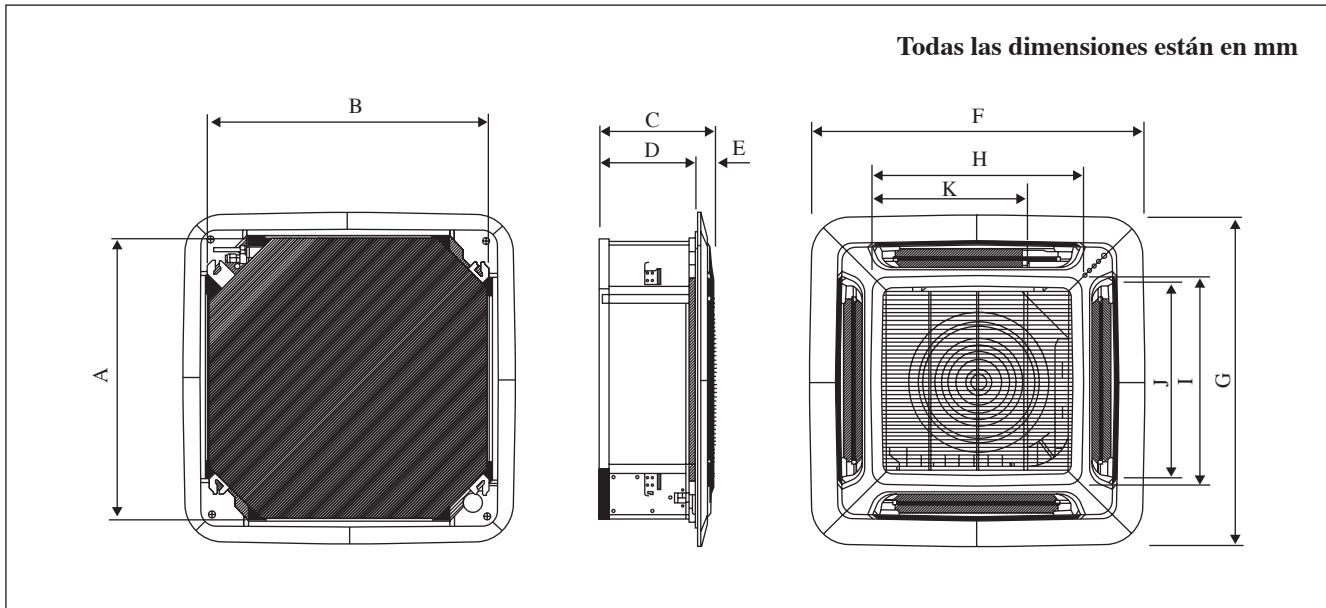
- Gebruik de korte leiding niet wanneer het luchtuitstootrooster volledig kan worden gesloten, zodat wordt voorkomen dat de verdamper bevroert.
- Als u wilt voorkomen dat zich condensatie vormt is het belangrijk dat er voldoende thermische isolatie wordt aangebracht en er geen lekkage van koude lucht is wanneer de korte leiding is geïnstalleerd.
- Houd de introductie van de inname van frisse lucht op minder dan 20% van de totale luchtstroom. Zorg ook voor een kamer en gebruik een aanjaagventilator.

Afdichtingsmateriaal

- Het is mogelijk één van de vier luchtuitlaten af te dichten. (wanneer u twee of meer luchtuitlaten afdicht, kan dat storingen tot gevolg hebben)
- Verwijder het voorpaneel en dicht de luchtuitlaat af door het afdichtingsmateriaal in de luchtuitlaat op de binnen-unit te zetten.
- Het afdichtingsmateriaal is van dezelfde lengte als de langere luchtuitlaat. Als u de kortere luchtuitlaat wilt afdichten, snijd het afdichtingsmateriaal dan op lengte.
- Duw het afdichtingsmateriaal ongeveer 10mm naar binnen in het bodemoppervlak van de binnen-unit, zo dat het niet het luchtrooster raakt. Duw het afdichtingsmateriaal niet meer dan ongeveer 10mm naar binnen

ESQUEMA Y DIMENSIONES

Unidad Interior ACQ 71 / 100 / 125 BV1



Dimensión	A	B	C	D	E	F	G	H	I	J	K
Modelo											
ACQ 71 BV1	820	820	340	300	40	990	990	627	627	607	430
ACQ 100 BV1 / ACQ 125 BV1	820	820	375	335	40	990	990	627	627	607	430

Español

Traducción de las instrucciones originales

MANUAL DE INSTALACIÓN

Este manual facilita instrucciones de instalación que garantizan un seguro y buen funcionamiento de la unidad de aire acondicionado.

Es posible que sea necesario realizar un ajuste especial para adecuarse a los requisitos locales.

Por favor, antes de usar su equipo de aire acondicionado, lea cuidadosamente este manual de instrucciones, y consérvelo para futuras consultas.

Este aparato está diseñado para ser utilizado por especialistas o usuarios formados, en tiendas, industria ligera y en granjas, o para uso comercial por personas no expertas.

Este equipo no está previsto para ser utilizado por personas con discapacidades físicas, sensoriales o psicológicas, incluyendo a los niños, al igual que personas sin experiencia o conocimientos necesarios para ello, a menos que dispongan de una supervisión o instrucciones sobre el uso del equipo proporcionadas por una persona responsable de su seguridad.

Deberá vigilarse a los niños para evitar que jueguen con el aparato.





PRECAUCIONES DE SEGURIDAD

⚠ ADVERTENCIA

- La instalación y el mantenimiento deben ser realizados por personas calificadas que estén familiarizadas con el código y los reglamentos locales y que tengan experiencia en este tipo de equipo.
- Todo el cableado de campo debe instalarse de acuerdo al reglamento de cableado nacional.
- Antes de comenzar la instalación eléctrica de acuerdo con el diagrama de cableado, asegúrese de que el voltaje nominal de la unidad se corresponde con el de la placa de identificación.
- La unidad debe estar PUESTA A TIERRA para evitar posibles peligros debidos a fallas del aislamiento.
- Ningún cable eléctrico debe tocar el conducto de refrigeración ni ninguna parte móvil de los motores de ventilación.
- Antes de iniciar la instalación o reparación de la unidad, asegúrese de que ha sido apagada (OFF).
- Desconéctela de la fuente de energía principal antes de una revisión de la unidad de acondicionador de aire.
- NO tire del cable de energía cuando esté en funcionamiento. Esto puede causar graves sacudidas lo que puede producir un incendio.
- Mantenga las unidades interiores y exteriores, el cable de corriente y el cableado de transmisión, como mínimo a 1 metro de las TVs y radios, para evitar imágenes distorsionadas y estáticas. {Dependiendo del tipo y fuente de ondas eléctricas, se mostrarán estáticas incluso a más de 1 metro de distancia}.

⚠ PRECAUCIÓN

Asegúrese de seguir durante la instalación los siguientes puntos importantes.

- **No instale la unidad ahí donde pueda haber fuga de gas inflamable.**
 Si el gas se escapa y se acumula alrededor de la unidad, podría iniciarse un incendio.
- **Asegúrese de que la tubería de desagüe está conectada correctamente.**
 Si la tubería de desagüe no está conectada correctamente se puede producir una fuga de agua que mojaría los muebles.
- **No sobrecargue la unidad.**
 Esta unidad está pre-cargada en fábrica. Su sobrecarga ocasionará sobre-corriente o rotura del compresor.
- **Asegúrese de que el panel de la unidad vuelve a cubrirla bien colocado o de cualquier reparación.**
 Un panel mal sujetado hará que la unidad haga ruido al funcionar.
- **Los extremos afilados y superficies de la bobina son lugares potenciales que podrían provocar peligro de lesiones.**
- **Evite todo contacto con estas partes.**
- **Antes de desenchufar la fuente de energía, coloque el interruptor de control remoto ON/OFF en posición "OFF" para impedir la molesta activación de la unidad.** Si no es así, los ventiladores de la unidad empezarán a girar automáticamente cuando se restablezca la corriente, significando un peligro para el personal técnico o para el usuario.
- **No opere aparatos de calor cerca de la unidad de aire acondicionado.** Esto podría derretir el panel de plástico o deformarlo como resultado del calor excesivo.
- **No instale las unidades en o cerca de la puerta.**
- **No opere aparatos de calor cerca de la unidad de aire acondicionado ni los utilice en una habitación donde haya aceite mineral, vapor de aceite ya que eso puede provocar que una pieza de plástico se derrita o deforme como resultado del calor excesivo o de una reacción química.**
- **Cuando la unidad se utilice en la cocina, evite que entre harina en la zona de aspiración de la unidad.**
- **Esta unidad no es adecuada para su uso en fábricas donde haya niebla de aceite cortante o haya polvo de acero o en zonas donde el voltaje fluctúe mucho.**
- **No instale las unidades en un lugar como un muelle caliente o una planta refinadora de petróleo donde haya gases sulfúricos.**
- **Asegúrese de que el color de los cables de la unidad exterior y de las marcas de la terminal son iguales a los de la unidad interior respectivamente.**
- **¡IMPORTANTE: NO INSTALE O UTILICE LA UNIDAD DE AIRE ACONDICIONADO EN UNA HABITACIÓN DE LAVANDERÍA.**
- **No utilice cables con líos o juntas para la alimentación entrante.**
- **Evite el contacto directo de cualquier limpiador de tratamiento de serpentín en la parte plástica. Esto podría provocar deformaciones en la parte plástica como resultado de una reacción química.**
- **Para cualquier duda sobre piezas de recambio, póngase en contacto con su proveedor autorizado.**
- **El equipamiento no es aplicable para un ambiente potencialmente explosivo.**

AVISO

Requisitos para la eliminación

Su acondicionador de aire está marcado con este símbolo. Esto significa que los productos eléctricos y electrónicos no deben mezclarse con el resto de residuos domésticos no clasificados.

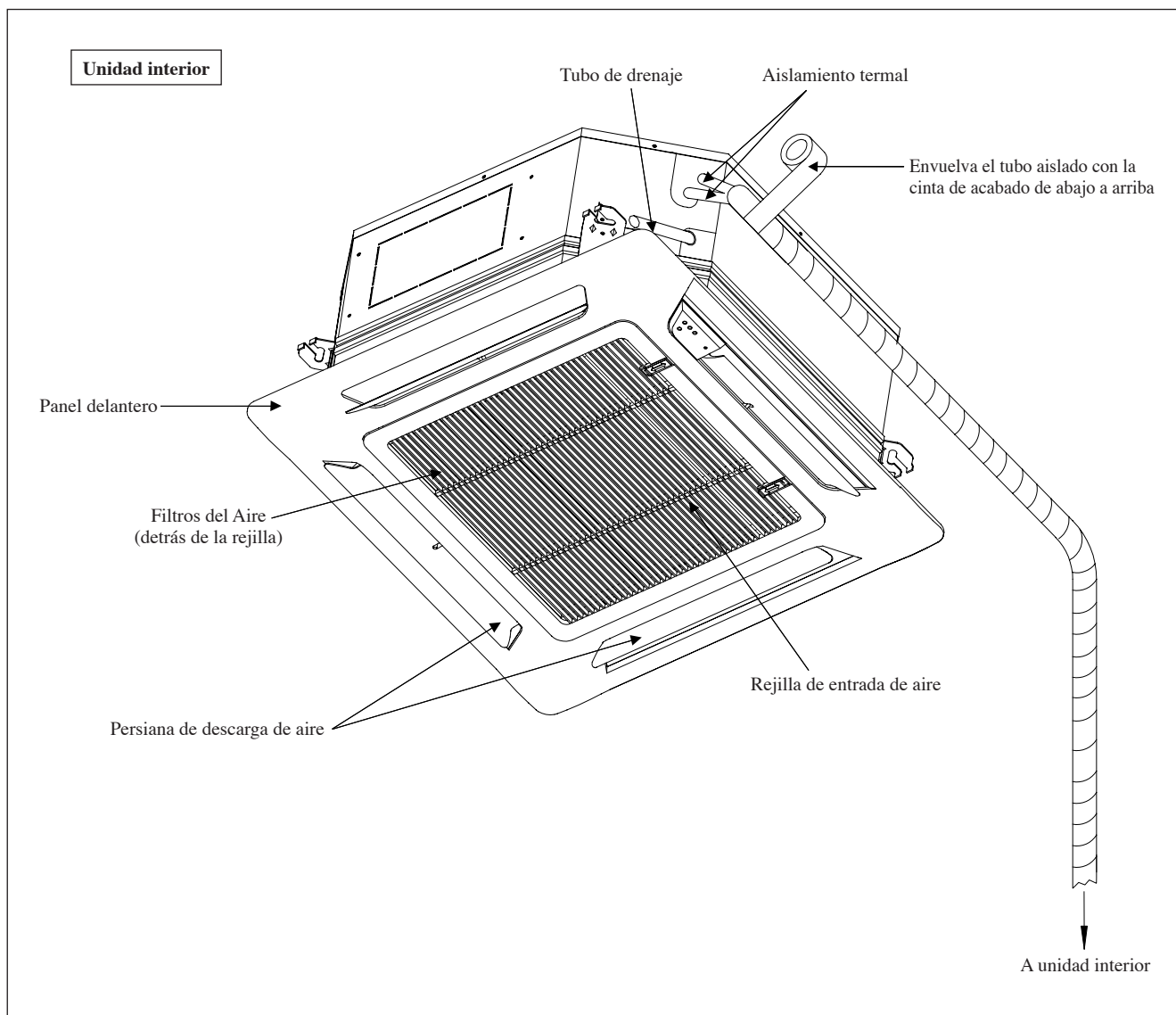
No intente desmontar el sistema usted mismo: El desmantelamiento del acondicionador de aire, así como el tratamiento del refrigerante, aceite y otros componentes, debe ser efectuado por un instalador competente de acuerdo con las normas locales y nacionales aplicables.

Los acondicionadores de aire deben ser tratados en instalaciones especializadas para su reutilización, reciclaje y recuperación. Al asegurarse de desechar este producto de la forma correcta, está contribuyendo a evitar posibles consecuencias negativas para el entorno y para la salud de las personas. Contacte, por favor, con el instalador o con las autoridades locales para obtener más información.

Las pilas del control remoto deben extraerse y eliminarse por separado y de acuerdo con la normativa local y nacional aplicable.



DIAGRAMMA DE LA INSTALACIÓN



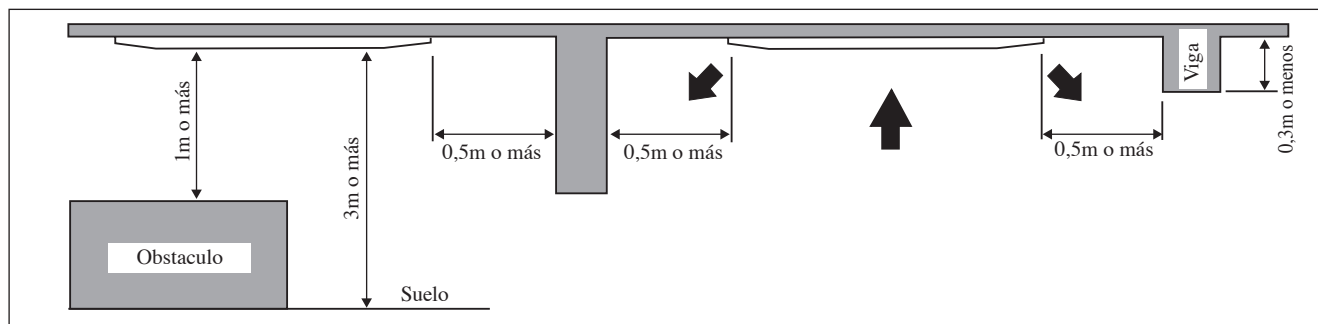
Español

INSTALACIÓN DE LA UNIDAD INTERIOR

Revisión preliminar del lugar

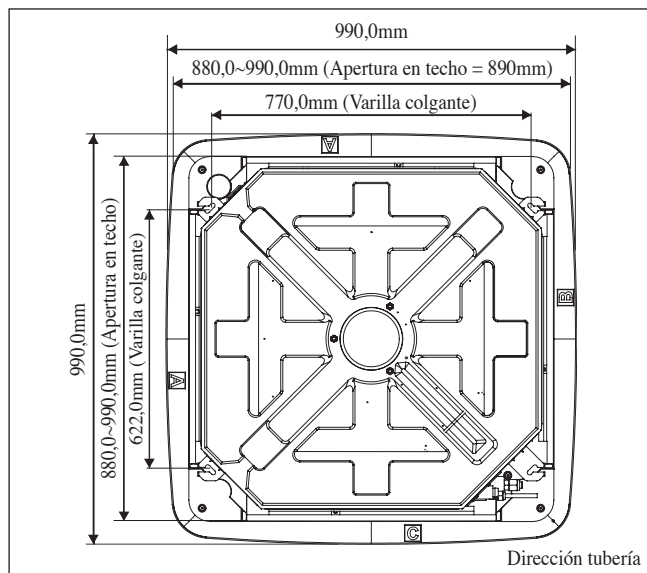
No deje de leer este manual antes de instalar la unidad interior del acondicionador de aire.

- La fluctuación de voltaje del suministro eléctrico no debe ser superior a $\pm 10\%$ del voltaje nominal. Las líneas de suministro de electricidad deben ser independientes de los transformadores de soldadura que pueden causar una fluctuación alta en el suministro.
- Asegúrese de que el emplazamiento sea adecuado para el cableado, las tuberías y el drenaje.
- No ejerza presión sobre las piezas de resina al abrir la unidad o al moverla después de abrirla.
- No extraiga la unidad del embalaje al transportarla, hasta que llegue al lugar de instalación. Utilice material de seguridad o planchas de protección al desembalar o alzar la unidad para evitar dañarla o rayarla.



- Busque una ubicación:
 - a) Donde pueda efectuarse fácilmente el drenaje.
 - b) Que sea conveniente para el cableado y la tubería.
 - c) Que tenga suficiente espacio para el montaje y el mantenimiento.
 - d) Donde no haya riesgo de fugas de gases inflamables.
 - e) Que esté libre de obstáculos en la salida de aire frío y el retorno del aire caliente, y que permita difundir el aire por toda la habitación (cerca del centro).
 - f) La unidad de interiores debe estar separada de la pared y de otros obstáculos como se muestra en el gráfico siguiente.
 - g) El lugar de instalación debe ser lo suficiente robusto como para soportar una carga superior a 4 veces el peso de la unidad interior para evitar la amplificación del ruido y de vibraciones.
 - h) El lugar de instalación (superficie manejable de techo) debe asegurar que la nivelación y la altura del techo sea de 350mm o más.
 - i) La unidad interior debe estar alejada de fuentes de calor y vapor (evite la instalación cerca de una entrada).

Unidad De Instalación

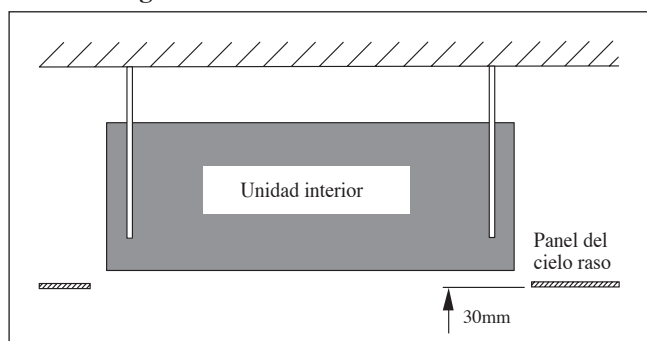


- Tome medidas y marque la posición para la varilla colgante. Taladre el agujero para la tuerca del techo y fije la varilla colgante.
- La instalación de la placa base se extiende de acuerdo con la temperatura y humedad. Revise las dimensiones durante el uso.
- Las dimensiones de la placa base de instalación posee las mismas dimensiones que la abertura del techo.
- Cuando el trabajo de laminación del techo no esté completo, asegúrese de fijar la placa base de instalación a la unidad interior.

NOTA

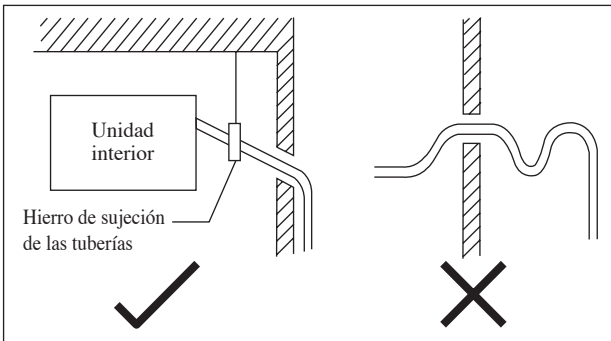
Recuerde coordinarse con los instaladores del aparato sobre el trabajo de taladro del techo.

Unidad Colgante



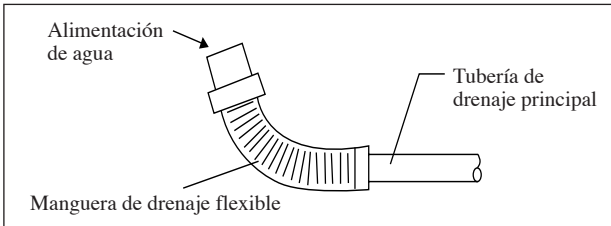
- Confirme que el emplazamiento de la varilla colgante sea de 770mm x 622mm.
- Sostenga la unidad y cuélguela del soporte colgante usando la tuerca y la arandela.
- Ajuste la altura de la unidad a 30mm entre la superficie inferior de la unidad interior y la superficie del techo.
- Confirme con un calibrador de nivel que la unidad esté instalada horizontalmente y, apriete la tuerca y el tornillo para prevenir que la unidad caiga y vibre.
- Abra la placa del techo a lo largo del extremo exterior de la placa base de papel de viga instalación.

Trabajo de bomba de drenaje



- La tubería de drenaje debe estar en pendiente para un drenaje fluido.
- Evite que la tubería presente diversas inclinaciones para evitar que el flujo de agua cambie de dirección.
- Durante la conexión de drenaje de tuberías, debe evitarse la aplicación de una fuerza extra en el conector de drenaje de la unidad interior.
- El diámetro exterior de la conexión de drenaje en la manguera flexible de drenaje es de 20mm.
- Asegúrese de ejecutar el aislamiento de calor (espuma de poliestireno con un grosor superior a 8,0mm) en la tubería de drenaje para evitar que el agua condensada gotee dentro de la habitación.

Prueba de drenaje



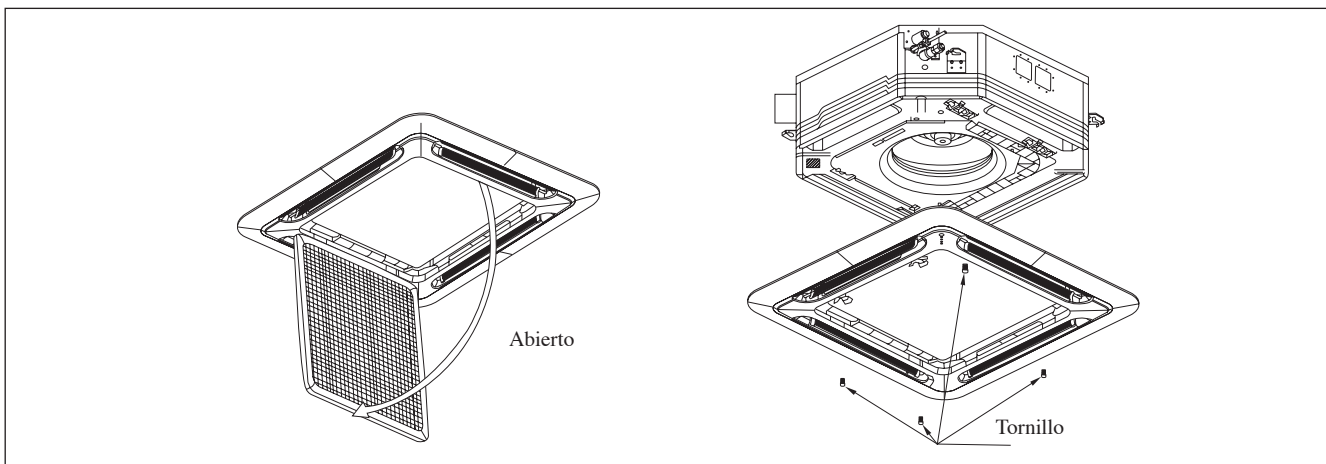
- Conecte la tubería de drenaje principal a la manguera de drenaje.
- Realice la alimentación de agua que procede de la manguera de drenaje flexible y revise que no existan pérdidas en las tuberías.
- Cuando haya terminado la prueba, conecte la manguera de drenaje flexible al conector de drenaje de la unidad interior.

NOTA

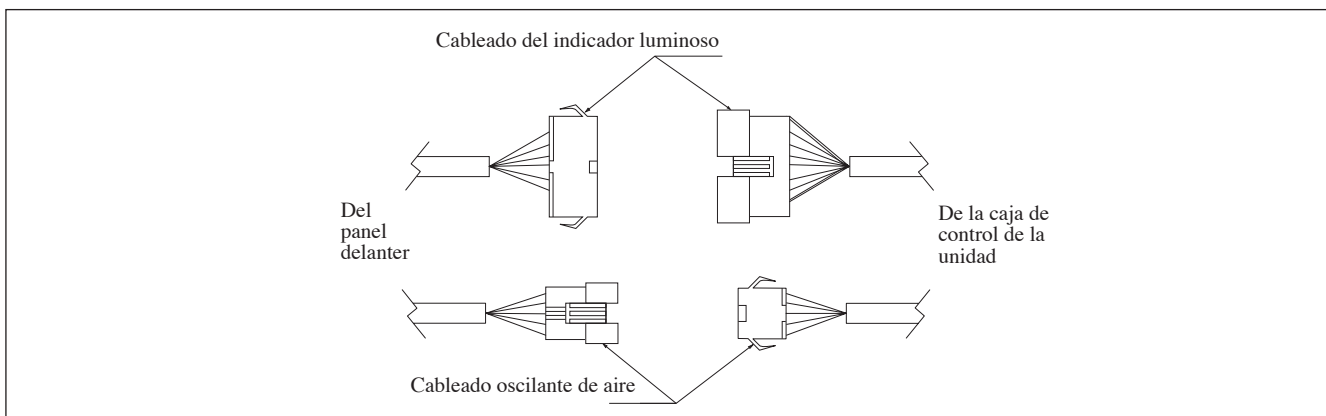
Esta Unidad Interior usa una bomba de drenaje para drenar agua condensada. Instale la unidad horizontalmente para prevenir pérdidas de agua o condensación alrededor de la salida de aire.

Panel de Instalación

- El panel delantero sólo puede ajustarse en una dirección, siga la dirección de la tubería. (Siga la flecha del adhesivo de la tubería en el panel delantero)
- Asegúrese de retirar la placa base de instalación antes de instalar el panel delantero.

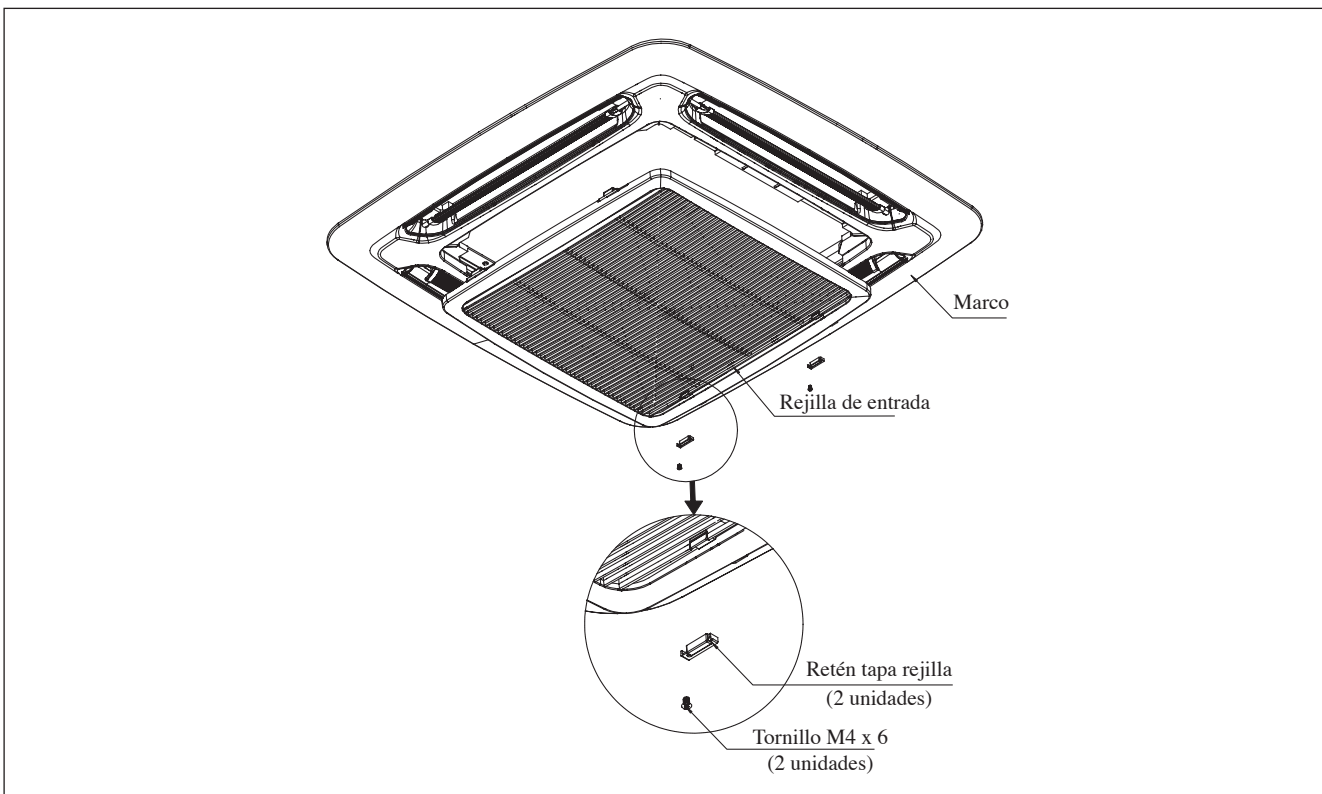


- Abra la rejilla de entrada de aire reteniendo los receptores y retirándolos junto con el filtro del panel.
- Instale la estructura del panel delantero en la unidad interior con 4 tornillos y ajústela completamente para prevenir pérdidas de aire frío.
- Conecte el cableado del indicador luminoso y cableado oscilante de aire a la unidad interior.
- El conector de giro de aire deberá ponerse dentro de la caja de control después de ser conectado.



Retén Tapa Rejilla (Protección contra contacto del usuario con partes móviles)

El retén de la tapa rejilla se debe instalar como se indica en el gráfico siguiente.



Si la unidad necesita servicio técnico, se deben seguir los pasos siguientes:

1. Confirme que la unidad esté apagada antes de proceder.
2. Use un destornillador para desbloquear el tornillo del retén de la tapa rejilla.
3. Extraiga el retén de la tapa rejilla y abra la rejilla de entrada para el servicio.
4. Después del servicio instale la rejilla de entrada y atornille el retén respectivo y verifique que la unidad esté correctamente instalada.

Cableado

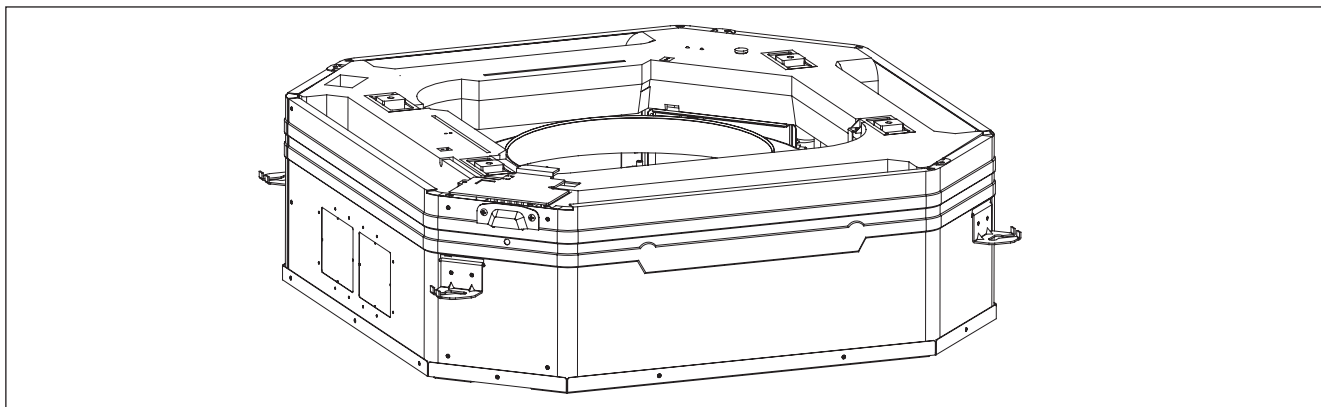


Figura 1

Los Figura 1 y 2 exponen la ubicación de la tapa de cables en la unidad interior

Pasos para instalar los conductores de la fuente de alimentación y conductores de la unidad de exteriores.

1. Extraiga la tapa de cables quitando los 2 tornillos como se muestra en el Figura 3.
2. Los cables se pasarán por el orificio como se muestra en los Figura 4 y 5 respectivamente sin sobrepasar la altura del orificio.
3. Después de eso, se volverá a montar la tapa de cables.

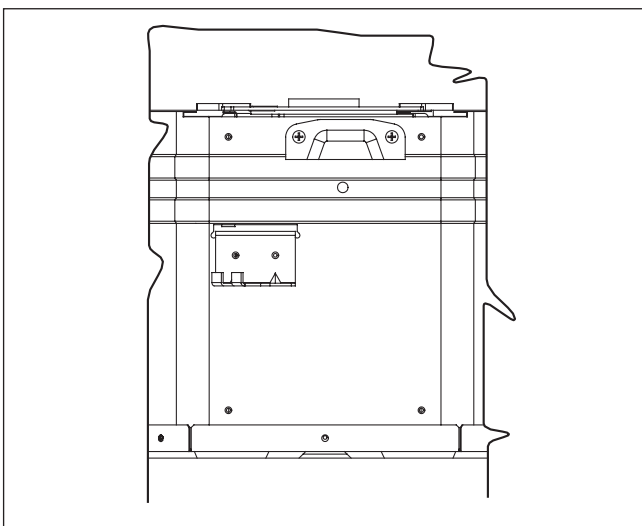


Figura 2

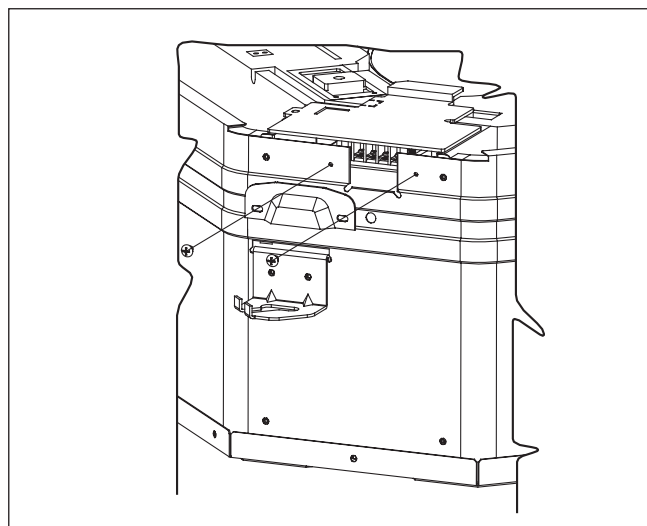


Figura 3

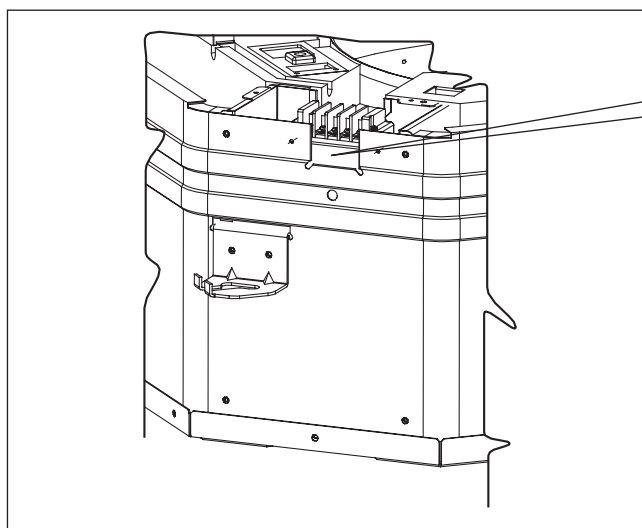


Figura 4

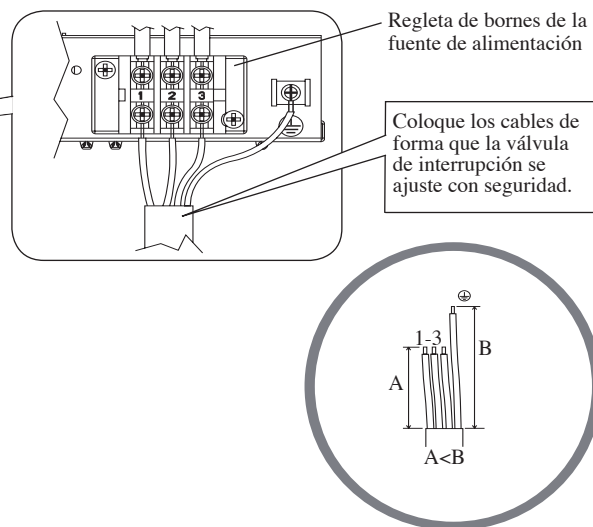


Figura 5

⚠ PRECAUCIÓN

No instale la unidad a una altura superior a 2000m. para el interior y exterior.

Instalación De Tuberías y Tecnica De Abocinamiento

- No use tuberías de cobre dañadas o contaminadas. Si se ha expuesto alguna tubería, evaporador o condensador o ha estado abierto durante 15 segundos o más, el sistema ha de aspirarse. Generalmente, no retire los plásticos, tapones de goma y tuercas de latón de las válvulas, empalmes, tubos y serpentinas hasta estar preparados para su conexión.
- Si es necesario algún trabajo de cobresoldadura, asegúrese de hacer pasar gas nitrógeno a través de los tubos y juntas mientras realiza el trabajo de soldadura. De este modo, se evitará la formación de hollín en las paredes interiores de los tubos de cobre.
- Corte la tubería paso a paso, haciendo avanzar la cuchilla del cortador de tubos lentamente. Un exceso de fuerza y un corte profundo producirían una mayor deformación de la tubería, y por lo tanto, más rebabas. Véase la Figura A.
- Retire las rebabas de los bordes cortados de las tuberías con un extractor, como se muestra en la Figura B. Así evitará una irregularidad en las caras abocinadas que resultaría en una fuga de gas. Sujete el tubo por su parte superior y la herramienta quitarrebabas en la posición inferior para evitar que las virutas metálicas se introduzcan en el tubo.
- Inserte las tuercas abocinadas, montadas sobre las partes de la conexión tanto de la unidad de interior como de la unidad de exterior, en las tuberías de cobre.
- La longitud exacta de la tubería que sobresale de la cara de la matriz de abocinamiento se determina mediante una herramienta de abocinamiento. Consulte la Figura C.
- Fije la tubería firmemente sobre la matriz de abocinamiento. Alinee los centros de la matriz de abocinamiento y del punzón de abocinamiento, y apriete entonces el punzón de abocinamiento completamente.

Figura A

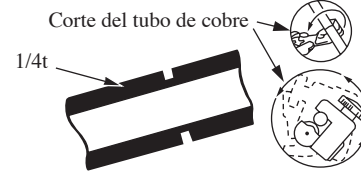
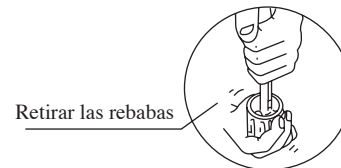


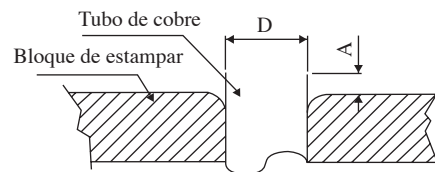
Figura B



Conexión De Las Tuberías A Las Unidades

- Alinee el centro de la tubería y apriete suficientemente la tuerca abocinada con los dedos. Consulte la Figura D.
- Finalmente, apriete la tuerca abocinada con la llave dinamométrica hasta que la llave haga "clic".
- Al apretar la tuerca abocinada con la llave dinamométrica, asegúrese de que aprieta en el sentido indicado por la flecha de la llave.
- La conexión de tubería de refrigerante están aisladas por poliuretano de celda cerrada.

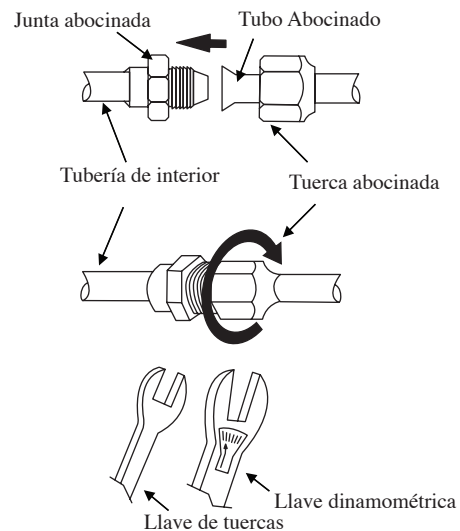
Figura C



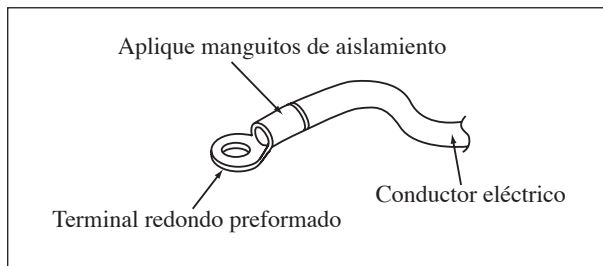
Tamaño de la Tubería (mm/pulg)	Par, Nm/(ft-lb)
6,35 (1/4")	18 (13,3")
9,52 (3/8")	42 (31,0")
12,70 (1/2")	55 (40,6")
15,88 (5/8")	65 (48,0")
19,05 (3/4")	78 (57,6")

Ø Tubo, D		A (mm)	
Pulgada	mm	Imperial (Tipo tuerca de mariposa)	Rigido (Tipo de acoplamiento)
1/4"	6,35	1,3	0,7
3/8"	9,52	1,6	1,0
1/2"	12,70	1,9	1,3
5/8"	15,88	2,2	1,7
3/4"	19,05	2,5	2,0

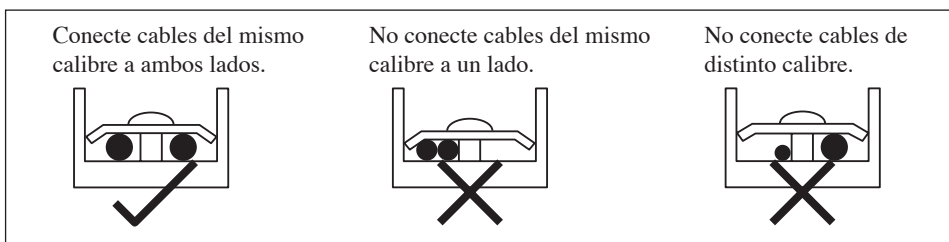
Figura D



- Todos los alambres deben estar conectados firmemente.
- Asegúrese de que ningún cable toque las tuberías de refrigeración, el compresor ni las piezas en movimiento.
- El cable de conexión entre la unidad interior y la unidad exterior se debe clavar con el anclaje de cable provisto.
- El cable del enchufe para el toma corriente debe de ser equivalente H07RN-F, tomando este como un mínimo requerimiento.
- Asegúrese de no aplicar presión externa a los conectores y cables del borne.
- Asegúrese de que todas las cubiertas se fijen correctamente para evitar cualquier espacio.
- Utilice terminales preformados para conectar los cables a la regleta de bornes de la fuente de alimentación. Conecte los cables siguiendo las indicaciones en la regleta de bornes. (Consulte el diagrama de conexiones colocado en la unidad).



- Use el destornillador adecuado para ajustar los tornillos de los bornes. Los destornilladores incorrectos pueden dañar la cabeza del tornillo.
- Si se ajusta demasiado se pueden dañar los tornillos del borne.
- No conecte cables de diferente calibre al mismo borne.
- Mantenga el cableado ordenado. Evite que el cableado obstruya otras piezas y la cubierta de la caja de bornes.



PRECAUCIONES ESPECIALES AL OCUPARSE DE LA UNIDAD DE R410A

R410A es un refrigerante nuevo de HFC que no daña la capa de ozono. La presión de funcionamiento de este refrigerante nuevo es 1,6 veces más alta que el refrigerante convencional(R22), o sea que es esencial una instalación/servicio apropiado.

- Nunca refrigerante del uso con excepción de R410A en un acondicionador de aire que se diseña para funcionar con R410A.
- El aceite de POE o PVE se utiliza como lubricante para el compresor de R410A, que es diferente del aceite mineral usado para el compresor R22. Durante la instalación o el mantenimiento, la precaución adicional se debe tomar para no exponer el sistema de R410A demasiado largo al aire húmedo. El aceite residual de POE o PVE en la tubería y los componentes pueden absorber la humedad del aire.
- Evitar mischarging, el diámetro del puerto del servicio en la válvula de la llamarada es diferente de el de R22.

- Utilice las herramientas y los materiales exclusivamente para el refrigerante R410A. Las herramientas para R410A son exclusivamente válvula múltiple, manguera de carga, manómetro de presión, detector del escape del gas, herramientas de la llamarada, llave de esfuerzo de torsión, bomba de vacío y cilindro del refrigerante.
- Pues un acondicionador de aire de R410A incurre en una presión más alta que las unidades R22, es esencial elegir las pipas de cobre correctamente. Nunca deluente de cobre de las pipas del usuario que 0,8mm aunque están disponibles en el mercado.
- Si el gas del refrigerante se escapó durante la instalación/servicing, sea seguro ventilar completamente. Si el gas refrigerante viene en contacto con el fuego, un gas venenoso puede ocurrir.
- Al instalar o quitando un acondicionador de aire, no permita que el aire o la humedad permanezca en el ciclo refrigerante.

ASPIRACIÓN Y CARGA

La aspiración es necesaria para eliminar toda la humedad y aire del sistema.

Purga de la tubería y la unidad interior

La unidad de interior y los tubos de conexión refrigerantes deben ser purgados de aire porque el aire que contiene la humedad que permanece en el ciclo refrigerante puede hacer funcionar mal al compresor.

- Retirar las tapas de la válvula y del agujero de servicio.
- Conecte el centro del calibrador de carga a la bomba de vacío.
- Conecte el calibrador de carga al orificio de servicio de la válvula de 3 vías.

- Arranque la bomba de vacío. Evacúe aproximadamente durante 30 minutos. El tiempo de evacuación varía según la capacidad de la bomba de vacío. Asegúrese de que la aguja del calibrador de carga se ha movido hacia -760mmHg.

Precaución

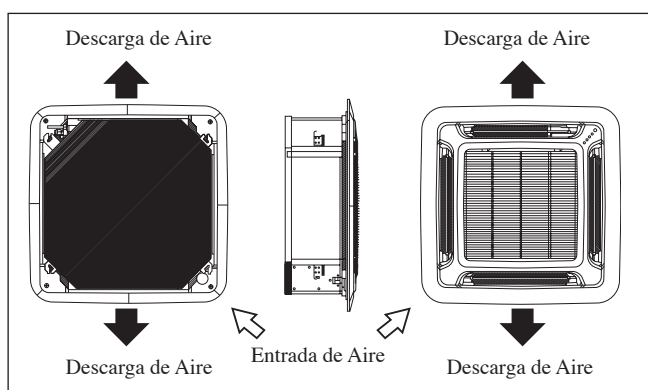
- Si la aguja del calibrador no se mueve a -760mmHg, compruebe las fugas de gas (utilizando detector de refrigerante) en la conexión de tipo abocinada de la unidad interior y exterior y repare la fuga antes de seguir con el siguiente paso.
- Cierre la válvula del calibrador de cambio y pare la bomba de vacío.

PARTE ACCESORIA

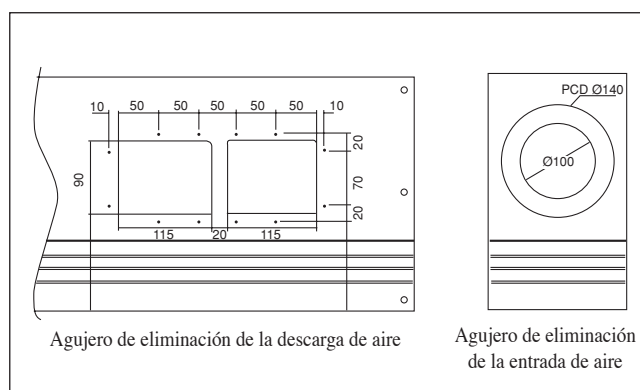
Especificación de los conductos cortos

- La unidad interior contiene una descarga de aire y un agujero "eliminador" de entrada de aire para la conexión de conductos. Sin embargo, la conexión del conducto corto para la descarga de aire sólo es posible en un lado.
- El uso de un conducto corto para la descarga de aire mejorará la distribución del corriente de aire donde exista una obstrucción (por ejemplo una guarnición de alumbrado) o en una habitación estrecha y larga o una habitación en forma de L. El acondicionador de aire también puede usarse en dos habitaciones simultáneamente.

Dirección posible para la descarga de aire y entrada de aire



Dimensiones posibles de abertura para la conexión de conductos



NOTA

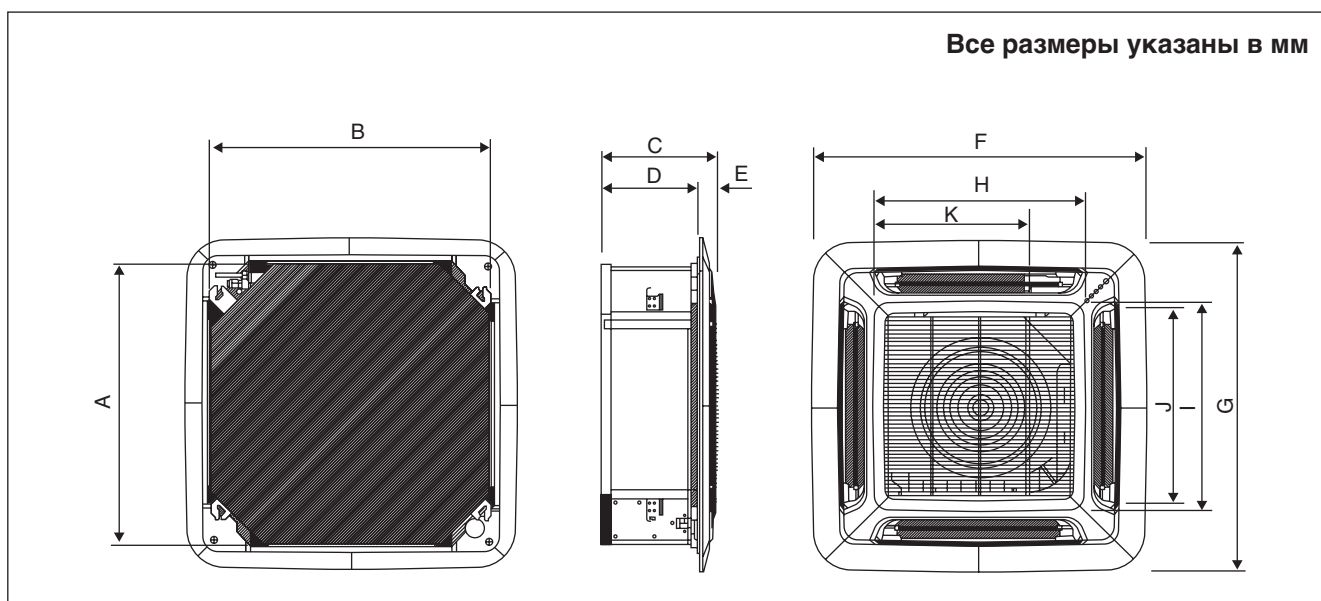
- Evite el uso de un conducto corto con el que se pueda cerrar completamente la rejilla de descarga de aire, para prevenir la congelación del evaporador.
- Para prevenir la formación de condensación, asegúrese de que exista el aislamiento termal suficiente y que no exista ninguna pérdida de aire frío al instalar el conducto corto.
- Mantenga la introducción de aire fresco a un 20% del corriente de aire total. Asimismo proporcione una cámara y use un ventilador de impulsión.

Material de sellado

- Existe la posibilidad de sellar una de las cuatro salidas de descarga de aire. (el sellado de dos o más salidas de descarga de aire puede provocar un funcionamiento defectuoso.)
- Retire el panel delantero e inserte el material de sellado en el agujero de descarga de aire en la unidad interior para sellar la salida de aire.
- El material de sellado posee la misma longitud que el agujero de descarga de aire. En caso de querer sellar la salida de descarga de aire más corta, corte el material de sellado para acortarlo.
- Empuje el material de sellado a unos 10mm más allá de la superficie inferior de la unidad interior para evitar que no toque el enrejado del aire. Asegúrese de que no empuja el material de sellado más allá de 10mm.

СХЕМА И РАЗМЕРЫ

Комнатного блок ACQ 71 / 100 / 125 BV1



Модель \ Размер	A	B	C	D	E	F	G	H	I	J	K
ACQ 71 BV1	820	820	340	300	40	990	990	627	627	607	430
ACQ 100 BV1 / ACQ 125 BV1	820	820	375	335	40	990	990	627	627	607	430

Русский

Перевод оригинальных инструкций

РУКОВОДСТВО ПО УСТАНОВКЕ

Это руководство рассматривает процедуру установки с целью обеспечения безопасности и соответствующих стандартов для функционирования блока кондиционера.

Специальная регулировка по месту установки может быть необходима.

Перед использованием Вашего кондиционера, пожалуйста, внимательно данное руководство по эксплуатации и сохраните его для обращения за справками в будущем.

Этот аппарат предусмотрен для использования опытным и обученным персоналом в магазинах, в легкой промышленности и сельском хозяйстве, или для коммерческого применения непрофессионалами.

Данное устройство не предназначено к эксплуатации лицами (включая детей) с ограниченными физическими, сенсорными или умственными возможностями, а равно и теми, у кого нет соответствующего опыта и знаний. Такие лица допускаются к эксплуатации устройства только под наблюдением или руководством лица, несущего ответственность за их безопасность.

За детьми необходим присмотр во избежание игр с устройством.



МЕРЫ ПРЕДОСТОРОЖНОСТИ

⚠ ВНИМАНИЕ

- Установка и техническое обслуживание должны проводиться квалифицированным персоналом, знающим местный код и положения и имеющим опыт работы с данным видом устройств.
- Весь монтаж проводов должен проводиться в соответствии с национальными правилами электромонтажа.
- Перед началом электромонтажа удостоверьтесь, что напряжение блока соответствует указанному на табличке, согласно электрической схеме.
- Блок должен быть **ЗАЗЕМЛЕН** для предотвращения возможной опасности в результате неправильной установки.
- Электропроводка не должна соприкасаться с трубопроводом хладагента или движущимися частями двигателей вентилятора.
- Удостоверьтесь, что блок **ВЫКЛЮЧЕН** перед установкой или обслуживанием.
- Прежде чем производить сервисные работы, кондиционер следует отключить от электросети.
- **НЕ** выдергивайте шнур при включенном питании. При этом можно получить серьезные удары током и вызвать угрозу пожара.
- Держите комнатный и наружный блоки, силовой кабель и проводку передачи как минимум за 1 м от телевизоров и радио для предотвращения искаженного изображения и помех. {В зависимости от типа и источника электрических волн, помехи могут быть услышаны даже при установке более чем на 1 м}.

⚠ ОСТОРОЖНО

Пожалуйста, обратите внимание на нижеследующие важные моменты при установке.

- **Не устанавливайте блок в месте, где может произойти утечка взрывоопасного газа.**
 Если имеется утечка газа и его сбор рядом с блоком, то он может стать причиной возгорания.
- **Удостоверьтесь, что сливные трубы соединены надлежащим образом.**
 Если сливные трубы не соединены надлежащим образом, это может стать причиной течи, которая намочит мебель.
- **Не подвергайте перегрузке блок.**
 Данный блок установлен на определенную нагрузку на заводе-изготовителе. Перегрузка вызовет перегрузку тока или повредит компрессор.
- **Удостоверьтесь, что панель блока закрыта после технического обслуживания или установки.**
 Удостоверьтесь, что панель блока закрыта после технического обслуживания или установки.
- **Острые края и поверхности змеевиков являются потенциальными местами нанесения травм.**
Остерегайтесь контакта с этими местами.
- **Перед тем, как включить питание, переведите выключатель удаленного контроллера в положение "ON/OFF" во избежание случайного срабатывания устройства.** Если этого не сделать, при включении питания вентиляторы автоматически начнут вращаться и обслуживающий персонал или пользователь подвергнется опасности.
- **Не включайте вблизи кондиционера какое-либо нагревательное оборудование.** От избытка тепла пластиковая панель может расправиться или деформироваться.
- **Не устанавливайте блоки в дверном проеме или в непосредственной близости с ним.**
- **Не допускайте работы каких-либо обогревательных приборов в непосредственной близости с блоком кондиционера воздуха и не используйте в помещении, в котором имеется минеральное масло, пары нефти или масла, так как это может привести к расплавлению или деформации пластиковых деталей в результате чрезмерного тепла или химической реакции.**
- **При использовании блока на кухне не допускайте попадания муки во всасывающее устройство блока.**
- **Данный блок не подходит для промышленного использования, характеризующегося наличием тумана смазочно-охлаждающей жидкости, железного порошка или больших колебаний электрического напряжения.**
- **Не устанавливайте блоки в таких местах, как горячий источник или нефтеперерабатывающий завод, характеризующиеся наличием газа сульфида.**
- **Убедитесь, что цвет проводов наружного блока и маркировка терминалов совпадает с соответствующими элементами комнатного блока.**
- **ВАЖНО: НЕ УСТАНАВЛИВАЙТЕ ИЛИ НЕ ИСПОЛЬЗУЙТЕ КОНДИЦИОНЕР В МОЕЧНОЙ.**
- **Для входящего электропитания не следует использовать соединенные и скрученные многожильные провода.**
- **Не допускайте контакта средств, применяемых для очистки змеевика, с пластмассовыми деталями.** Они вступают в реакцию с пластмассой, а это может стать причиной деформации детали.
- **По любым вопросам касательно запасных частей обращайтесь к уполномоченному дилеру.**
- **Оборудование не предназначено для использования в потенциально взрывоопасной среде.**

ПРЕДУПРЕЖДЕНИЕ

Требования по утилизации

Ваше изделие для кондиционирования воздуха отмечено этим символом. Это означает, что электрические и электронные изделия не должны быть смешаны с несортированными бытовыми отходами.

Не пытайтесь самостоятельно демонтировать систему: демонтаж системы кондиционирования воздуха, обработка хладагента, масла и других деталей должна быть произведена квалифицированным специалистом по установке согласно соответствующему местному и национальному законодательству.

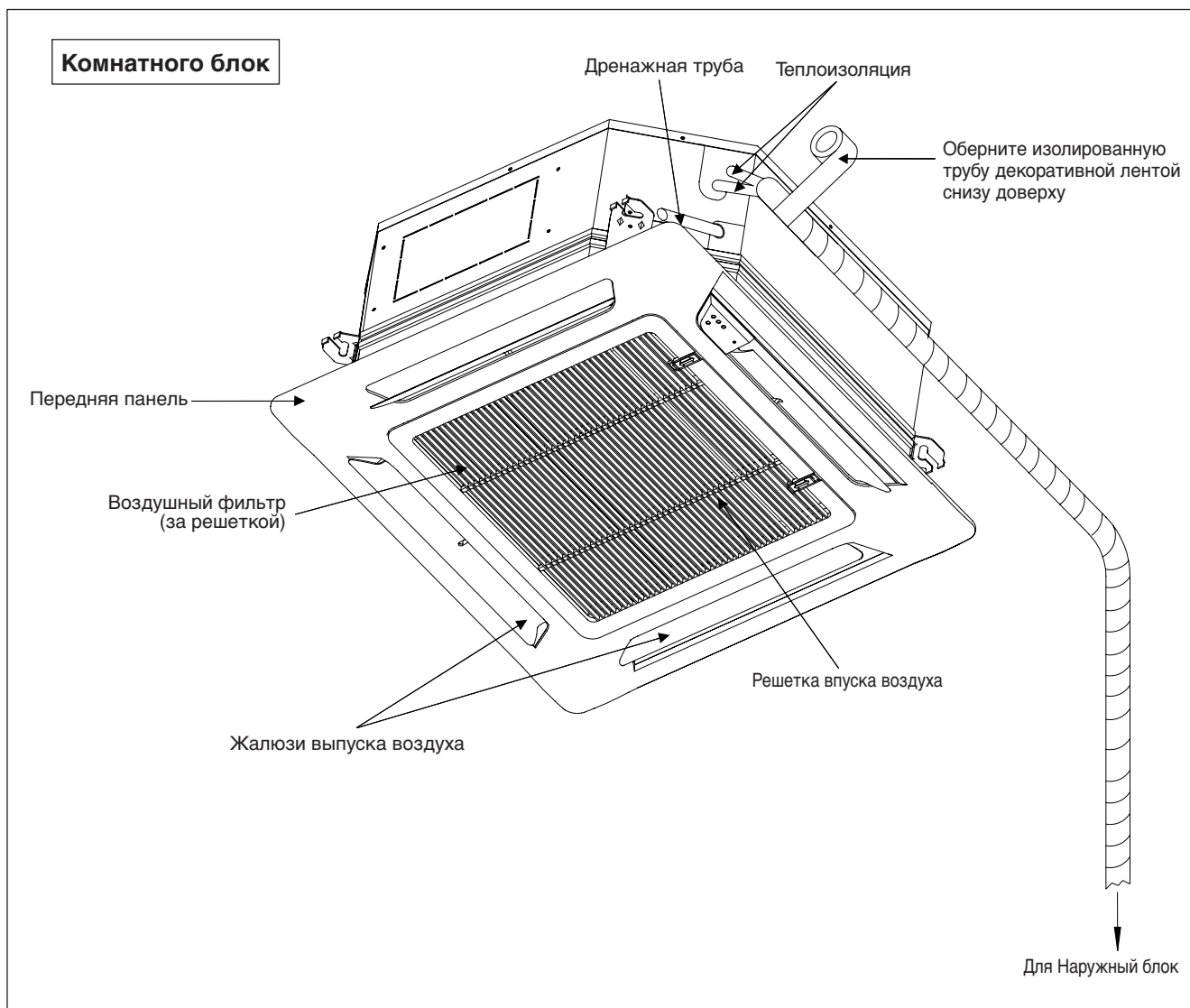
Кондиционеры воздуха должны быть обработаны на специализированном перерабатывающем оборудовании для повторной утилизации, повторного использования отходов и восстановления. Убедившись в том, что данное изделие правильно утилизировано, вы можете предотвратить потенциальные негативные последствия для окружающей среды и здоровья людей. Для получения подробной информации обратитесь, пожалуйста, к вашему специалисту по установке или местным властям.

Батареи должны быть удалены из пульта дистанционного управления и утилизированы отдельно согласно соответствующему местному и национальному законодательству.





РИСУНОК УСТАНОВКИ



Русский

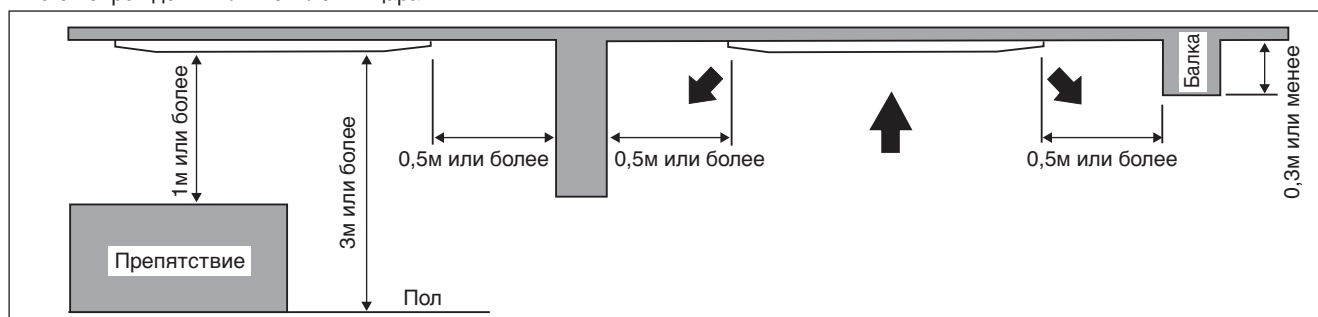


УСТАНОВКА КОМНАТНОГО БЛОКА

Предварительный осмотр места установки

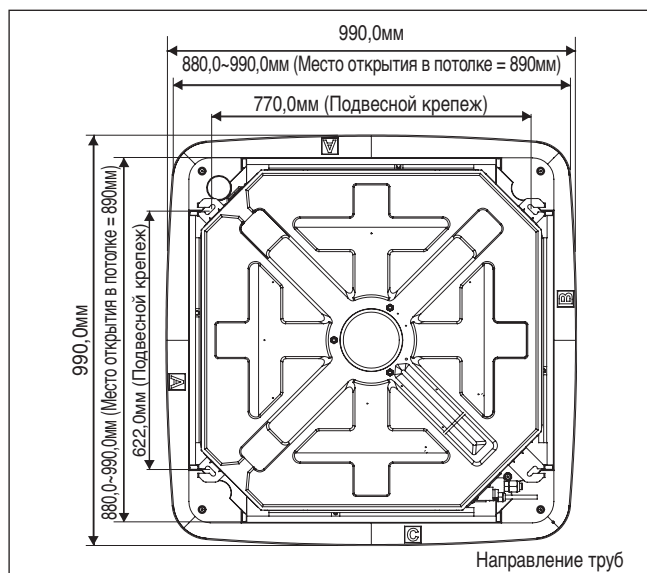
Перед установкой комнатного блока кондиционера необходимо ознакомиться с данным руководством.

- Колебание напряжения не должно быть более, чем $\pm 10\%$ от нормального напряжения. Провода электроснабжения должны быть независимыми от сварочных трансформаторов, которые вызывают значительные колебания напряжения.
- Удостоверьтесь, что расположение удобно для прокладки проводов, труб и слива.
- Запрещается оказывать давление на резиновые детали при открытии блока или при его перемещении после открытия.
- Не вынимайте блок из упаковки до тех пор, пока он не будет доставлен на место установки. Во время извлечения блока из упаковки используйте безопасный материал или защитные пластины или поднимайте его таким образом, чтобы не допустить его повреждения или появления царапин.



- Убедитесь, что место установки отвечает следующим требованиям:
 - а) Возможен беспрепятственный дренаж.
 - б) Место подходит для прокладки проводов и трубопровода.
 - в) Имеется достаточно пространства для осуществления установочных работ и сервисного обслуживания.
 - г) Отсутствует риск утечки воспламеняющегося газа.
 - д) Отсутствуют препятствия на пути выхода холодного воздуха и возврата теплого воздуха, и ничто не мешает свободному распространению воздуха по всему помещению (ближе к центру помещения).
 - е) Для комнатного блока необходимо обеспечить наличие пространства от стены и препятствий, как показано на рисунке ниже.
 - ж) Место установки должно быть достаточно прочным, способным выдержать нагрузку в 4 раза большей массы комнатного кондиционера для того, чтобы избежать шум и вибрацию.
 - з) Место установки (место подвешивания на потолке) должно быть достаточно ровным и высота в потолке должна быть 350 мм или более.
 - и) Комнатный блок должен быть удален от источников тепла или пара (избегайте установку блока около входа).

Установка блока

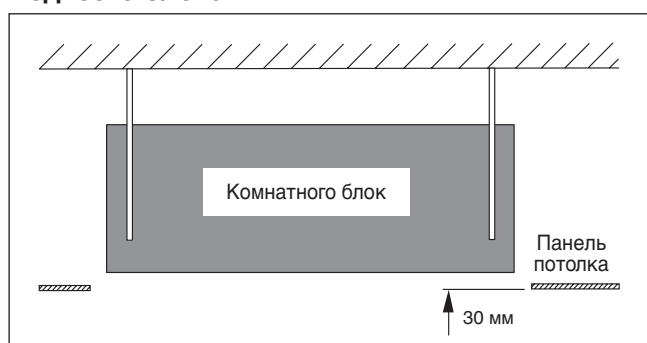


- Измерьте и отметьте положение подвесного крепежа. Просверлите отверстие для угловой гайки на потолке и закрепите подвесной крепеж.
- Установочная подкладка изменяется в зависимости от температуры и влажности. Проверьте размеры по месту.
- Размеры установочной подкладки соответствуют размерам отверстия на потолке.
- Прежде чем заканчивать заключительные потолочные работы, удостоверьтесь, что установочная подкладка вставлена в комнатный блок.

ПРИМЕЧАНИЕ

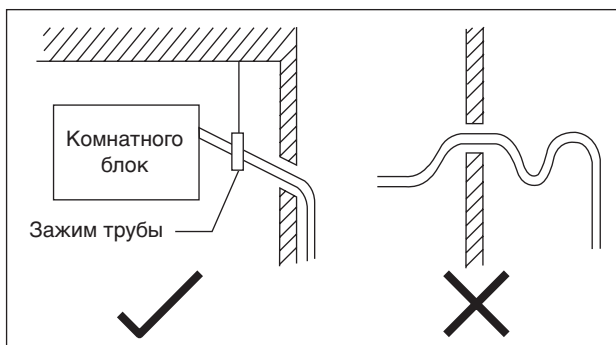
Обязательно обсудите сверлильные потолочные работы с установщиками блока.

Подвеска блока



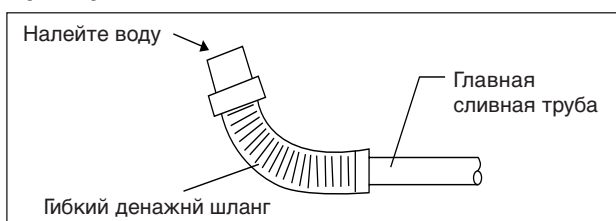
- Убедитесь, что размеры подвесного крепежа точно 770мм x 622мм.
- Возьмите блок и повесьте его на подвесные крепежи, закрепив гайкой и шайбой.
- Добейтесь высоты 30мм между дном комнатного блока и потолочной поверхностью.
- Убедитесь при помощи уровня, что блок установлен горизонтально и затяните гайку и болт для избежания падения блока и вибрации.
- Откройте панель потолка вдоль наружного края бумажной установочной подкладки.

Работа дренажного насоса



- Дренажная труба должна быть установлена с уклоном вниз для дренажа.
- Избегайте установку дренажной трубы с уклоном вниз и вверх для того, чтобы вода не потекла обратно.
- Во время соединения труб, будьте осторожны, чтобы не оказать чрезмерное усилие на дренажный штуцер во внутреннем модуле.
- Наружный диаметр дренажного штуцера на гибком дренажном шланге составляет 20мм.
- Удостоверьтесь в установке теплоизоляции (полиэтиленовый пенопласт толщиной более 8,0мм) на дренажной трубе для избежания капанья конденсата внутрь комнаты.

Проверка слива



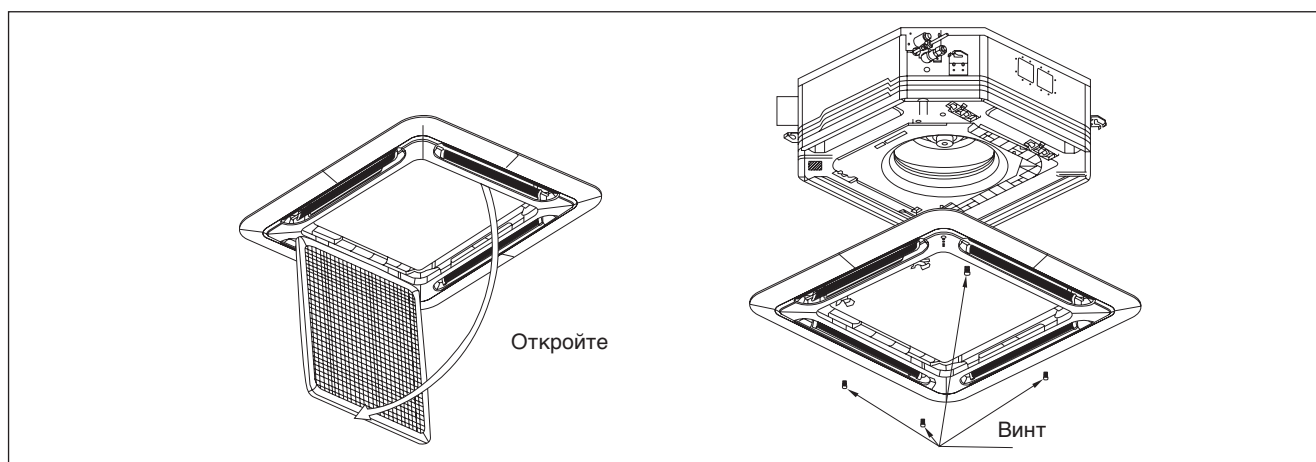
- Подсоедините главную дренажную трубу к гибкому дренажному шлангу.
- Налейте воду из гибкого дренажного шланга для проверки герметичности трубопроводов.
- По завершении проверки, соедините гибкий дренажный шланг к дренажному штуцеру на внутреннем модуле.

ПРИМЕЧАНИЕ

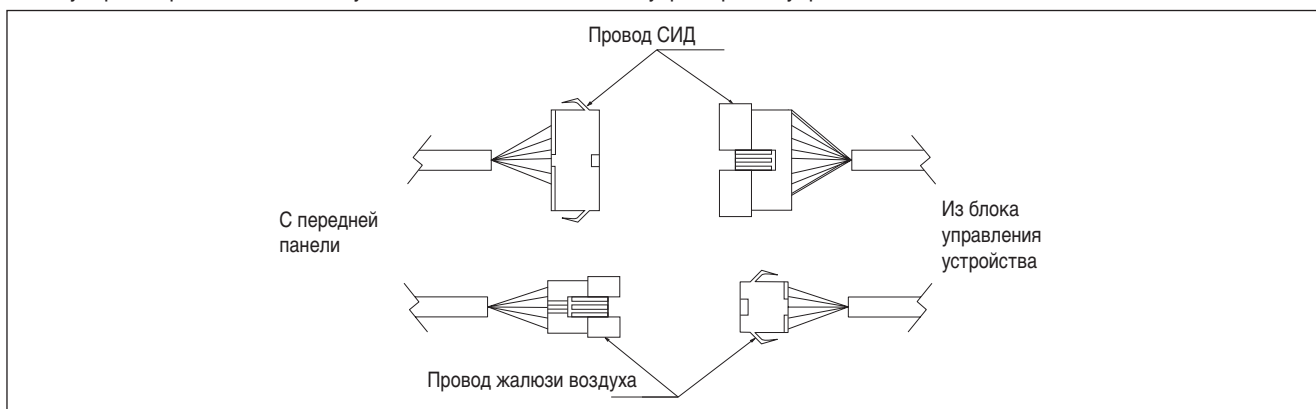
Данный комнатный блок имеет дренажный насос для отвода конденсата. Установите блок горизонтально для предотвращения течи или конденсата вокруг воздухоотвода.

Установка панели

- Передняя панель может быть вставлена только в одном направлении, следуя направлению трубы. (Следуйте стрелке расположения труб на наклейке на передней панели)
- Удостоверьтесь, что установочная подкладка снята перед установкой передней панели.

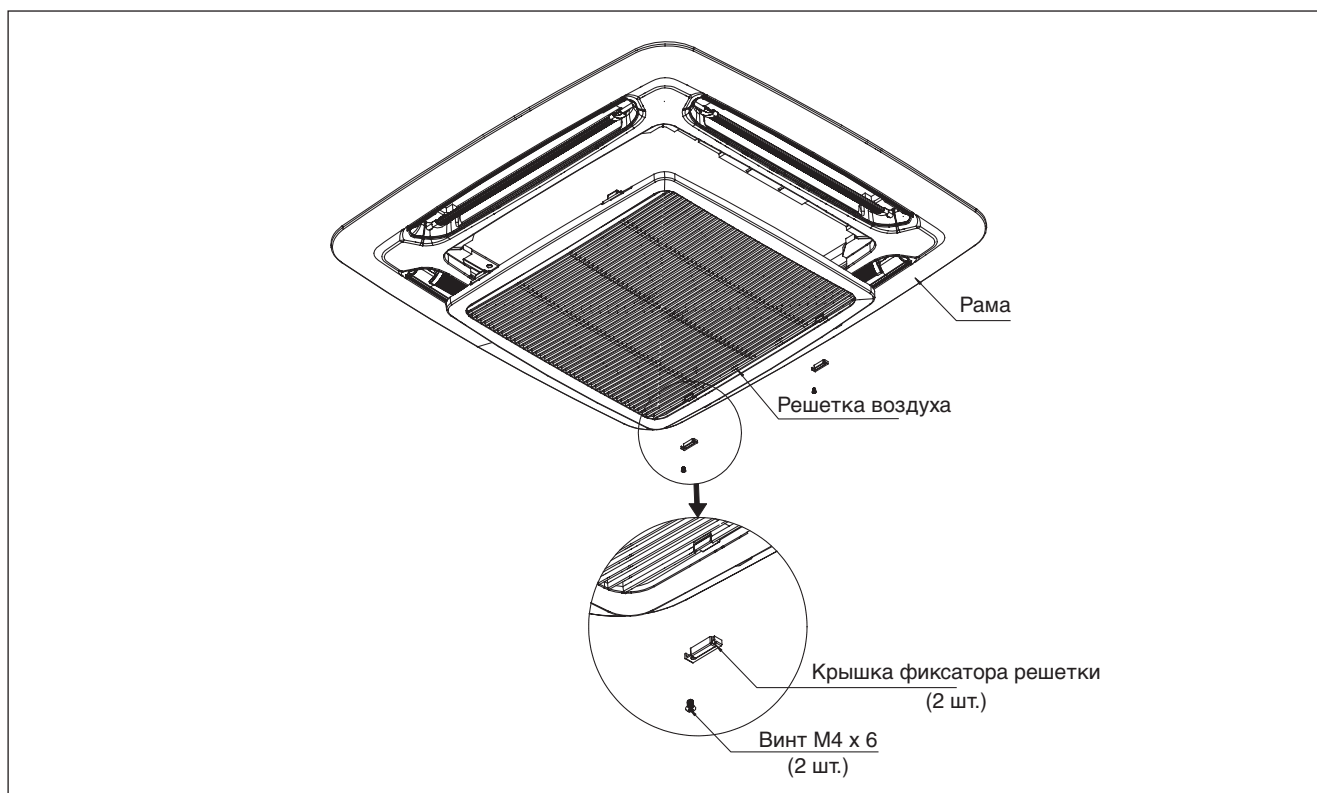


- Откройте решетку впуска воздуха оттягиванием ограничителей и снятием их вместе с фильтром с панели.
- Установите переднюю рамную панель на комнатный блок 4 винтами и затяните до конца для предотвращения прохода холодного воздуха.
- Соедините провода контактов СИД и провода поворота жалюзи воздуха к комнатному блоку.
- Штуцер поворота жалюзи воздуха должен быть помещен внутрь коробки управления после подсоединения.



Крышка фиксатора решетки (Защита подвижной детали для прямого прикосновения пользователем)

Решетка фиксатора крышки должна быть установлена в соответствии с рисунком ниже.



Если необходимо проведение сервисного обслуживания, следует выполнить следующее:

1. Перед проведением сервисного обслуживания необходимо убедиться, что блок выключен.
2. Чтобы разблокировать винт на крышке фиксатора решетки, используйте отвертку.
3. Для выполнения обслуживания снимите крышку фиксатора решетки и откройте решетку впуска воздуха.
4. После выполнения сервисного обслуживания установите решетку впуска воздуха, закрепите винтом крышку фиксатора решетки и убедитесь, что блок правильно установлен.

Прокладка электропроводки

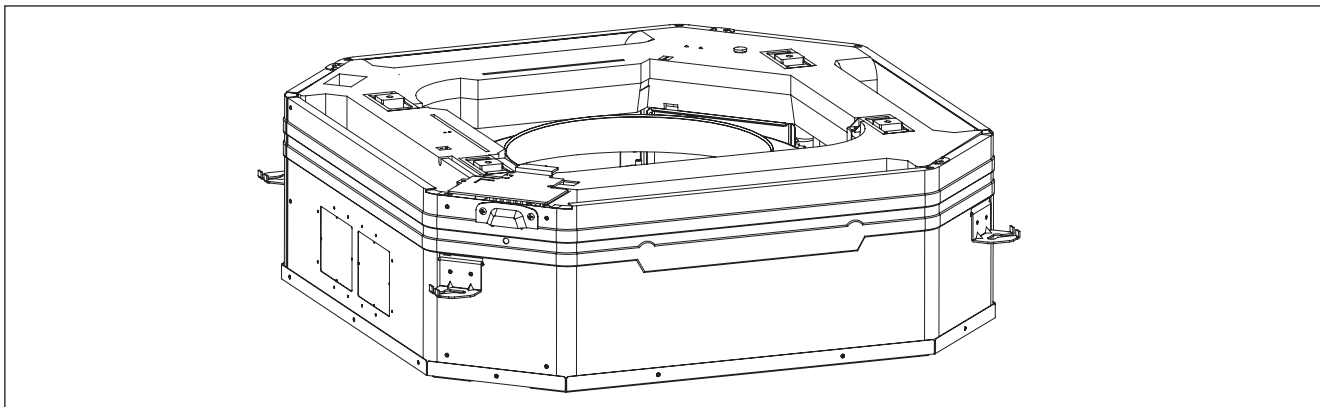


Рисунок 1

Рисунок 1 и Рисунок 2 показывают место расположения крышки провода в Комнатного блок. Порядок действий при прокладке проводов электропитания и проводов от наружного блока.

1. Снимите крышку провода, удалив 2 винта, как показано на Рисунок 3.
2. Провода будут проходить через отверстия, как показано на Рисунок 4 и 5 соответственно, не пересекая высоту отверстия.
3. После этого крышка провода будет установлена обратно и будет закрывать провод.

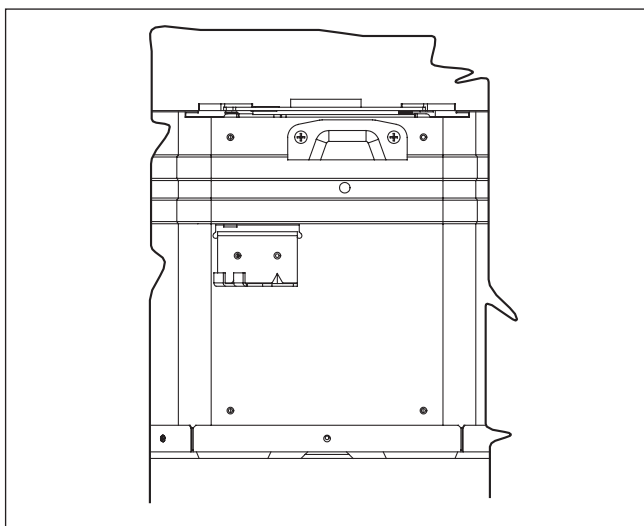


Рисунок 2

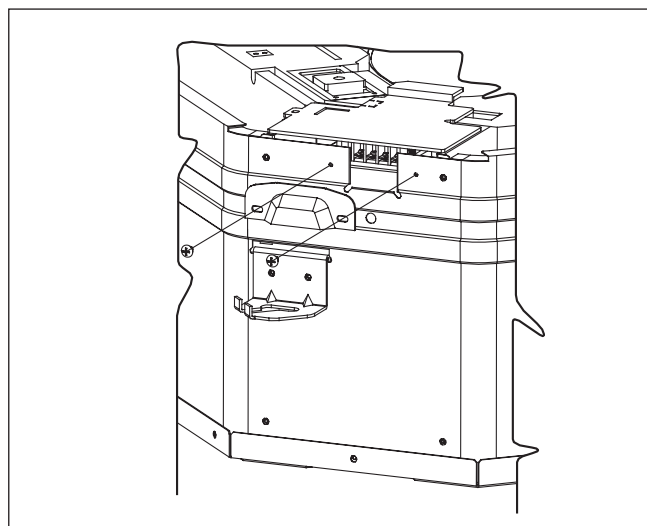


Рисунок 3

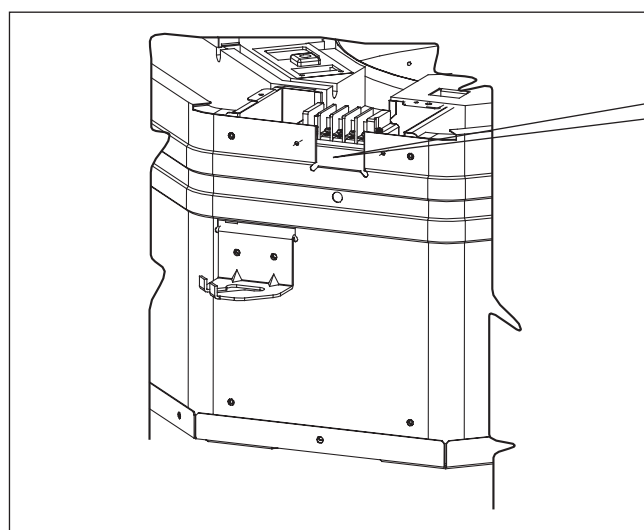


Рисунок 4

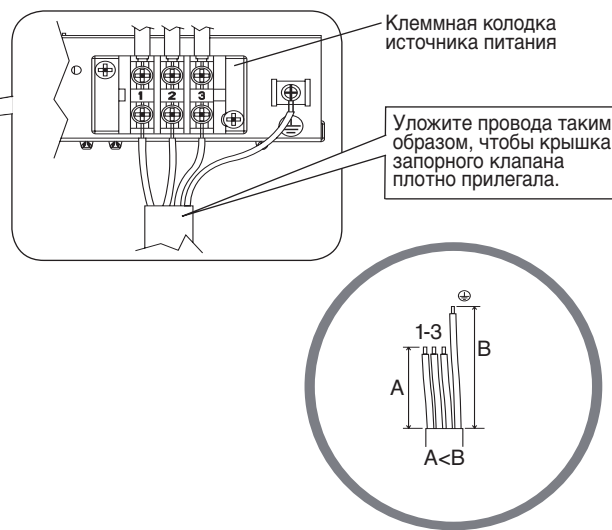


Рисунок 5

⚠ ОСТОРОЖНО

Не рекомендуется устанавливать как внутренний, так и наружный блоки на высоте более 2000м над уровнем моря.

Проведение Трубопроводов И Соединение Муфтой (Развальцовочной Гайкой)

- Не используйте грязную или поврежденную трубную обвязку. Если какой-либо трубопровод, испаритель или конденсатор оказались под воздействием внешних факторов или были разгерметизированы в течение 15 или более секунд, следует произвести вакуумирование системы. Поэтому запрещается снимать пластиковые, резиновые заглушки и латунные гайки клапанов, фитингов, труб и змеевиков до тех пор, пока линия всасывания или жидкостная линия не будут подсоединены к клапанам и фитингам.
- Если требуется пайка, то удостоверьтесь, что газ азот проходит через змеевик и соединения, где проводится пайка. Это позволит избежать формирования копоти на внутренней стороне медных труб.
- Режьте трубы постепенно, медленно подавая полотно ножа. Чрезмерное усилие и глубокий разрез вызовут деформацию трубы и образование на ней дополнительных заусенцев. Смотрите Рисунок А.
- Уберите заусенцы с краев среза трубы съемником как показано на Рисунок В. Это позволит избежать неровности на развальцовочных поверхностях, которые вызовут утечку газа. Держите трубу в верхнем положении, а приспособление для снятия заусенцев в нижнем положении для предотвращения попадания металлической стружки в трубу.
- Вставьте штуцерные гайки, установленные на соединяющие концы как внутреннего модуля, так и внешнего модуля, на медные трубы.
- Точная длина трубы, выступающей из лицевой поверхности матрицы, определена развальцовочным инструментом. См. Рисунок С.
- Надежно установите трубу в развальцовочной матрице. Отцентрируйте отверстия в развальцовочной матрице и развальцовочном пробойнике, а затем полностью затяните пробойник.

Соединение Трубопроводов К блокам

- Отцентрируйте положение трубы и до конца затяните штуцерную гайку усилием пальцев. См. Рисунок D.
- Затем, затяните штуцер динамометрическим гаечным ключом до щелчка ключа.
- При затягивании муфты динамометрическим гаечным ключом, удостоверьтесь, что затягивание происходит в указанном стрелкой направлении.
- Соединение трубы хладагента изолировано закрытой полиуретановой ячейкой.

Размер Трубы (мм/дюйм)	Крутящий Момент, (Нм / фут-фунт)
6,35 (1/4")	18 (13,3")
9,52 (3/8")	42 (31,0")
12,70 (1/2")	55 (40,6")
15,88 (5/8")	65 (48,0")
19,05 (3/4")	78 (57,6")

Ø Трубы, D		A (мм)	
Дюйм	мм	Империл (Барашковая гайка)	Риджид (Муфтовый тип)
1/4"	6,35	1,3	0,7
3/8"	9,52	1,6	1,0
1/2"	12,70	1,9	1,3
5/8"	15,88	2,2	1,7
3/4"	19,05	2,5	2,0

Рисунок А



Рисунок В



Рисунок С

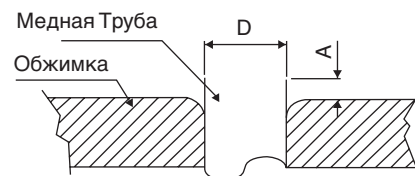
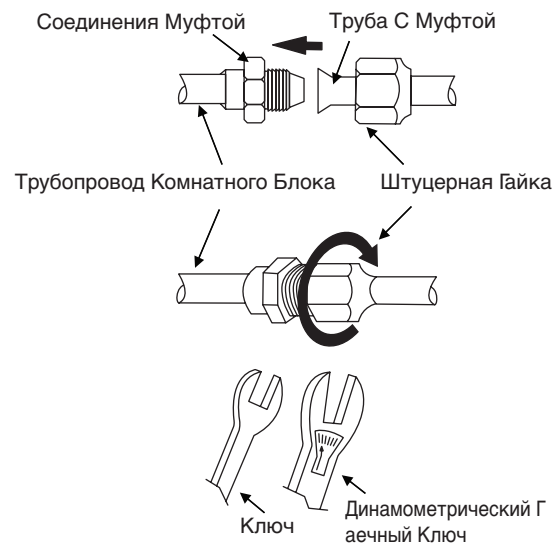
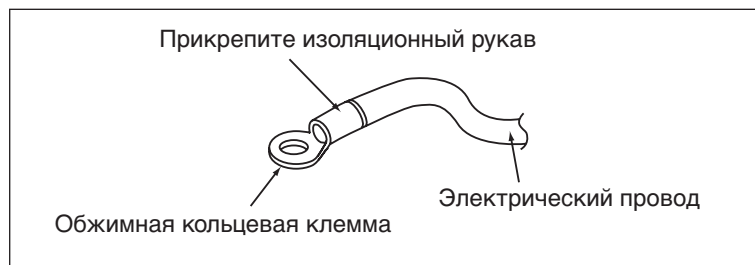


Рисунок D



- Все провода должны быть хорошо соединены.
- Убедитесь, что провода не соприкасаются с трубопроводом холодильного агрегата, компрессором или любыми подвижными частями.
- Проводное соединение между внутренним и внешним модулем должно быть зафиксировано при помощи прилагаемых веревочных фиксаторов.
- Шнур сети питания должен отвечать параметрам шнура H07RN-F, который представляет собой минимальные предъявляемые требования.
- Убедитесь, что соединительные зажимы и провода не подвергаются излишней нагрузке.
- Убедитесь, что все крышки плотно закрыты.
- Используйте обжимную кольцевую клемму для подсоединения проводов к терминалу электропитания. Подсоедините провода в соответствии с указаниями на терминале. (Смотри монтажную схему на блоке).



- Для окончательного затягивания винтов используйте надлежащие отвертки. Применение ненадлежащих отверток может повредить головку винта.
- Чрезмерная затяжка может повредить контактный винт.
- Не подключайте провода различных устройств к одному терминалу.
- Правильно подключайте провода. Проводка не должна преграждать доступ к другим частям устройства и к крышке распределительной коробки.



СПЕЦИАЛЬНЫЕ МЕРЫ ПРЕДОСТОРОЖНОСТИ ПРИ ЭКСПЛУАТАЦИИ КОНДИЦИОНЕРА С ХЛАДАГЕНТОМ R410A

R410A - это новый гидрофторуглеродный хладагент, не повреждающий озоновый слой. Рабочее давление этого нового хладагента в 1,6 раз больше, чем рабочее давление обычного хладагента (R22), поэтому очень важно соблюдать правильный порядок установки и обслуживания кондиционера.

- В кондиционерах, рассчитанных на использование R410A, запрещается применять какие-либо другие хладагенты.
- Масло POE или PVE, используемое в качестве смазочного материала для компрессора с хладагентом R410A, отличается от минерального масла, используемого для компрессора с хладагентом R22. Во время выполнения установки или сервисного обслуживания необходимо принять дополнительные меры предосторожности, чтобы не допускать воздействия влажного воздуха на систему R410A. Оставшееся в трубопроводе и деталях масло POE или PVE и компоненты могут поглощать влагу из воздуха.
- Во избежание неправильной заправки диаметр сервисного патрубка на раструбном вентиле отличается от диаметра соответствующего патрубка для R22.
- Используйте исключительно инструменты и материалы, предназначенные для хладагента R410A. Инструменты специально для R410A: распределительная гребенка, заправочный шланг, манометр, детектор утечки газа, развальцовочные инструменты, ключ с регулируемым крутящим моментом, вакуумный насос и баллон для хладагента.
- Так как в кондиционере на R410A используется более высокое давление, чем в установках на R22, важно правильно выбрать медные трубы. Запрещается использовать медные трубы толщиной менее 0,8 мм, даже если они есть в продаже.
- В случае утечки газообразного хладагента во время выполнения работ по установке или обслуживанию необходимо хорошо проветрить помещение. При соприкосновении газообразного хладагента с огнем возможно образование ядовитого газа.
- При установке или демонтаже кондиционера следите за тем, чтобы в контуре хладагента не осталось воздуха или влаги.

ОТКАЧКА ВОЗДУХА И ЗАПРАВКА

Откачка воздуха необходима для ликвидации влаги и воздуха из системы.

Вакуумирование трубопровода и внутреннего блока

Внутренний модуль и соединительные трубы хладагента должны быть продуты, поскольку воздух, содержащий остающуюся в системе хладагента влагу, может вызвать сбой в работе компрессора.

- Снимите колпачки с клапана и входа технического обслуживания.
- Соедините центр нагнетательной коробки к вакуумному насосу.
- Соедините нагнетательную коробку к 3-ходовому клапану входа технического обслуживания.

- Включите вакуумный насос. Проводите откачку в течение примерно 30 минут. Время откачки зависит от мощности вакуумного насоса. Удостоверьтесь, что стрелка манометра нагнетательной коробки установилась на -760мм ртутного столба.

Осторожно

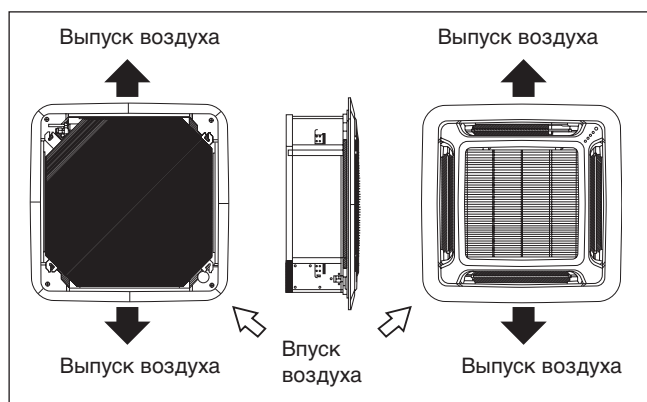
- Если стрелка манометра коробки не достигает -760мм ртутного столба, то проверьте отсутствие утечки газа (используя течеискатель хладагента) на штуцерном соединении внутреннем и внешнего модулей и ликвидируйте утечку, прежде чем приступать к следующей операции.
- Закройте клапан нагнетательной коробки и выключите вакуумный насос.

РАЗДЕЛ ДОПОЛНИТЕЛЬНЫХ ПРИНАДЛЕЖНОСТЕЙ

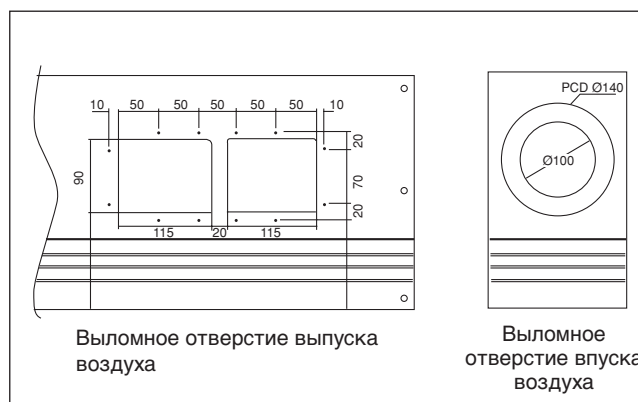
Характеристика короткой вентиляционной трубы

- Комнатный блок рассчитан на выпуск воздуха и его впуск через выламывающееся отверстие для соединения вентиляционной трубы. Однако, соединение короткой вентиляционной трубы для выпуска воздуха возможно только с одной стороны.
- Использование короткой вентиляционной трубы для выпуска воздуха улучшит распределение воздушного потока при наличии препятствия (например, осветительный прибор) и в длинной, узкой комнате или в L-образной формы комнате. Он также используется для кондиционирования двух комнат одновременно.

Возможные направления для выпуска воздуха и впуска воздуха



Возможные размеры отверстия для соединения вентиляционной трубы



ПРИМЕЧАНИЕ

- Старайтесь не использовать короткую вентиляционную трубу, на которой решетка выпуска воздуха может быть полностью закрыта, что нужно для предотвращения заледенения испарителя.
- Для предотвращения формирования конденсата, удостоверьтесь, что существует достаточная теплоизоляция и нет утечки холодного воздуха после установки короткой вентиляционной трубы.
- Обеспечьте поступление до 20% свежего воздуха от всего воздушного потока. Также обеспечьте наличие камеры и использование вспомогательного вентилятора.

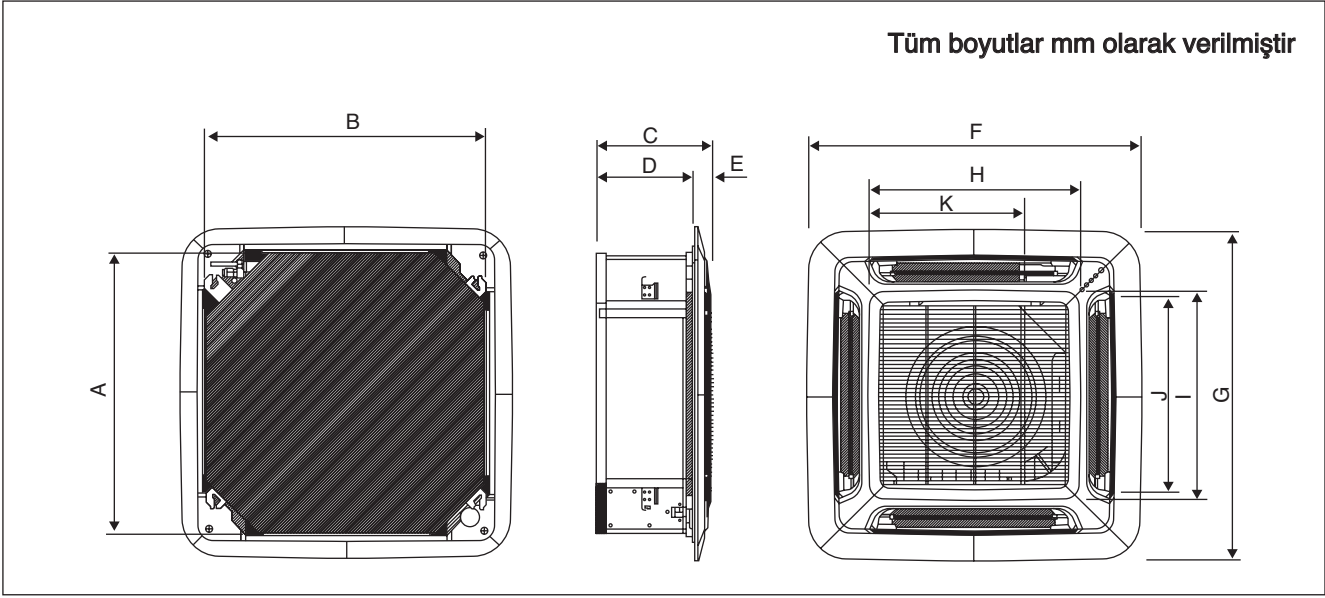
Задельвающий материал

- Нельзя заделывать один из четырех отверстий выпуска воздуха. (заделывание двух или более воздушных отверстий может привести к сбоям в работе)
- Снимите переднюю панель и заделайте отверстие выпуска воздуха на комнатном блоке при помощи заделывающего материала.
- Этот заделывающий материал той же длины, что длинное отверстие выпуска воздуха. Желательно заделать короткое отверстие выпуска воздуха, для этого срежьте заделывающий материал для его укорачивания.
- Протолкните заделывающий материал внутрь на 10мм наружу дна комнатного блока так, чтобы он не задевал воздушного жалюзи. Удостоверьтесь, чтобы не протолкнуть заделывающий материал далее чем на 10мм.

DIŐ HATLAR VE EBATLAR

İç Mekan Ünitesi ACQ 71 / 100 / 125 BV1

Tüm boyutlar mm olarak verilmiştir



Modeller	A	B	C	D	E	F	G	H	I	J	K
ACQ 71 BV1	820	820	340	300	40	990	990	627	627	607	430
ACQ 100 BV1 / ACQ 125 BV1	820	820	375	335	40	990	990	627	627	607	430

Türkçe

Orjinal talimatların çevirisi

KURULUM KILAVUZU

Bu el kitabında, klima ünitesi için güvenli ve iyi çalışma standardı sağlamak için gerekli kurulum prosedürleri verilmektedir.

Yerel gereksinimlere uyum sağlamak için özel ayarlama gerekli olabilir.

Klimanızı kullanmadan önce, lütfen bu talimat el kitabını dikkatli bir şekilde okuyun ve ileride başvurmak üzere saklayın.

Bu cihaz, uzman veya eğitilmiş kişiler tarafından mağazalarda, aydınlatma endüstrisinde ve çiftliklerde veya meslekten olmayan kişiler tarafından ticari amaçlı olarak kullanılacak şekilde tasarlanmıştır.

Bu cihaz, güvenliklerinden sorumlu bir kimse tarafından cihazın kullanımıyla ilgili nezaret veya talimat sağlanmadıkça çocuklar dahil düşük fiziksel, duyuşsal veya zihni yeteneklere sahip veya deneyimden ve bilgiden yoksun kişilerin kullanımına yönelik değildir.

Cihazla oynamadıklarının garantiye alınması için çocuklar gözetim altında bulundurulmalıdır.

GÜVENLİK ÖNLEMLERİ

⚠ UYARI

- Kurulum ve bakım işlemleri, yerel kuralları ve yönetmelikleri bilen, bu tür cihazlar konusunda tecrübesi olan kalifiye kişiler tarafından yapılmalıdır.
- Sahadaki tüm elektrik tesisatı, ulusal kablolama yönetmeliklerine uygun bir şekilde yapılmalıdır.
- Elektrik tesisat şemasına göre kabloları çekmeye başlamadan önce ünitenin voltaj değerinin, işletim değerleri plakasındaki değerle aynı olduğuna emin olunuz.
- Yalıtım yetersizliğinin neden olabileceği olası tehlikeleri önlemek için ünite TOPRAKLANMALIDIR.
- Hiçbir elektrik kablosu, soğutucu borularına veya fan motorlarının hareketli kısımlarına temas etmemelidir.
- Üniteyi kurmadan veya üniteye bakım yapmadan önce ünitenin KAPALI duruma getirildiğinden emin olunuz.
- Klimaya bakım yapmadan önce ünitenin kablosunu ana elektrik şebekesinden çıkarınız.
- Güç açık durumdayken güç kablosunu ÇEKMEYİN. Bu, yangın tehlikesiyle sonuçlanabilen ciddi elektrik çarpmalarına neden olabilir.
- Parazitli resimleri ve paraziti önlemek için, iç ve dış üniteleri, güç kablosu ve nakil tertibatını TV'lerden ve radyolardan en az 1m uzakta tutun. {Elektrik dalgalarının türü ve kaynağına bağlı olarak, 1m'den uzakta bile statik elektrik duyulabilir}.

⚠ DİKKAT

Lütfen kurulum yaparken aşağıdaki önemli noktalara dikkat edin.

- Üniteyi yanıcı gaz sızıntısının olabileceği yerlere kurmayın.
Ünite etrafında gaz sızır ve birikirse, yangına neden olabilir.
- Tahliye borularının doğru bağlandığından emin olun.
Tahliye boruları düzgün bağlanmazsa, su sızıntısına neden olabilir ve ev eşyasını ıslatır.
- Üniteyi aşırı yüklemeyin.
Bu ünite fabrikada önceden yüklenmiştir. Aşırı yükleme aşırı akıma veya kompresör hasarına neden olur.
- Bakım veya kurulumdan sonra ünite panelinin kapatıldığından emin olun.
Emniyete alınmamış paneller ünitenin gürültülü çalışmasına neden olur.
- Keskin kenarlar ve bobin yüzeyleri yaralanma tehlikesinin olabileceği yerlerdir.
Bu yerlere temas etmekten kaçınınız.
- Güç kaynağını kapatmadan önce, ünitenin sıkıntı çıkarmasını önlemek için uzaktan kumandanın ON/OFF anahtarını "OFF" konumuna getirin. Bu yapılmazsa, elektrik yeniden geldiğinde ünitenin fanları otomatik olarak çalışmaya başlar ve bu durum bakım personeli veya kullanıcıya karşı tehlike oluşturur.
- Isıtma aygıtlarını klima ünitesine çok yakın çalıştırmayın. Bunu yapmak, aşırı ısı sonucunda plastik panelin erimesine veya deforme olmasına neden olabilir.
- Üniteleri kapı yoluna veya yakınına kurmayın.
- Klima ünitesine çok yakında ısıtma aygıtları çalıştırmayın veya mineral yağ, yağ buharı ya da istimi bulunan odalarda kullanmayın, aşırı ısı veya kimyasal reaksiyon plastik kartın erimesine veya deforme olmasına neden olabilir.
- Ünite, mutfakta kullanıldığında unun ünite tarafından emilmesini önleyin.
- Bu ünite, soğutma yağı buharını veya demir tozunun ya da voltaj dalgalanmalarının çok olduğu yerlerde imalathane için uygun değildir.
- Üniteyi, kaplıca veya yağ rafineri tesisi gibi sülfür gazının bulunduğu alanlara kurmayın.
- Dış mekan ünitesinin kablolarının renkleri ile iç mekan ünitesinin terminal renklerinin aynı olduğundan emin olunuz.
- ÖNEMLİ: KLİMA ÜNİTESİNİ ÇAMAŞIR YIKANAN BİR ODAYA KURMAYIN.
- Gelen güç kaynağında ekli veya kıvrılmış kablolar kullanmayın.
- Herhangi bir boru arıtma temizleyicisinin plastik kısımla doğrudan temas etmesini önleyin. Bu durum plastik kısmın kimyasal tepkime sonucunda şeklinin bozulmasına neden olabilir.
- Yedek parçalarla ilgili sorularınız için lütfen yetkili bayi ile görüşün.
- Ekipman potansiyel olarak patlayıcı olan bir ortamda kullanılmak üzere tasarlanmamıştır.

DİKKAT

Atım Şartları

Klima cihazınızın üzerinde bu simge yer almaktadır. Bu, elektrikli ve elektronik ürünlerin, ayrıştırılmamış ev atıkları ile karıştırılmayacağını ifade etmektedir.

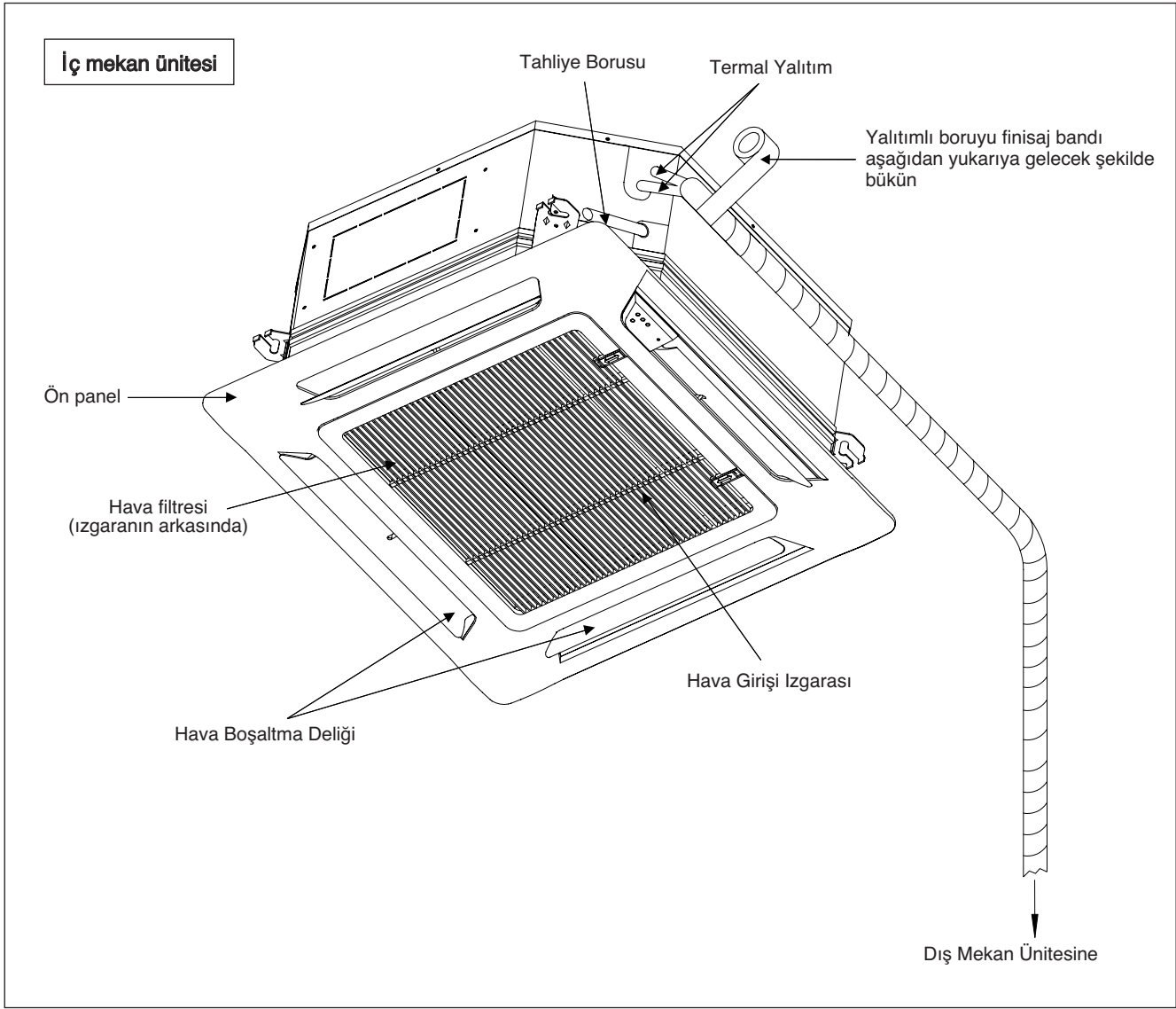
Sistemi kendi başınıza sökmeye kalkışmayınız: Klimanın sökülmesi ile soğutucu, yağ ve diğer parçalarla ilgili işlemler; yerel ve ulusal düzeyde ilgili yasalara uygun bir şekilde, kalifiye bir montaj elemanı tarafından gerçekleştirilmelidir.

Klimaların yeniden kullanılması, geri dönüştürülmesi ve geri kazanım işlemleri, bu konuda uzmanlığa sahip özel bir tesiste yapılmalıdır. Bu ürünün gerektiği gibi elden çıkarılmasını sağlayarak, çevre ve insan sağlığı açısından olası olumsuz sonuçları önlemeye yardımcı olacaksınız. Bu konuda daha fazla bilgi edinmek için lütfen kurulum yetkilisine veya yerel yetkililere danışın.

Bataryalar, uzaktan kumandanı çıkarıldıktan sonra, yerel ve ulusal düzeyde ilgili yasalara uygun olarak, ayrı bir şekilde elden çıkarılmalıdır.



KURULUM ŐEMASI

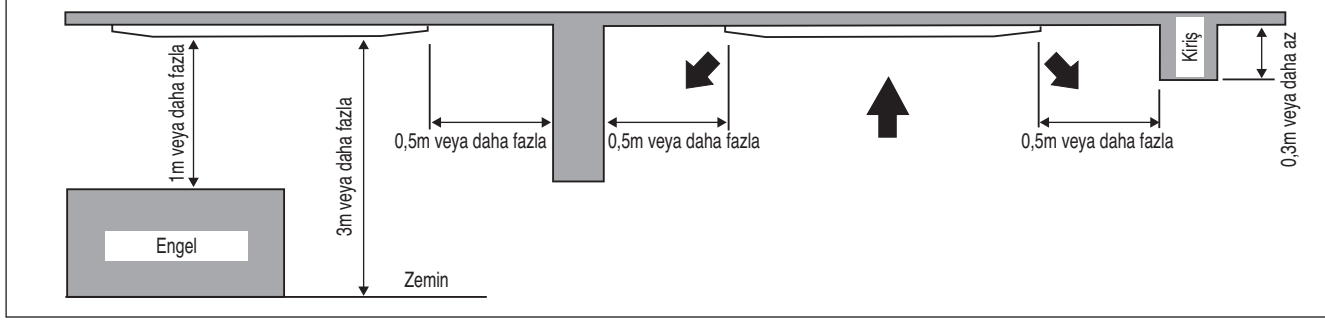


İÇ ÜNİTENİN MONTAJI

Montaj Yeri Ön İncelemesi

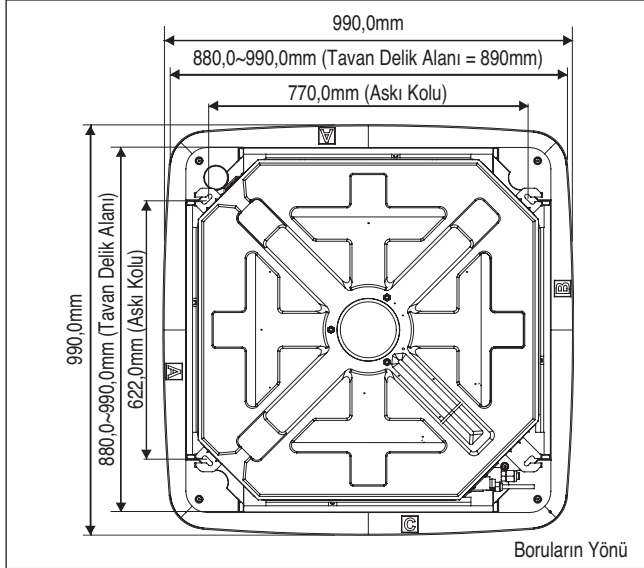
Klima iç ünitesini kurmadan önce bu kılavuzu okuyun.

- Voltaj yükselmesi ve alçalması anma geriliminin $\pm 10\%$ 'unu aşmamalıdır. Elektrik hatları yüksek elektrik yükselip alçalmasına neden olabilen kaynak transformatörlerinden bağımsız olmalıdır.
- Elektrik tesisatı, boru tesisatı ve tahliye tesisatı için yerin uygun olmasına dikkat edin.
- Üniteyi açarken veya açtıktan sonra taşırken reçineli parçalara baskı uygulamayın.
- Taşırken, kurulacağı yere ulaşana kadar üniteyi paketten çıkarmayın. Ünitenin hasar görmesini veya çizilmesini önlemek için paketten çıkarırken veya kaldırırken güvenlik malzemeleri ya da koruyucu levhalar kullanın.



- Kurulum yerinin aşağıdaki özelliklere sahip olduğundan emin olun:
 - a) Rahat bir şekilde tahliyenin yapılabildiği bir yer olduğundan.
 - b) Elektrik ve boru tesisatı için uygun olduğundan.
 - c) Kurulum ve bakım için yeterli alana sahip olduğundan.
 - d) Yanıcı gaz tehlikesinin olmadığından.
 - e) Soğuk hava tahliye ve sıcak hava geri dönüş yolunda hiçbir engel olmadığından ve havanın oda içerisinde yayılmasına izin derdiğinden (odanın merkezine yakın).
 - f) Aşağıdaki şekilde gösterildiği gibi iç ünite ile duvar ve engeller arasında boşluk bırakıldığından emin olun.
 - g) Ses artışı ve titreşimi önlemek için montaj yeri iç ünitenin 4 katı ağırlıktaki bir yükü kaldırabilecek güçte olmalıdır.
 - h) Montaj yeri (asma tavan yüzeyi) düzleş tirilmeli ve tavan yüksekliği 350mm ya da daha fazla olmalıdır.
 - i) İç ünite sıcaklık ve buhar kaynaklarından uzak olmalıdır (aynı zamanda iç üniteyi girişin yakınına kurmak kaçınılmalıdır).

Ünite Montajı

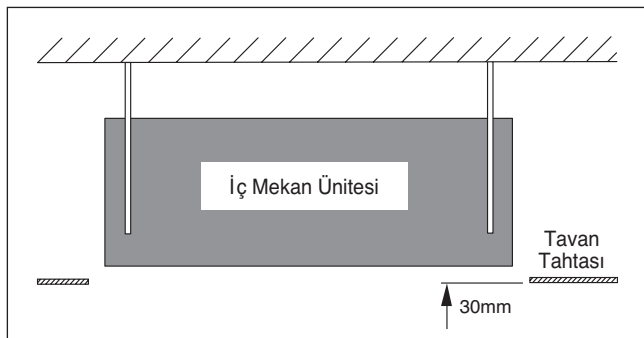


- Askı kolu yerini ölçün ve işaretleyin. Dirsek somunu için tavana delik açın ve asma kolunu yerleştirin.
- Montaj levhası sıcaklı ve neme göre uzatılır. Kullanılan ölçüleri kontrol edin.
- Montaj levhasının ölçüleri tavan açıklığına göre ayarlayın.
- Tavan kaplama işini tamamlamadan önce, montaj levhasının iç üniteye uyup uymadığından emin olun.

NOT

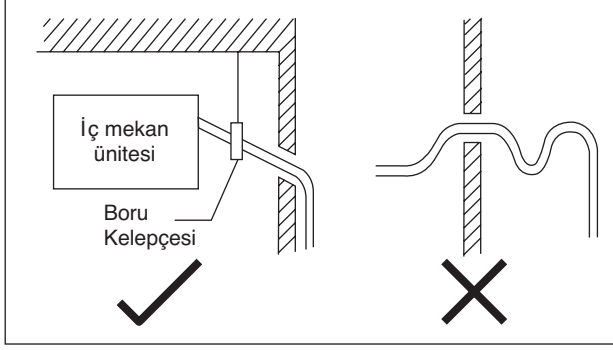
Tavan delme iflini ilgili montajcılar ile görüşüldüğünden emin olun.

Üniteyi in Asılması



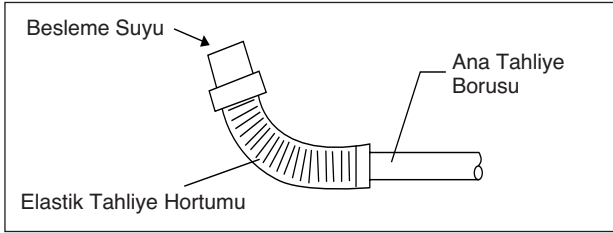
- Asma çubuğu eğiminin 770mm x 622mm dik olduğunu doğrulayın.
- Üniteyi kaldırın, somun ve rondela ile askı koluna asın.
- İç ünitenin alt yüzeyi ve tavan yüzeyi arasındaki ünite yüksekliğini 30mm'ye ayarlayın.
- Bir seviye göstergesi ile ünitenin yatay montajını kontrol edin ve ünite arızasını ve titreşimi önlemek için somun ve civatayı sıkın.
- Tavan döşemesini kağıt montaj levhasının dış kenarı boyunca açın.

Tahliye Pompası Tesisatı



- Tahliye pompası düzgün tahliye için aşağıya doğru eğimli olmalıdır.
- Tahliye borusu bağlantısı sırasında, iç üniteye tahliye bağlantısı üzerinde aşırı kuvvet uygulamamaya özen gösterin.
- Drenaj borusunun takılması sırasında, iç mekan ünitesinin drenaj konektörüne aşırı kuvvet uygulamamaya dikkat edin.
- Elastik tahliye hortumundaki tahliye bağlantısının dış çapı 20mm'dir.
- Yoğunlaştırılmış suyun oda içerisine damlamasını önlemek için tahliye borusu tesisatının üzerine ısı yalıtımının (8,0mm'den daha fazla kalınlığa sahip polietilen köpük) yapılıp - yapıldığından emin olun.

Tahliye Testi



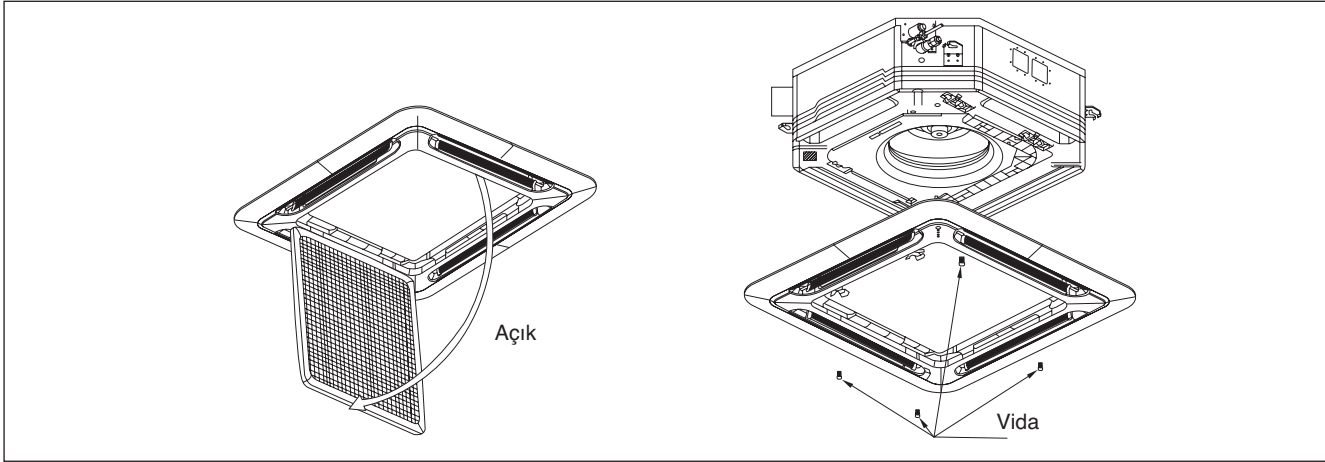
- Ana tahliye borusunu elastik tahliye hortumuna bağlayın.
- Boru tesisatının sızıntı yapıp yapmadığını kontrol etmek için elastik tahliye hortumundan su verin.
- Test tamamlandığı zaman, elastik tahliye hortumunu iç üniteye tahliye bağlantısına takın.

NOT

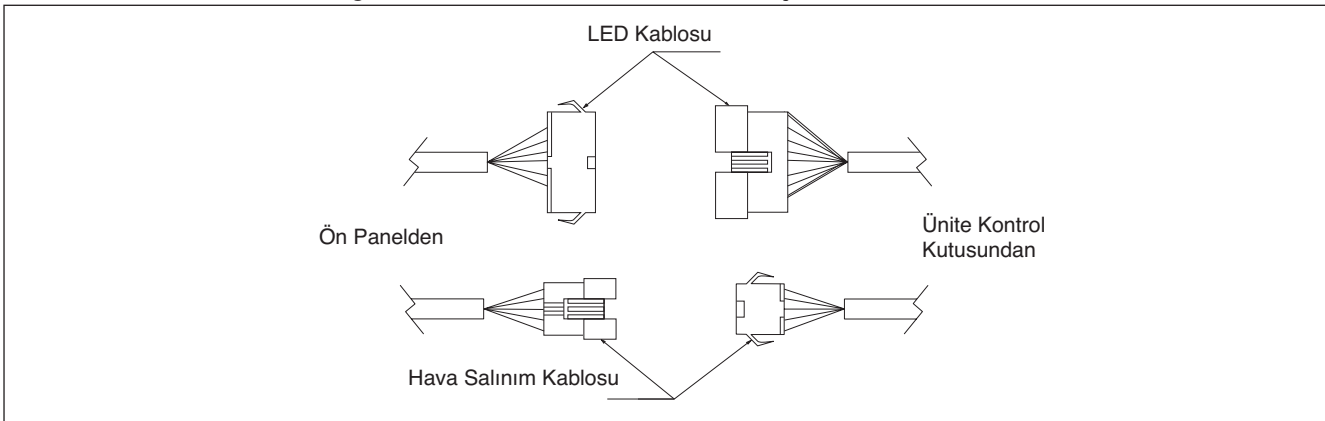
Ünite yoğunlaştırılmış su tahliyesi için bir tahliye pompası kullanır. Su sızıntısını ya da hava çıkışı çevresinde yoğunlaşmayı önlemek için üniteyi yatay şekilde kurun.

Panel Montajı

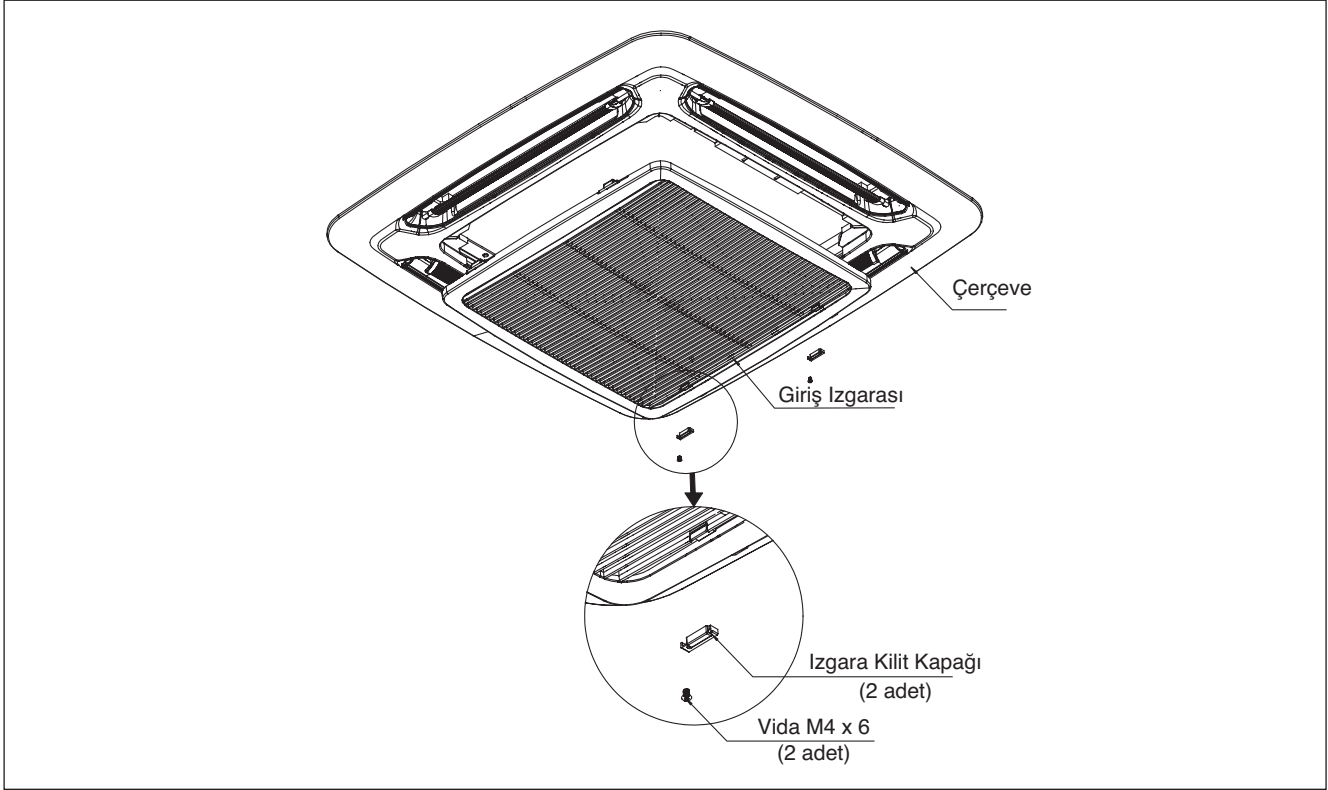
- Ön panel yalnızca tek yönde takılabilir, boru yönüne dikkat edin. (Ön paneldeki boru yapışkan okunu takip edin)
- Ön paneli yerleştirmeden önce montaj levhasını çıkardığınızdan emin olun.



- Mandalları geriye çekerek ve panelden filtre ile birlikte çıkararak hava giriş ızgarasını açın.
- Ön çerçeve panelini 4 vida ile iç ünitenin üzerine monte edin ve soğuk havanın kaçmasını engellemek için iyice sıkın.
- LED kablusunu ve hava salınım kablusunu iç üniteye bağlayın.
- Hava salınım konektörü bağlandıktan sonra kontrol kutusunun iç tarafında olmalıdır.



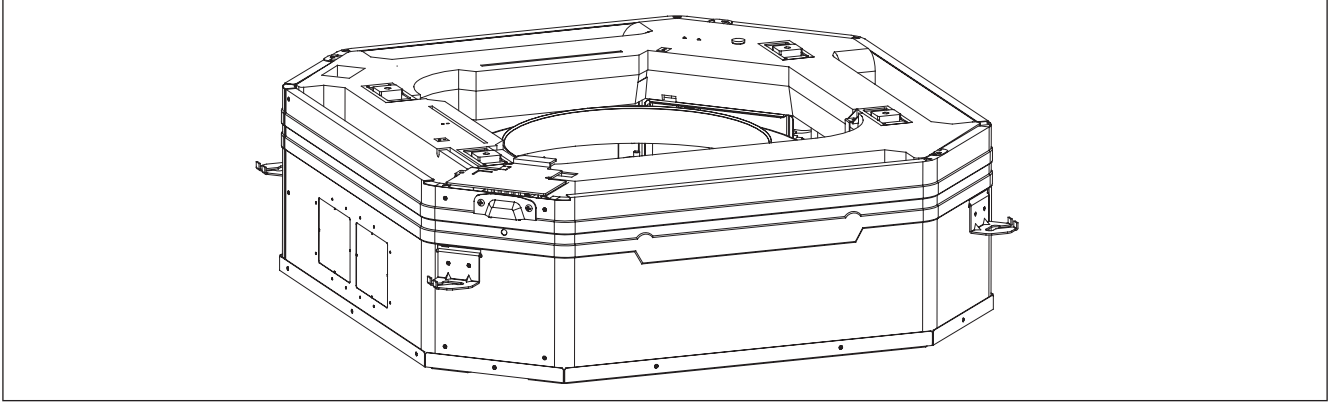
Kapak Kilitli Izgarası (Kullanıcının doğrudan erişimine karşı hareketli parça koruması)
Kapak kilidi ızgarası aşağıdaki şekilde olduğu gibi takılmalıdır.



Üniteye bakım yapılması gerekirse, aşağıdaki aşamalar takip edilmelidir :

1. Üniteye bakım yapmadan önce ünitenin kapatıldığından emin olun.
2. Izgara kilit kapağı üzerindeki vidayı sökmek için tornavidayı kullanın.
3. Izgara kilit kapağını çıkarın ve bakım yapmak için hava giriş ızgarasını açın.
4. Hava giriş ızgarasını takın ve bakım yaptıktan sonra ızgara kilit kapağını yerine vidalayın ve bu ünitenin doğru şekilde takıldığından emin olun.

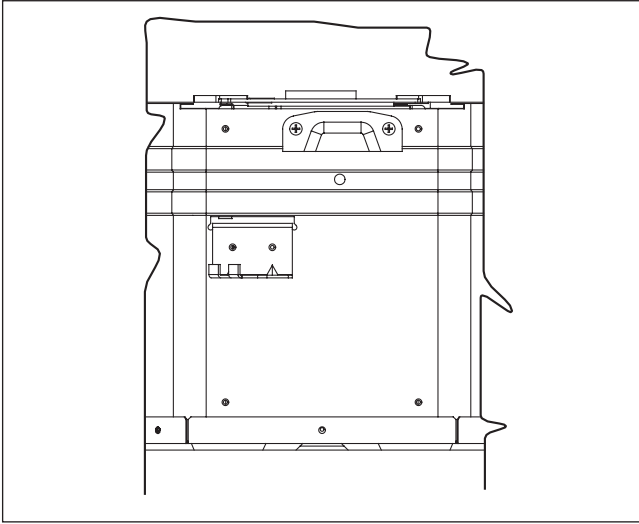
Kablo Tesisatı



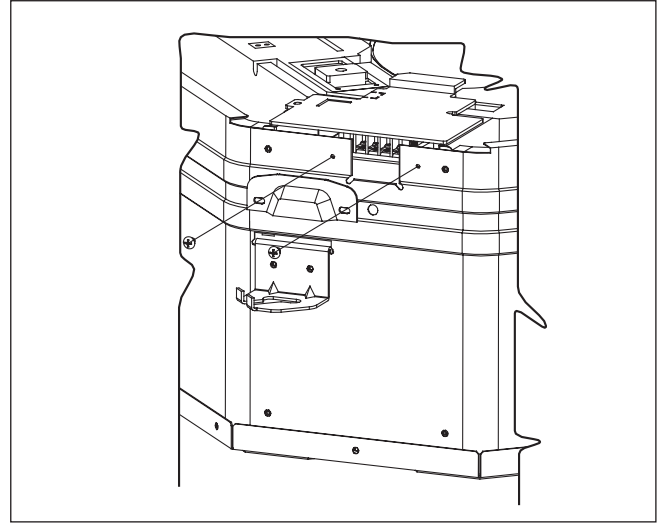
Şekil 1

Şekil 1 ve Şekil 2 İç Mekan ünitesindeki kapak kablosunun konumunu gösterir. Güç kaynağı kablolarını ve dış üniteden gelen kabloları bağlama adımları.

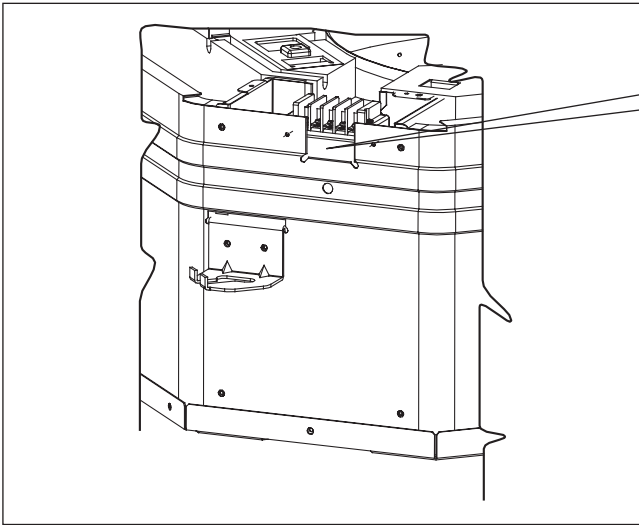
1. Şekil 3'de gösterildiği gibi 2 adet vidayı çıkararak kablo kapağını çıkarın.
2. Kablolar, delik yüksekliğini geçmeden sırası ile Şekil 4 ve Şekil 5'de gösterildiği gibi delikten geçirilecektir.
3. Ardından, kabloyu kapatmak için kablo kapağı geri takılacaktır.



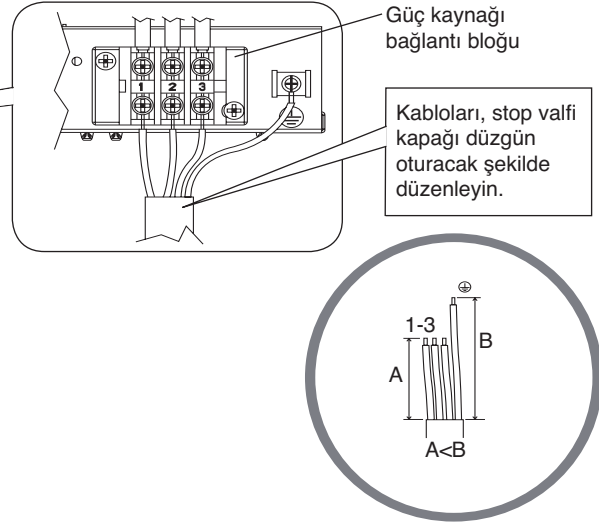
Şekil 2



Şekil 3



Şekil 4



Şekil 5

⚠ DİKKAT

Üniteyi, iç ve dış mekan için 2000m üzerinde yükseklikte kurmayın.

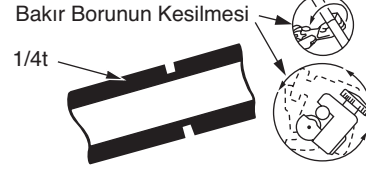
Boru İşleri ve Boru Havsa Tekniği

- Kirli veya hasarlı bakır boru kullanmayın. Herhangi bir boru tesisatı, hava kanalı veya kondensatör 15 saniye ya da daha fazla süre ile yalıtımsız ya da açık durumda kalırsa, sistemin temizlenmesi gerekmektedir. Genellikle, plastik, kauçuk tapalar ve piriç somunları emiş veya sıvı borusunu valf ya da bağlantılara takmaya hazır oluncaya kadar valfer, bağlantılar, borular ve bobinlerden çıkarmayın.
- Eğer kaynak yapmanız gerekecekse, kaynak sırasında spirallerden ve bağlantılardan azot gazı geçmesini sağlayınız. Böylece bakır boruların iç çeperlerinde is oluşması önlenecektir.
- Boru kesicinin bıçağını yavaşça ilerleterek boruyu aşama aşama kesin. Fazla güç ve derin kesme daha fazla bozulmaya ve fazla çapağa neden olur. Şekil A'ye bakınız.
- Boruların kesik kenarlarındaki çapakları Şekil B'de gösterildiği gibi temizleyiciyle çıkartın. Bu konik yüzey üzerindeki gaz sızıntısına neden olabilecek pürüzleri ortadan kaldırır. Boruya metal çiplerin girmesini önlemek için borunun ucunu aşağı doğru tutun.
- Hem iç ünite hem dış ünite bağlantı parçalarının havşa a somunlarını bakır borulara geçirin.
- Konik kalıbın yüzeyinden çıkmaktan olan borunun tam uzunluğu, konik alet tarafından belirlenir. Şekil C'ye bakın.
- Boruyu konik kalıp üzerinde sıkıca sabitleyin. Hem çekiçleme bloğu hem de konik matkabın orta noktalarını eşleştirin ve sonra konik matkabi tam olarak sıkın.

Ünitelere Boru Bağlantıları

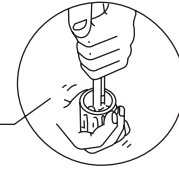
- Borunun ortasını hizalayın ve konik civatayı parmaklarınızla mümkün olduğunca sıkıştırınız. Şekil D'ye bakın.
- Son olarak, anahtardan çıt sesi gelinceye kadar havşalı somunu bir tork anahtarıyla sıkın.
- Konik civatayı tork anahtarıyla sıkıştırırken, anahtarın üzerindeki oka göre doğru yönde sıkıştırdığınızdan emin olun.
- Soğutucu borusu bağlantısı kapalı hücreli poliüretan ile yalıtılmıştır.

Şekil A

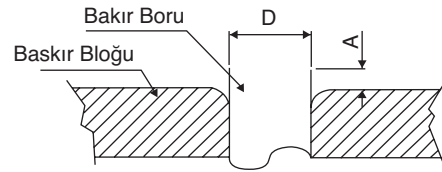


Şekil B

Çapakların Temizlenmesi



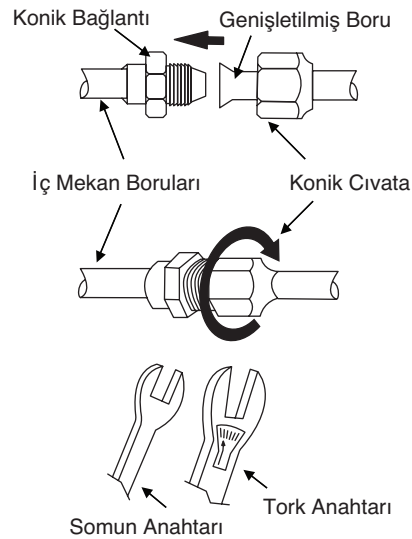
Şekil C



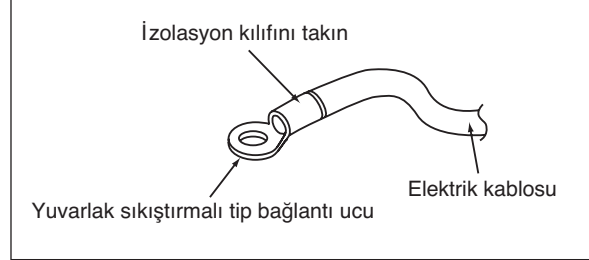
Boru Büyüklüğü (mm/inç)	Tork, Nm/(ft-lb)
6,35 (1/4")	18 (13,3")
9,52 (3/8")	42 (31,0")
12,70 (1/2")	55 (40,6")
15,88 (5/8")	65 (48,0")
19,05 (3/4")	78 (57,6")

Ø Boru, D		A (mm)	
Inç	mm	Esnek (Kelebek Somunlu Tip)	Sert (Kavrama Tipi)
1/4"	6,35	1,3	0,7
3/8"	9,52	1,6	1,0
1/2"	12,70	1,9	1,3
5/8"	15,88	2,2	1,7
3/4"	19,05	2,5	2,0

Şekil D



- Tüm kablolar sıkıca bağlanmalıdır.
- Hiçbir kablonun soğutucu borulara, kompresöre veya herhangi bir hareketli parçaya değmediğinden emin olun.
- İç ünite ile dış ünite arasındaki bağlantı kablosu, ürünle birlikte verilen kablo sabitleyicisi kullanılarak kenetlenmelidir.
- Güç kaynağı kablosu minimum gereksinim olan H07RN-F değerinde olmalıdır.
- Terminal bağlantılarına ve kablolarına herhangi bir dış basınç uygulanmadığından emin olun.
- Tüm kapakların herhangi bir boşluk bırakılmadan gerektiği gibi sabitlenmesini sağlayın.
- Elektrik bağlantı kutusuna olan bağlantı kabloları için yuvarlak sıkıştırılmalı tip bağlantı ucu kullanın. Kabloları bağlantı kutusunun üzerindeki işaretlerle eşleştirerek bağlayın. (Üniteye yapıştırılan kablo şemasına bakınız).



- Uç vidaları sıkarken doğru tornavidayı kullanın. Uygun olmayan tornavidalar vida başına zarar verebilir.
- Aşırı sıkma terminal vidalarına hasar verebilir.
- Aynı uca farklı kalınlıkta kabloları bağlamayın.
- Kabloların düzenli kalmasını sağlayın. Kabloların diğer parçaları ve terminal kutusu kapağını engellemesini önleyin.



R410A ÜNİTESİYLE UĞRAŞIRKEN ÖZEL ÖNLEMLER

R410A ozon tabakasına zarar vermeyen yeni bir HFC soğutucudur. Bu yeni soğutucunun çalışma basıncı klasik soğutuculardan (R22) 1,6 kez daha yüksektir, bu nedenle uygun montaj / bakım zorunludur.

- R410A ile çalışmak için tasarlanan klimalarda asla R410A'dan başka soğutucu kullanmayın.
- R410A kompresör için, R22 kompresörde kullanılan mineral yağdan farklı POE veya PVE yağ kullanılır. Kurulum veya bakım sırasında, R410A sisteminin uzun süre nemli havaya maruz kalmamasına özel dikkat gösterilmelidir. Borularda ve bileşenlerde kalan POE veya PVE yağı havadan nem alabilir.
- Yanlış şarjı engellemek için, havşalı valfidaki servis yuvasının çapı R22'den farklıdır.

- Yalnızca R410A soğutucuya özel olan alet ve materyalleri için kullanın. R410A'ya özel olan aletler manifold valfi, şarj hortumu, basınç göstergesi, gaz sızıntı alarmı, havşa aletleri, tork anahtarı, vakum pompası ve soğutucu silindirdir.
- R410A kliması R22 ünitelerden daha yüksek basınç aldığı için, bakır boruları doğru olarak seçmek önemlidir. Pazarda bulunmalarına rağmen, 0,8 mm 'den daha ince olan bakır boruları asla kullanmayın.
- Kurulum / servis sırasında soğutucu gaz sızıntısı meydana gelirse, tamamen havalandırmayı unutmayın. Soğutucu gaz ateşle temas ederse, zehirli gazlar meydana gelebilir.
- Bir klima takarken veya kaldırırken, soğutucu dönüşümde hava veya nem kalmasına izin vermeyin.

VAKUMLAMA VE DOLDURMA

Sistemden tüm nem ve havayı boşaltmak için vakumlama işlemi gerekir.

Boruları ve İç Üniteyi Vakumlama

İç mekan ünitesi ve soğutucu bağlantı boruları hava ile arındırılmalıdır çünkü soğutucu devrinde kalan nemli hava kompresörün arızalanmasına neden olabilir.

- Valf ve servis deliği kapaklarını çıkarın.
- Dolum ölçeri ortasından vakum pompasına bağlayın.
- Dolum ölçeri 3 yönlü valfini servis deliğine bağlayın.

- Vakum pompasını çalıştırın. Yaklaşık 30 dakika tahliye edin. Tahliye süresi vakum pompasının kapasitesine göre değişebilir. Dolum ölçer iğnesinin -760mmHg arasında hareket ettiğini doğrulayın.

Dikkat

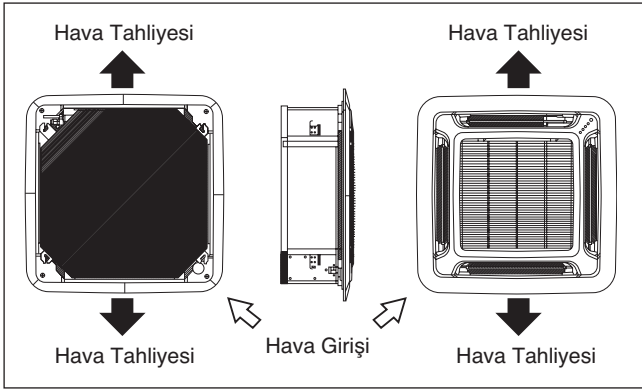
- Ölçerin iğnesi -760mmHg arasında hareket etmezse, iç ve dış ünitenin konik tip bağlantısında gaz sızıntısı olmadığından emin olun (soğutucu detektörü kullanarak) ve sonraki adıma geçmeden önce sızıntıyı giderin.
- Değiştirme ölçerinin valfini kapatın ve vakum pompasını durdurun.

AKSESUAR PARÇALAR

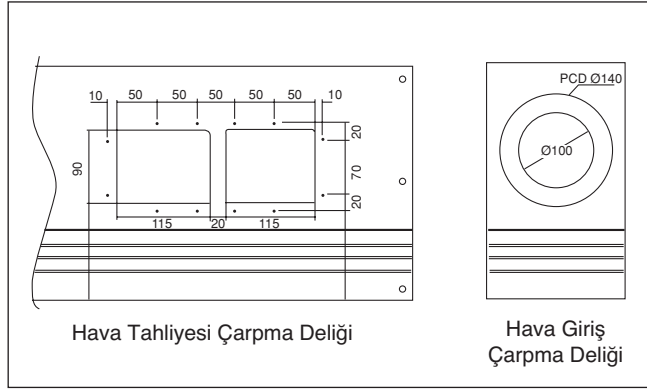
Kısa Kanal Spesifikasyonu

- İç ünite kanal bağlantısı için hava çıkış ve hava giriş "çarpma" deliği ile birlikte sağlanır. Bununla birlikte yalnızca bir kenarda hava çıkışı için kısa kanal bağlantısının olması mümkündür.
- Eper bir engel (aydınlatma armatürü gibi) varsa veya uzun dar bir yerde ya da L şeklindeki bir yerde ise hava çıkışı için kısa kanalın kullanılması hava akışı dağıtımını arttıracaktır. Ayrıca, aynı anda iki yeri ısıtmak/soğutmak için de kullanılabilir.

Mümkün olan Hava Çıkışı ve Hava Giriş Yönü



Mümkün olan Kanal Bağlantısı Delik Boyutları



NOT

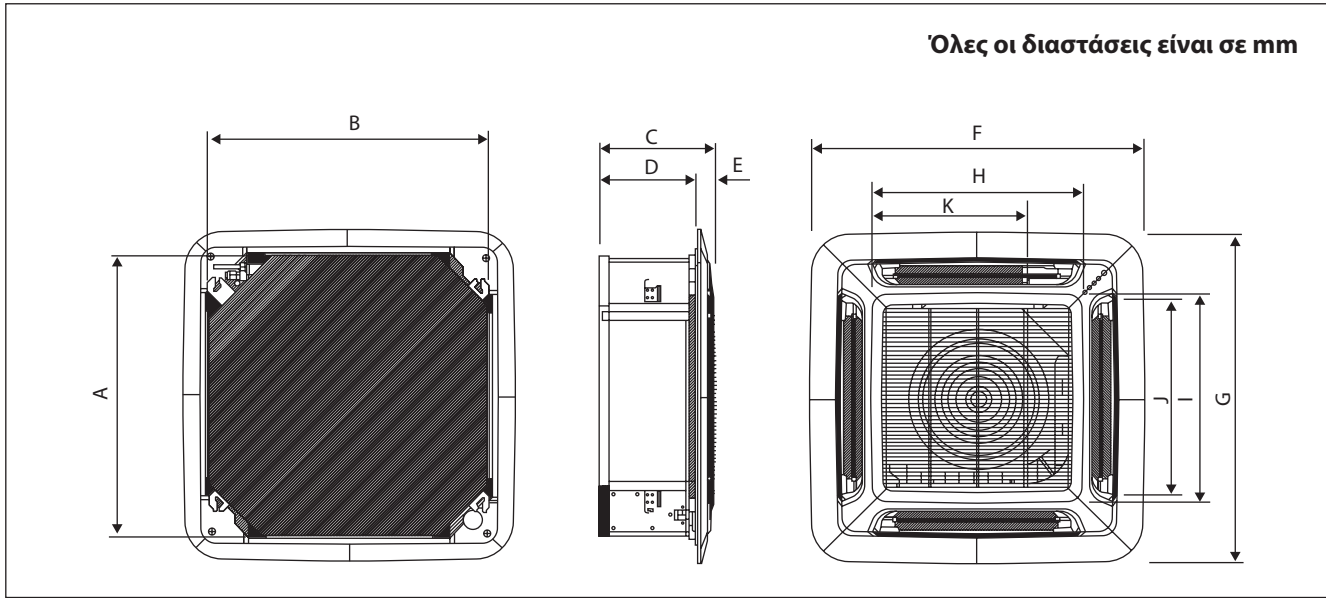
- Hava kanalının donmasını engellemek için kısa kanalı hava çıkış ızgarasını tamamen kapatacak şekilde kullanmaktan kaçının.
- Yoğunlaşma oluşumunu önlemek için kısa kanalı monte ederken yeterli ısı yalıtımının olduğundan ve herhangi bir soğuk hava sızıntısının olmadığından emin olun.
- Temiz hava girişi tedarikliğini toplam hava akışının 20%'si içerisinde olacak şekilde muhafaza edin. Ayrıca bir bölme sağlayın ve kanal tipi aksiyal fan kullanın.

Yalıtım Materyali

- Dört hava çıkış deliğinden birinin yalıtılması mümkündür. (iki ya da daha fazla hava çıkış deliğinin yalıtılması bir arızaya neden olabilir.)
- Hava çıkışını izole etmek için ön paneli sökün ve yalıtım materyalini hava çıkış deliği içerisine yerleştirin.
- Yalıtım materyali uzun olan hava çıkış deliği ile aynı uzunluktadır. Eğer daha kısa olan hava çıkış deliği yalıtılmak isteniyorsa, kısaltmak için yalıtım materyalini kesin.
- Yalıtım materyalini iç ünitenin alt yüzeyinin ilerisinden yaklaşık 10 mm itin böylece hava dağıtım kanadı ile temas etmeyecektir. Yalıtım materyalini yaklaşık 10mm'den fazla itmediğinizden emin olun.

ΠΕΡΙΓΡΑΦΜΑ ΚΑΙ ΔΙΑΣΤΑΣΕΙΣ

Εσωτερική Μονάδα ACQ 71 / 100 / 125 BV1



Μοντέλο \ Διάσταση	A	B	C	D	E	F	G	H	I	J	K
ACQ 71 BV1	820	820	340	300	40	990	990	627	627	607	430
ACQ 100 BV1 / ACQ 125 BV1	820	820	375	335	40	990	990	627	627	607	430

ΕΓΧΕΙΡΙΔΙΟ ΕΓΚΑΤΑΣΤΑΣΗΣ

Το παρόν εγχειρίδιο παραθέτει τις διαδικασίες εγκατάστασης με σκοπό τη διασφάλιση της ασφαλούς και καλής λειτουργίας της μονάδας κλιματισμού. Ενδέχεται να χρειαστούν ειδικές ρυθμίσεις για να ικανοποιηθούν οι τοπικές απαιτήσεις.

Πριν χρησιμοποιήσετε το κλιματιστικό, διαβάστε προσεκτικά το παρόν εγχειρίδιο οδηγιών και φυλάξτε το για μελλοντική χρήση.

Αυτή η συσκευή προορίζεται για χρήση από ειδικούς ή εκπαιδευμένους χρήστες σε καταστήματα, στην ελαφρά βιομηχανία και σε αγροκτήματα, ή για εμπορική χρήση από νομικά πρόσωπα.

Η συσκευή δεν προορίζεται για χρήση από παιδιά και άτομα με μειωμένες σωματικές, αισθητηριακές ή πνευματικές ικανότητες, ή από άτομα χωρίς εμπειρία και γνώσεις, εκτός εάν τη χειρίζονται σύμφωνα με τις οδηγίες ή υπό την επίβλεψη κάποιου ατόμου υπεύθυνου για την ασφάλειά τους.

Μην αφήνετε τα παιδιά χωρίς επίτηρηση, προκειμένου να εξασφαλίσετε ότι δεν παίζουν με τη συσκευή.





ΠΡΟΦΥΛΑΞΕΙΣ ΑΣΦΑΛΕΙΑΣ

⚠️ ΠΡΟΕΙΔΟΠΟΙΗΣΗ

- Η εγκατάσταση και η συντήρηση θα πρέπει να εκτελείται από εξειδικευμένα άτομα που γνωρίζουν τον τοπικό κώδικα και τους κανονισμούς, και έχουν πείρα με τέτοιου είδους συσκευές.
- Όλες οι επί τόπου καλωδιώσεις πρέπει να εγκαθίστανται σύμφωνα με τον εθνικό κανονισμό καλωδίωσης.
- Βεβαιωθείτε ότι η ονομαστική τάση τροφοδοσίας της μονάδας αντιστοιχεί σε αυτήν που αναγράφεται στην πινακίδα τύπου, πριν αρχίσετε την καλωδίωση σύμφωνα με το διάγραμμα συνδεσμολογίας.
- Η μονάδα πρέπει να ΓΕΙΩΝΕΤΑΙ προκειμένου να αποφευχθεί τυχόν κίνδυνος λόγω αστοχίας της μόνωσης.
- Απαγορεύεται να έλθει ηλεκτρική καλωδίωση σε επαφή με τη σωλήνωση ψυκτικού μέσου ή οποιαδήποτε κινούμενα μέρη των μοτέρ ανεμιστήρων.
- Βεβαιωθείτε ότι η μονάδα είναι ΑΠΕΝΕΡΓΟΠΟΙΗΜΕΝΗ πριν την εγκαταστήσετε ή την συντηρήσετε.
- Αποσυνδέστε τη μονάδα κλιματισμού από το δίκτυο ηλεκτρικής τροφοδοσίας πριν εκτελέσετε σέρβις σε αυτήν.
- ΜΗΝ τραβάτε το καλώδιο ρεύματος ενόσω η τροφοδοσία είναι ΕΝΕΡΓΟΠΟΙΗΜΕΝΗ. Κάτι τέτοιο μπορεί να προκαλέσει σοβαρές ηλεκτρικές εκκενώσεις με κίνδυνο πυρκαγιάς.
- Τοποθετήστε την εσωτερική και την εξωτερική μονάδα, το καλώδιο τροφοδοσίας και την καλωδίωση μετάδοσης, σε απόσταση τουλάχιστον 1m από τηλεόρασεις και ραδιόφωνα, ώστε να αποφεύγετε τυχόν παραμορφωμένες εικόνες και παράσιτα. (Ανάλογα με τον τύπο και την πηγή των ηλεκτρικών κυμάτων ενδέχεται να ακούγεται θόρυβος ακόμα και σε απόσταση μεγαλύτερη από 1m).

⚠️ ΠΡΟΣΟΧΗ

Κατά την εγκατάσταση, λάβετε υπόψη τις παρακάτω σημαντικές παρατηρήσεις.

- **Μην εγκαθιστάτε τη μονάδα σε σημεία όπου ενδέχεται να σημειωθεί διαροή εύφλεκτου αερίου.**
 Αν κάποιο αέριο διαρρέυσει και συσσωρευτεί γύρω από τη μονάδα, μπορεί να προκληθεί ανάφλεξη.
- **Βεβαιωθείτε ότι η σωλήνωση αποστράγγισης είναι συνδεδεμένη σωστά.**
 Αν η σωλήνωση αποστράγγισης δεν είναι συνδεδεμένη σωστά, ενδέχεται να εκρύνει νερό που θα ποτίσει τα έπιπλα.
- **Μην γεμίζετε υπερβολικά τη μονάδα.**
 Η πλήρωση της μονάδας έχει γίνει στο εργοστάσιο. Τυχόν υπερβολική πλήρωση θα προκαλέσει υπερένταση ή ζημιά στο συμπιεστή.
- **Βεβαιωθείτε ότι το πάνελ της μονάδας είναι κλειστό μετά το σέρβις ή την εγκατάσταση.**
 Αστερέωτα πάνελ θα προκαλέσουν θορυβώδη λειτουργία της μονάδας.
- **Οι αιχμηρές άκρες και οι επιφάνειες των σερπαντίνων είναι σημεία που κρύβουν κινδύνους τραυματισμού. Αποφύγετε την επαφή με τα σημεία αυτά.**
- **Πριν απενεργοποιήσετε την τροφοδοσία, θέστε το διακόπτη ON/OFF (ΕΝΕΡΓΟΠΟΙΗΣΗΣ/ ΑΠΕΝΕΡΓΟΠΟΙΗΣΗΣ) του τηλεχειριστηρίου στη θέση "OFF" (ΑΠΕΝΕΡΓΟΠΟΙΗΣΗ) για να αποφεύγετε το ενδεχόμενο ακούσιας ενεργοποίησης της μονάδας.** Σε διαφορετική περίπτωση, οι ανεμιστήρες της μονάδας θα αρχίσουν να λειτουργούν αυτόματα μόλις αποκατασταθεί η τροφοδοσία, γεγονός που εκθέτει το προσωπικό του σέρβις ή το χρήστη σε κινδύνους.
- **Μην χρησιμοποιείτε συσκευές θέρμανσης πολύ κοντά στη μονάδα κλιματισμού.** Αυτό μπορεί να κάνει τον πλαστικό πίνακα να λιώσει ή να παραμορφωθεί ως αποτέλεσμα της υπερβολικής θέρμανσης.
- **Μην εγκαθιστάτε τις μονάδες στην η κοντά σε είσοδο.**
- **Μην εγκαθιστάτε οποιαδήποτε συσκευή θέρμανσης πολύ κοντά στο κλιματιστικό ούτε να τη χρησιμοποιείτε εκεί όπου υπάρχουν μεταλλικά λάδια, ατμοί λαδιών, γιατί αυτό μπορεί να προκαλέσει το λιώσιμο των πλαστικών μερών ή την παραμόρφωση ως αποτέλεσμα υπερβολικής θέρμανσης ή χημικής αντίδρασης.**
- **Όταν η μονάδα χρησιμοποιείται στην κουζίνα, κρατήστε μακριά το αλεύρι ώστε να μην αναρροφηθεί από τη μονάδα.**
- **Αυτή η μονάδα δεν είναι κατάλληλη για εργοστάσια όπου υπάρχει σκόνη κοπής ή αιθάλη λαδιού η κυμαινόμενη τάση.**
- **Μην εγκαθιστάτε τις μονάδες σε περιοχή με θερμές πηγές ούτε σε διυλιστήρια όπου υπάρχει αέριο του θείου.**
- **Βεβαιωθείτε ότι το χρώμα των καλωδίων της εξωτερικής μονάδας και των επισημάνσεων του τερματικού είναι το ίδιο με εκείνο της εσωτερικής.**
- **ΣΗΜΑΝΤΙΚΟ: ΜΗΝ ΕΓΚΑΘΙΣΤΑΤΕ Ή ΧΡΗΣΙΜΟΠΟΙΕΙΤΕ ΤΟ ΚΛΙΜΑΤΙΣΤΙΚΟ ΣΕ ΔΩΜΑΤΙΟ ΟΠΟΥ ΥΠΑΡΧΕΙ ΠΛΥΝΗΤΗΡΙΟ ΡΟΥΧΩΝ.**
- **Μην χρησιμοποιείτε ενωμένα και συνεστραμμένα καλώδια για την τροφοδοσία.**
- **Αποφύγετε την άμεση επαφή των καθαριστικών πηνίων με το πλαστικό μέρος. Μπορεί να προκληθεί παραμόρφωση των πλαστικών μερών λόγω χημικής αντίδρασης.**
- **Για ερωτήσεις σχετικά με ανταλλακτικά, επικοινωνήστε με τον εξουσιοδοτημένο αντιπρόσωπο.**
- **Ο εξοπλισμός δεν προορίζεται για χρήση σε μια δυνητικά εκρήξιμη ατμόσφαιρα**

ΣΗΜΕΙΩΣΗ

Απαιτείται Απορριψη

Το κλιματιστικό σας φέρει αυτό το σύμβολο. Αυτό σημαίνει ότι ηλεκτρικά και ηλεκτρονικά προϊόντα δεν πρέπει να αναμειγνύονται με αταξινόμητα οικιακά απορρίμματα.

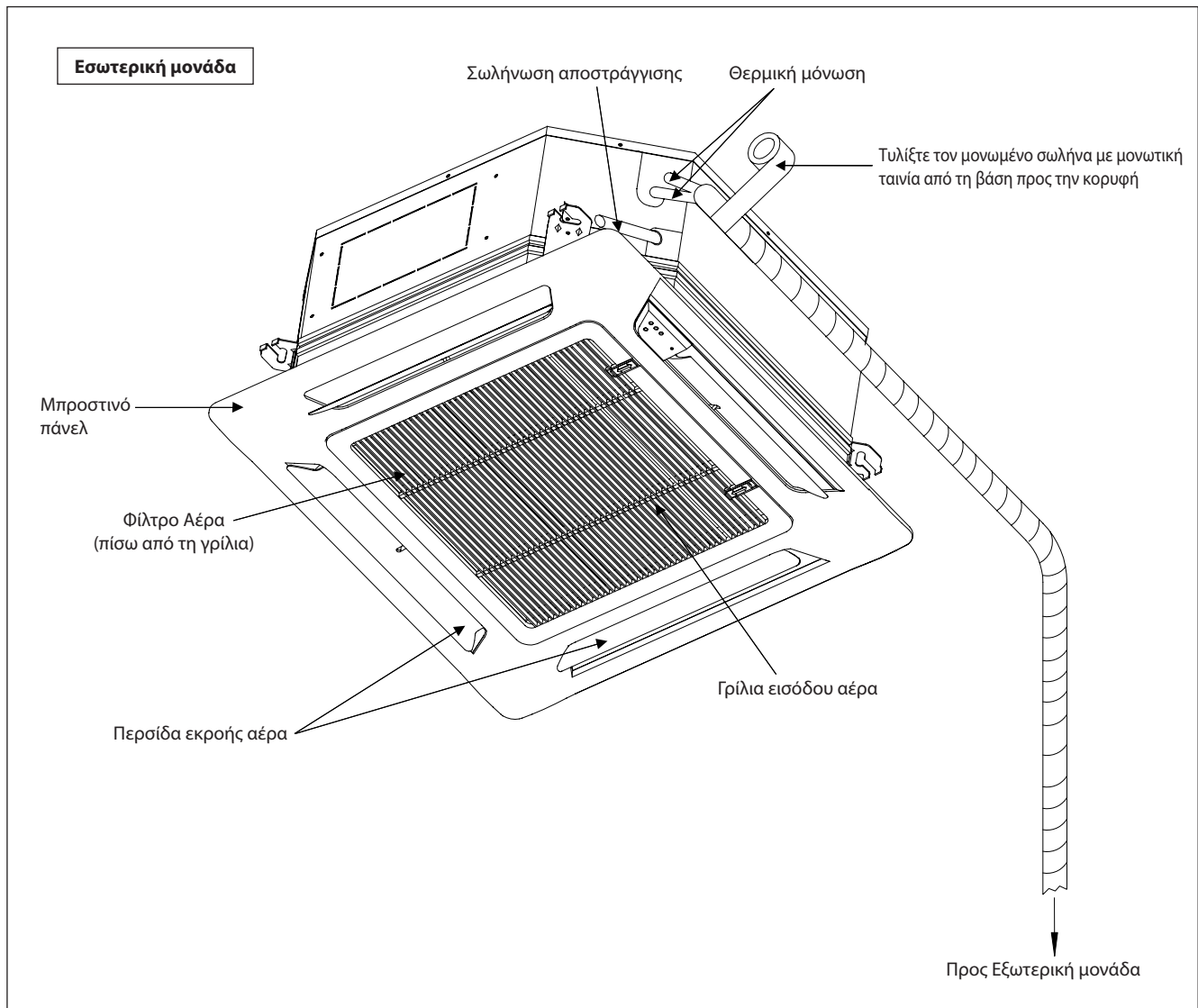
Μην προσπαθήσετε να αποσυναρμολογήσετε μόνοι σας το σύστημα: Η αποσυναρμολογηση του συστήματος του κλιματιστικού, η επεξεργασία ψυκτικού, λαδιών και άλλων μερών πρέπει να γίνεται από εξειδικευμένο τεχνικό εγκατάστασης σύμφωνα με τη σχετική τοπική και εθνική νομοθεσία.

Η επεξεργασία των κλιματιστικών πρέπει να γίνεται σε ειδικό εργαστήριο για την επαναχρησιμοποίηση, ανακύκλωση και ανάκτηση τους. Εξασφαλίζοντας ότι το προϊόν έχει απορριφθεί σωστά, βοηθάτε στο να αποφευχθούν πιθανές αρνητικές συνέπειες για το περιβάλλον και την ανθρώπινη υγεία. Επικοινωνήστε με τον τεχνικό εγκατάστασης ή τις τοπικές αρχές για περισσότερες πληροφορίες.

Οι μπαταρίες πρέπει να αφαιρεθούν από το τηλεχειριστήριο και να απορριφθούν ξεχωριστά σύμφωνα με τη σχετική τοπική και εθνική νομοθεσία.



ΔΙΑΓΡΑΜΜΑ ΕΓΚΑΤΑΣΤΑΣΗΣ

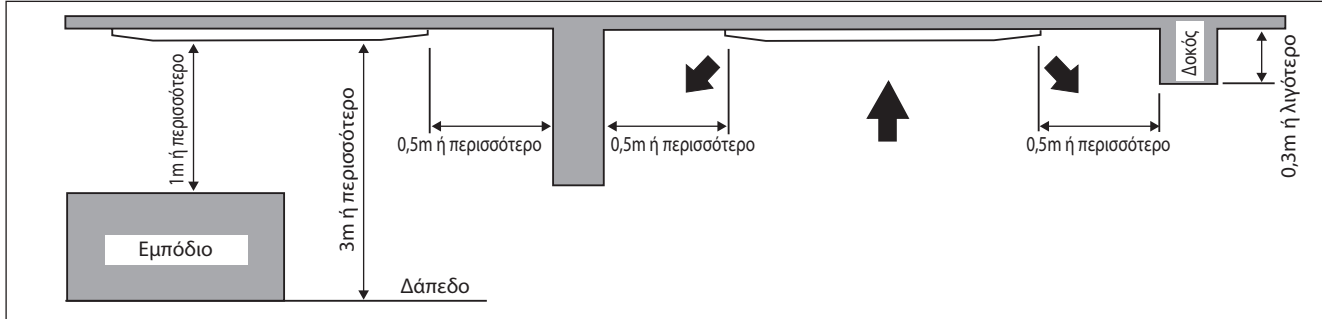


ΕΓΚΑΤΑΣΤΑΣΗ ΤΗΣ ΕΣΩΤΕΡΙΚΗΣ ΜΟΝΑΔΑΣ

Προκαταρκτική επισκόπηση της θέσης εγκατάστασης

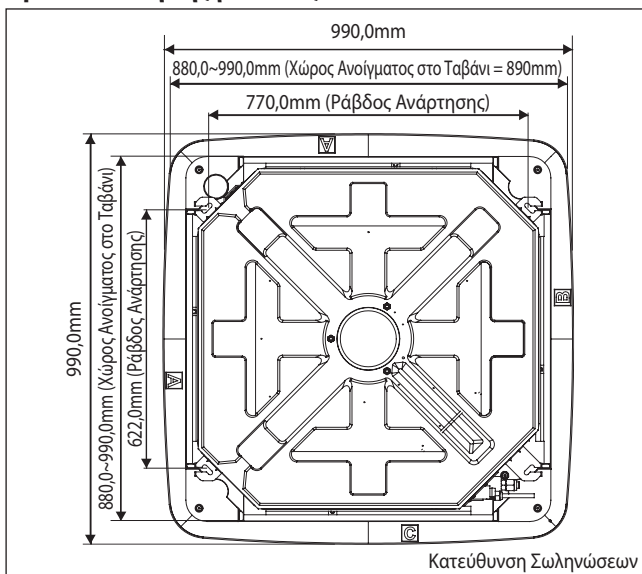
Διαβάστε το παρόν εγχειρίδιο πριν εγκαταστήσετε την εσωτερική μονάδα του κλιματιστικού.

- Η αυξομείωση της τάσης δεν πρέπει να υπερβαίνει το $\pm 10\%$ της ονομαστικής τάσης. Οι γραμμές ηλεκτρικής παροχής πρέπει να είναι ανεξάρτητες των μετασηματιστών συγκόλλησης που μπορεί να προκαλέσουν υψηλή αυξομείωση της παροχής.
- Βεβαιωθείτε ότι η θέση είναι κατάλληλη για τη καλωδίωση, τη σωλήνωση και την αποστράγγιση.
- Μην ασκείτε πίεση στα μέρη ρητίνης όταν ανοίγετε τη μονάδα ή όταν την κινείτε μετά το άνοιγμα.
- Μην μετακινείτε τη μονάδα από τη συσκευασία ενώ κινείται, μέχρι να φτάσει στον τόπο εγκατάστασης. Χρησιμοποιήστε ασφαλές υλικό ή προστατευτικές πλάκες όταν το βγάξετε από τη συσκευασία ή το σηκώνετε αποφεύγοντας τη ζημία ή τις γρατζουνιές στη μονάδα.



- Εξασφαλίστε ένα μέρος όπου:
 - a) Η αποστράγγιση μπορεί να γίνει εύκολα.
 - b) Κατάλληλο για καλώδια και σωλήνες.
 - c) Που έχει αρκετό χώρο για εγκατάσταση και επισκευαστική εργασία.
 - d) Όπου δεν υπάρχει κίνδυνος διαρροής εύφλεκτου αερίου.
 - e) Όπου δεν υπάρχουν εμπόδια στη διαδρομή εκροής ψυχρού αέρα και επιστροφής θερμού αέρα και πρέπει να επιτρέπεται η εξάπλωση του αέρα σε όλο το δωμάτιο (κοντά στο κέντρο του δωματίου).
 - f) Να παρέχετε χώρο μεταξύ της εσωτερικής μονάδας και του τοίχου και των εμποδίων όπως φαίνεται στο σχήμα.
 - g) Η θέση εγκατάστασης πρέπει να είναι αρκετά ανθεκτική ώστε να μπορεί να υποστηρίξει ένα φορτίο 4 φορές το βάρος της εσωτερικής μονάδας ώστε να αποφευχθεί η ενίσχυση του θορύβου και των κραδασμών.
 - h) Η θέση εγκατάστασης (επιφάνεια ανάρτησης από την οροφή) πρέπει να είναι σίγουρα επίπεδη και το ύψος στην οροφή 350mm ή περισσότερο.
 - i) Η εσωτερική μονάδα πρέπει να βρίσκεται μακριά από πηγές θερμότητας και ατμών (αποφύγετε την εγκατάστασή της κοντά σε είσοδο).

Εγκατάσταση της μονάδας

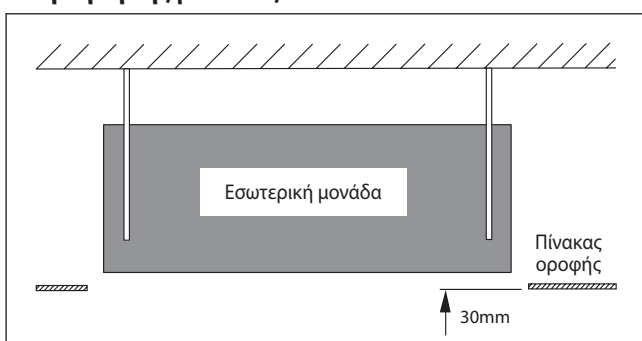


- Μετρήστε και σημειώστε τη θέση για τη ράβδο ανάρτησης. Κάντε την οπή για το γωνιακό περικόχλιο πάνω στην οροφή και στερεώστε τη ράβδο ανάρτησης.
- Η μήτρα εγκατάστασης εκτείνεται ανάλογα με τη θερμοκρασία και την υγρασία. Ελέγξτε τις διαστάσεις κατά τη χρήση.
- Οι διαστάσεις της μήτρας εγκατάστασης είναι οι ίδιες με εκείνες του ανοίγματος της οροφής.
- Πριν συμπληρωθούν οι εργασίες σφυρηλάτησης της οροφής, βεβαιωθείτε ότι έχετε εφαρμόσει τη μήτρα εγκατάστασης στην εσωτερική μονάδα.

ΣΗΜΕΙΩΣΗ

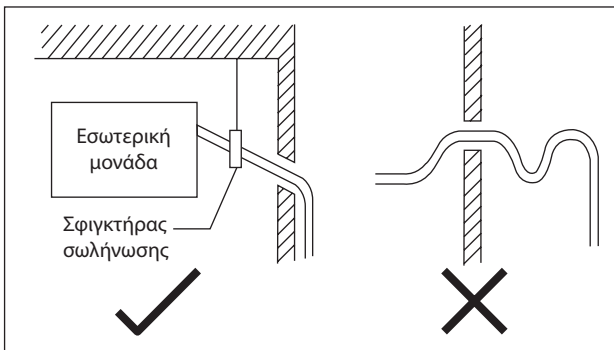
Φροντίστε να συζητήσετε τις εργασίες διάνοιξης οπών στην οροφή με τους αρμόδιους για την εγκατάσταση.

Ανάρτηση της μονάδας



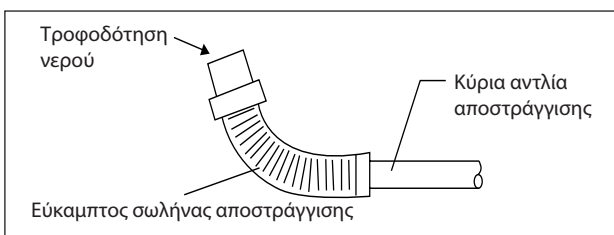
- Επιβεβαιώστε ότι η κλίση της ράβδου ανάρτησης είναι 770mm x 622mm ακριβώς.
- Κρατήστε τη μονάδα και κρεμάστε την πάνω στη ράβδο ανάρτησης με το περικόχλιο και τη ροδέλα.
- Ρυθμίστε το ύψος της μονάδας στα 30mm ανάμεσα στη κάτω επιφάνεια της εσωτερικής μονάδας και την επιφάνεια της οροφής.
- Ελέγξτε με ένα αλφάδι ότι η μονάδα έχει τοποθετηθεί οριζόντια και σφίξτε το περικόχλιο και το μπουλόνι ώστε να αποφευχθεί η πτώση της μονάδας και οι κραδασμοί.
- Ανοίξτε τον πίνακα οροφής κατά μήκος της εξωτερικής πλευράς της χάρτινης μήτρας εγκατάστασης.

Εργασίες αντλίας αποστράγγισης



- Ο σωλήνας αποστράγγισης πρέπει να έχει κατωφερή κλίση για ομαλή αποστράγγιση.
- Αποφύγετε την εγκατάσταση του σωλήνα αποστράγγισης σε ανωφερή και σε κατωφερή κλίση ώστε να αποφευχθεί τυχόν ανάστροφη ροή νερού.
- Κατά τη σύνδεση του σωλήνα αποστράγγισης, προσέξτε να μην ασκείται επιπλέον δύναμη στο σύνδεσμο αποστράγγισης στην εσωτερική μονάδα.
- Η εξωτερική διάμετρος της σύνδεσης αποστράγγισης του εύκαμπτου σωλήνα αποστράγγισης είναι 20mm.
- Βεβαιωθείτε ότι έχετε μονώσει θερμικά τη σωλήνωση αποστράγγισης (αφρός πολυαιθυλενίου πάχους μεγαλύτερου των 8,0mm) ώστε να αποφευχθεί η εισροή συμπυκνωμένου νερού στο δωμάτιο.

Έλεγχος αποστράγγισης



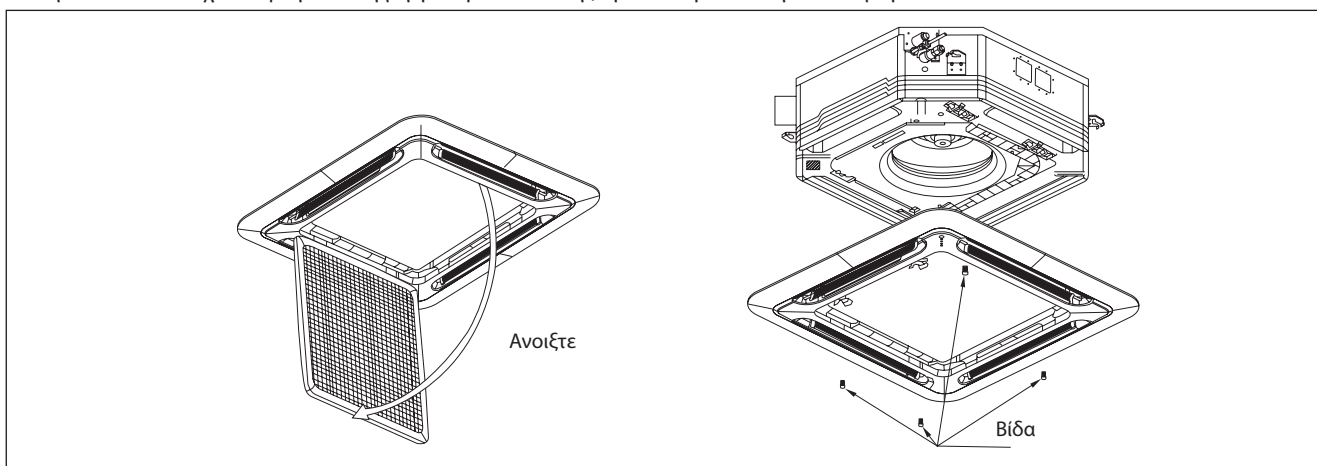
- Συνδέστε τον κύριο σωλήνα αποστράγγισης στον εύκαμπο σωλήνα αποστράγγισης.
- Τροφοδοτήστε νερό από τον εύκαμπο σωλήνα αποστράγγισης για να ελέγξετε τη σωλήνωση για τυχόν διαρροές.
- Όταν ολοκληρωθεί ο έλεγχος, συνδέστε τον εύκαμπο σωλήνα αποστράγγισης με το σύνδεσμο αποστράγγισης στην εσωτερική μονάδα.

ΣΗΜΕΙΩΣΗ

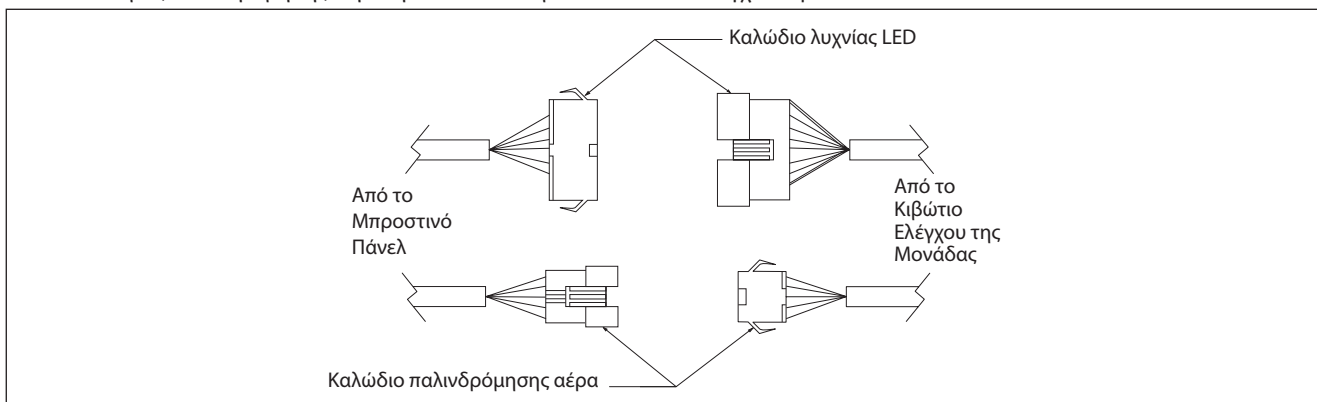
Αυτή η εσωτερική μονάδα χρησιμοποιεί μια αντλία αποστράγγισης για την αποστράγγιση του συμπυκνωμένου νερού. Εγκαταστήστε οριζόντια την μονάδα ώστε να αποφευχθεί τυχόν διαρροή ή συμπύκνωση νερού γύρω από την έξοδο του αέρα.

Εγκατάσταση του πάνελ

- Το μπροστινό πάνελ μπορεί να τοποθετηθεί μόνο κατά μία κατεύθυνση, ακολουθήστε την κατεύθυνση των σωληνώσεων. (Ακολουθήστε το αυτοκόλλητο βέλος των σωληνώσεων στο μπροστινό πάνελ)
- Βεβαιωθείτε ότι έχετε αφαιρέσει τη μήτρα εγκατάστασης προτού εγκαταστήσετε το μπροστινό πάνελ.

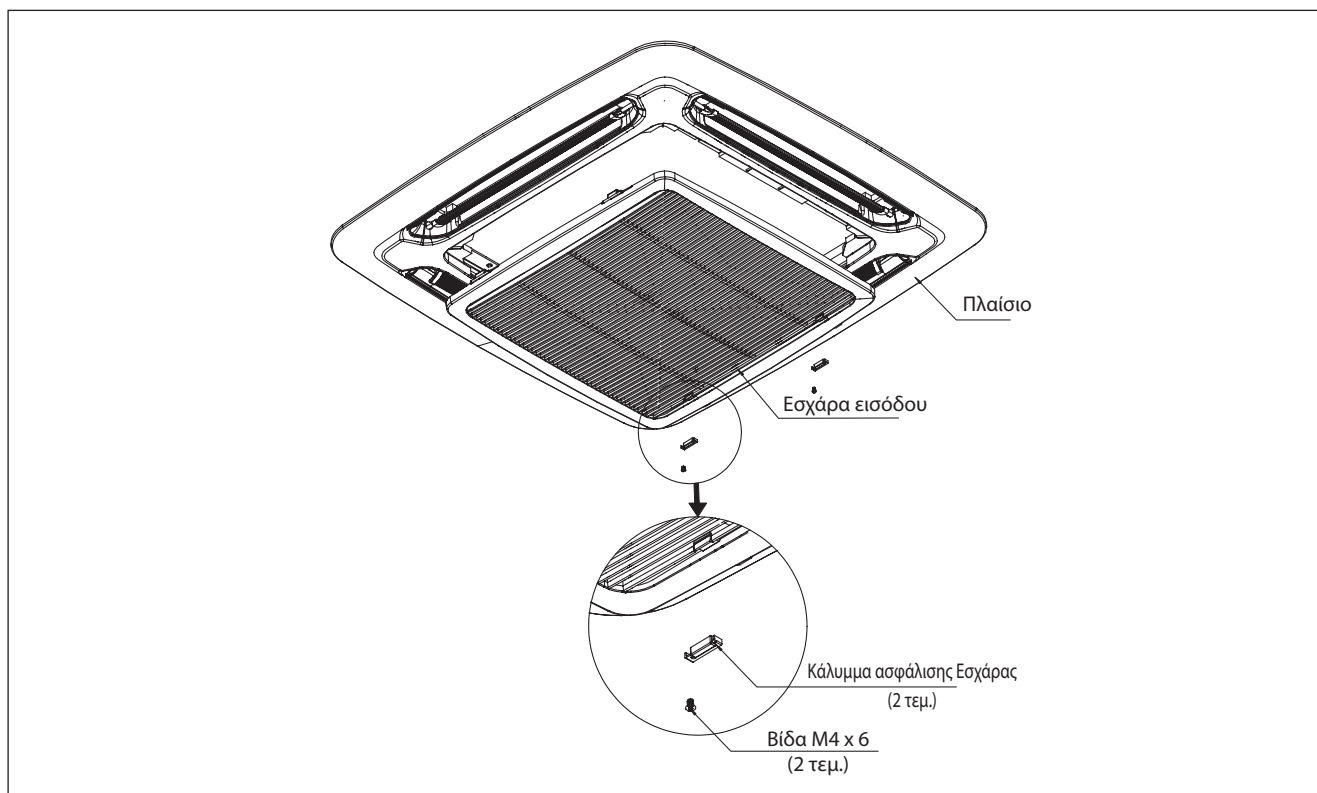


- Ανοίξτε τη γρίλια εισόδου του αέρα τραβώντας προς τα πίσω τα μάνδαλα και αφαιρέστε την μαζί με το φίλτρο από το πάνελ.
- Εγκαταστήστε το μπροστινό πλαισιωτό πάνελ πάνω στην εσωτερική μονάδα με 4 βίδες που πρέπει να σφίξετε καλά ώστε να αποφευχθεί τυχόν διαρροή ψυχρού αέρα.
- Συνδέστε το καλώδιο για τη λυχνία LED και το καλώδιο παλινδρόμησης του αέρα στην εσωτερική μονάδα.
- Ο σύνδεσμος παλινδρόμησης αέρα πρέπει να είναι μέσα στο κουτί ελέγχου αφού συνδεθεί.



Κάλυμμα ασφάλισης εσχάρας (Το προστατευτικό κινητών μερών σε περίπτωση άμεσης επαφής με τον χρήστη)

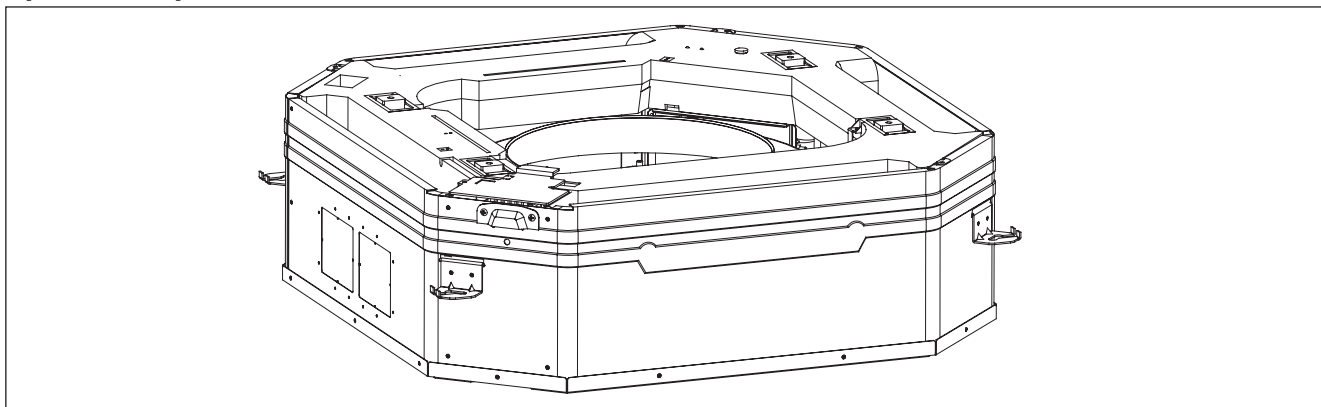
Το κάλυμμα ασφάλισης εσχάρας πρέπει να εγκατασταθεί σύμφωνα με την παρακάτω εικόνα.



Εάν η μονάδα απαιτεί συντήρηση, ακολουθήστε τα παρακάτω βήματα:

1. Βεβαιωθείτε ότι η μονάδα είναι απενεργοποιημένη πριν από τη συντήρηση.
2. Χρησιμοποιήστε ένα κατσαβίδι για να ξεβιδώσετε τη βίδα που βρίσκεται στο κάλυμμα ασφάλισης εσχάρας.
3. Αφαιρέστε το κάλυμμα ασφάλισης εσχάρας και ανοίξτε την εσχάρα εισόδου για να προβείτε στη συντήρηση.
4. Τοποθετήστε την εσχάρα εισόδου, βιδώστε το κάλυμμα ασφάλισης εσχάρας μετά από τη συντήρηση και βεβαιωθείτε ότι η μονάδα είναι σωστά τοποθετημένη.

Εγκατάσταση καλωδίων

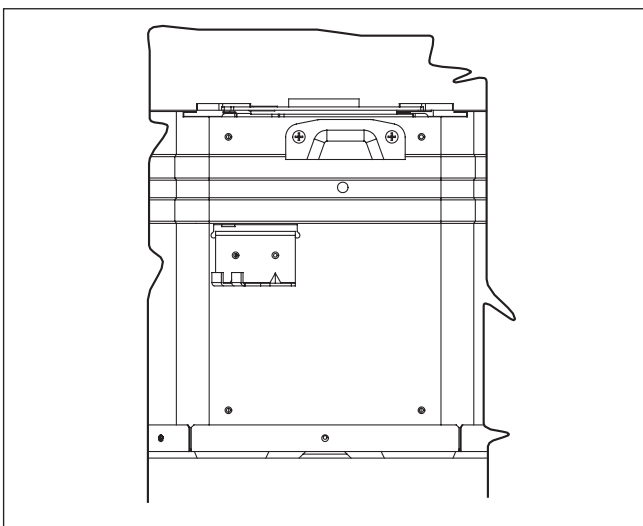


Εικόνα 1

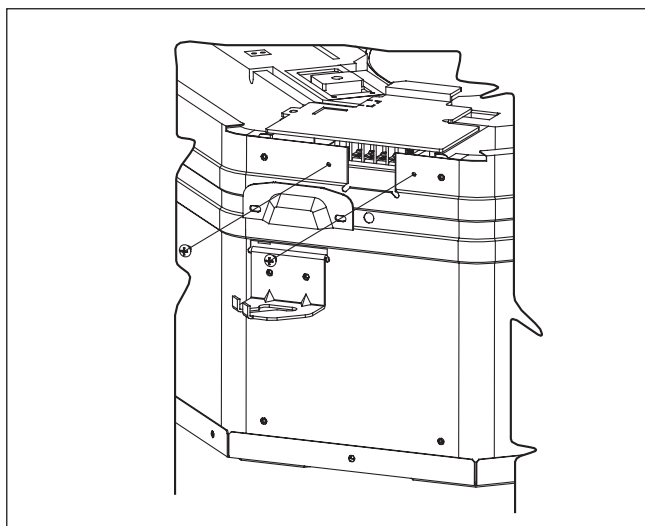
Η Εικόνα 1 και 2 δείχνουν τη θέση του καλωδίου καλύμματος μέσα στην εσωτερική μονάδα.

Βήματα για την εγκατάσταση των καλωδίων παρόχης ρεύματος και καλώδιο από την εξωτερική μονάδα.

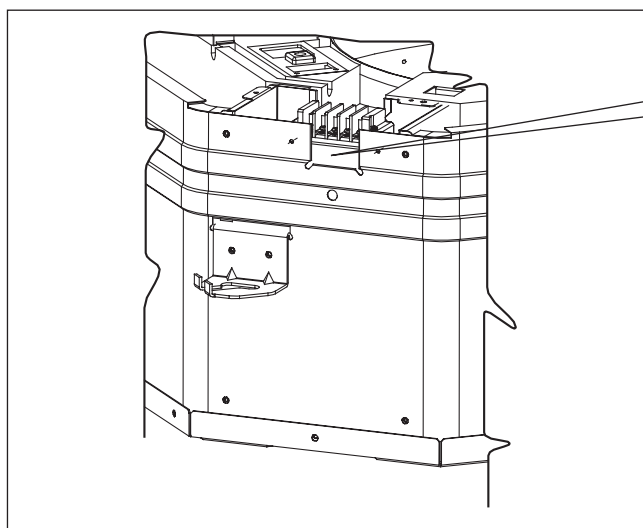
1. Αφαιρέστε το κάλυμμα καλωδίου αφαιρώντας 2 βίδες όπως δείχνει η Εικόνα 3.
2. Τα καλώδια θα περάσουν από την τρύπα όπως δείχνει η Εικόνα 4 και 5 αντίστοιχα χωρίς να διασταυρώνεται το ύψος της τρύπας.
3. Μετά απ' αυτό, το κάλυμμα καλωδίου θα συναρμολογηθεί ξανά για να κλείσει το καλώδιο.



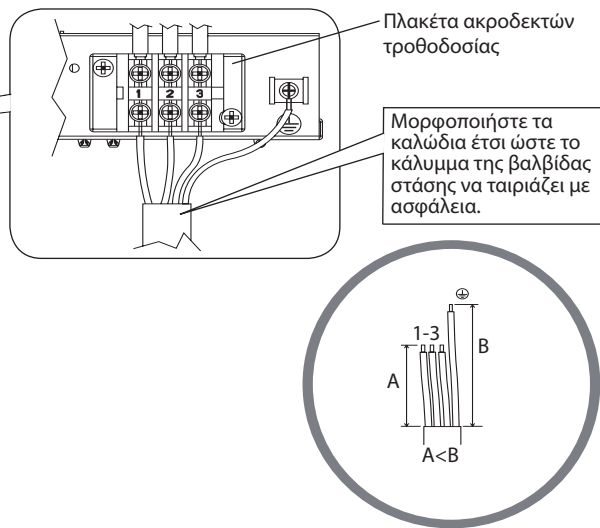
Εικόνα 2



Εικόνα 3



Εικόνα 4



Εικόνα 5

⚠ ΠΡΟΣΟΧΗ

Μην εγκαθιστάτε τη μονάδα σε υψόμετρο άνω των 2000μ τόσο σε εσωτερικό όσο και σε εξωτερικό χώρο

Εργασίες Σωληνώσεων και Τεχνική Εκκίνησης

- Μην χρησιμοποιείτε μολυσμένο ή κατεστραμμένο χάλκινο περίβλημα. Αν κάποιες σωληνώσεις, εξατμιστή ή συμπυκνωτή έχουν εκτεθεί ή ανοιχτεί για 15 δευτερόλεπτα ή παραπάνω, το σύστημα πρέπει να υποστεί κενό αέρος. Γενικώς, μην αφαιρείτε το πλαστικό, τα ελαστικά και τα μπρούντζινα παξιμάδια από τις βαλβίδες, τις σωληνώσεις και τα πηνία μέχρι να είναι έτοιμο να συνδέσει την αναρρόφηση ή τη γραμμή υγρού στις βαλβίδες ή τα εξαρτήματα.
- Αν απαιτείται συγκόλληση, σιγουρευτείτε ότι το νιτρογόνο αέριο περνά μέσα από πηνίο και συνδέσμους ενώ η συγκόλληση γίνεται. Αυτό θα εξαλείψει τη μορφοποίηση στο εσωτερικό των τοίχων των χάλκινων σωληνώσεων.
- Κόψτε το σωλήνα τμήμα-τμήμα, προχωρώντας τη λεπίδα του κοπτήρα του σωλήνα αργά. Ιδιαίτερη δύναμη και βαθύ κόψιμο θα προκαλέσει περισσότερη παραμόρφωση στο σωλήνα και συνεπώς έξτρα ρίνισμα. Βλέπε Εικόνα Α
- Αφαιρέστε τα ρινίσματα από τις άκρες κοπής των σωλήνων με διαλυτικό όπως δείχνει η Εικόνα Β. Έτσι θα αποφύγετε την ανομοιογένεια στη φλόγα που θα προκαλούσε διαρροή αερίου. Κρατήστε το σωλήνα προς τα επάνω και το αφαιρετικό ρινίσματος κάτω για να μην μπουν τα μεταλλικά κομμάτια στο σωλήνα.
- Εισάγετε τα παξιμάδια, που είναι τοποθετημένα στα μέρη σύνδεσης τόσο της εσωτερικής όσο και της εξωτερικής μονάδας, μέσα στους σωλήνες χαλκού.
- Το ακριβές μήκος του σωλήνα που προεξέχει από την άνω επιφάνεια του επιβολέα καθορίζεται από το εργαλείο φλόγας. Ανατρέξτε στην Εικόνα Γ.
- Διορθώστε το σωλήνα σταθερά στον επιβολέα. Ταιριάξτε τα κέντρα τόσο του κύβου φλόγας όσο και του έμβολου φλόγας και μετά σφίξτε τελείως το έμβολο φλόγας.

Σύνδεση Σωλήνων με τις Μονάδες

- Ευθυγραμμίστε το κέντρο του σωλήνα και σφίξτε ικανοποιητικά το παξιμάδι με τα δάχτυλα. Ανατρέξτε στην Εικόνα D.
- Τέλος, σφίξτε το παξιμάδι φλόγας με το γαλλικό κλειδί μέχρι να κάνει κλικ.
- Όταν σφίγγετε το παξιμάδι φλόγας με το γαλλικό κλειδί, σιγουρευτείτε ότι η κατεύθυνση σφίξης ακολουθεί το βέλος που δείχνει το κλειδί.
- Η σύνδεση του σωλήνα ψύξης είναι μονωμένη με πολυουρεθάνη.

Μέγεθος Σωλήνα (mm/Ίντσες)	Ροπή, Nm/(ft-lb)
6,35 (1/4")	18 (13,3")
9,52 (3/8")	42 (31,0")
12,70 (1/2")	55 (40,6")
15,88 (5/8")	65 (48,0")
19,05 (3/4")	78 (57,6")

Ø Σωλήνας, D		A (mm)	
Ίντσες	mm	Imperial (Τύπος Πεταλούδα)	Rigid (Τύπος Συμπλέκτη)
1/4"	6,35	1,3	0,7
3/8"	9,52	1,6	1,0
1/2"	12,70	1,9	1,3
5/8"	15,88	2,2	1,7
3/4"	19,05	2,5	2,0

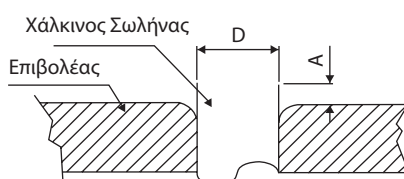
Εικόνα Α



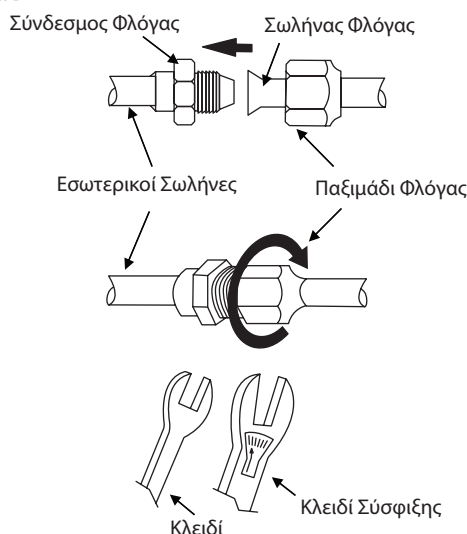
Εικόνα Β



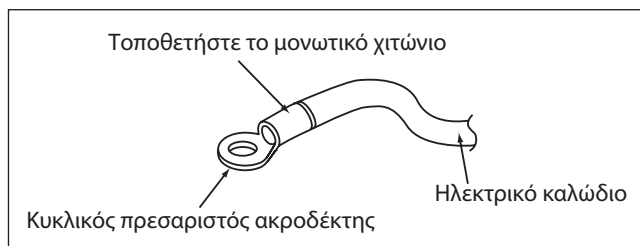
Εικόνα C



Εικόνα D



- Όλα τα καλώδια πρέπει να είναι σταθερά συνδεδεμένα.
- Φροντίστε τα καλώδια να μην έρθουν σε επαφή με τις σωληνώσεις ψυκτικού, το συμπιεστή ή οποιαδήποτε κινούμενα μέρη.
- Τα καλώδια σύνδεσης ανάμεσα στην εσωτερική και την εξωτερική μονάδα πρέπει να τοποθετηθούν σφικτά μέσα στην παρεχόμενη αγκύρωση καλωδίου.
- Το καλώδιο τροφοδοσίας πρέπει να είναι ισοδύναμο με το H07RN-F που αποτελεί την ελάχιστη απαίτηση.
- Φροντίστε να μην ασκείται εξωτερική πίεση στους συνδέσμους και τα καλώδια ακροδεκτών.
- Φροντίστε όλα τα καλύμματα να είναι σωστά στερεωμένα για την αποφυγή κενού.
- Χρησιμοποιήστε έναν ακροδέκτη με δακτυλιοειδείς σιαγόνες για τη σύνδεση των καλωδίων στην πλακέτα ακροδεκτών τροφοδοσίας. Συνδέστε τα καλώδια αντιστοιχώντας την ένδειξη στην πλακέτα ακροδεκτών. (Ανατρέξτε στο διάγραμμα συνδεσμολογίας που συνοδεύει τη μονάδα).



- Χρησιμοποιήστε το σωστό κατασβίδι για το σφίξιμο των βιδών των ακροδεκτών. Τα ακατάλληλα κατασβίδια ενδέχεται να προκαλέσουν βλάβη στην κεφαλή της βίδας.
- Το υπερβολικό σφίξιμο ενδέχεται να προκαλέσει βλάβη στις βίδες των ακροδεκτών.
- Μη συνδέετε καλώδια διαφορετικού διαμετρήματος στον ίδιο ακροδέκτη.
- Διατηρείτε την καλωδίωση τακτοποιημένη. Μην επιτρέπετε στην καλωδίωση να εμποδίζει άλλα μέρη και το κάλυμμα του κουτιού ακροδεκτών.



ΕΙΔΙΚΕΣ ΠΡΟΦΥΛΑΞΕΙΣ ΟΤΑΝ ΧΡΗΣΙΜΟΠΟΙΕΙΤΕ ΤΗ ΜΟΝΑΔΑ R410A

R410A είναι ένα νέο ψυκτικό HFC το οποίο δεν καταστρέφει το στρώμα του όζοντος. Η πίεση εργασίας αυτού του νέου ψυκτικού είναι 1,6 φορές υψηλότερη από το συμβατικό ψυκτικό (R22), έτσι η κανονική εγκατάσταση / επισκευή είναι σημαντική.

- Ποτέ μην χρησιμοποιείτε ψυκτικό άλλο από το R410A σ'ένα κλιματιστικό το οποίο σχεδιάστηκε για να λειτουργεί με R410A.
- Το έλαιο POE ή PVE χρησιμοποιείται σαν λιπαντικό για το συμπιεστή R410A, που είναι διαφορετικό από το μεταλλικό έλαιο που χρησιμοποιείται για το συμπιεστή R22. Κατά την εγκατάσταση ή το σέρβις, πρέπει να ληφθεί ιδιαίτερη προσοχή ώστε το σύστημα R410A να μην εκτεθεί σε υγρό αέρα για μεγάλο χρονικό διάστημα. Το υπολειμματικό έλαιο POE ή PVE στις σωληνώσεις και τα εξαρτήματα μπορεί να απορροφήσει υγρασία από τον αέρα.
- Για να μην αποφορτιστεί, η διάμετρος της θύρας επισκευής στη βαλβίδα φλόγας είναι διαφορετική από αυτή του R22.

- Χρησιμοποιήστε εργαλεία και υλικά αποκλειστικά για ψυκτικό R410A. Εργαλεία αποκλειστικά για R410A είναι οι πολλαπλοί μετρητές ελέγχου, ο σωλήνας φόρτωσης, η βαλβίδα πίεσης, ο ανιχνευτής διαρροής αερίου, τα εργαλεία φλόγας, το κλειδί σύσφιξης, η αντλία κενού και ο ψυκτικός κύλινδρος.
- Καθώς ένα R410A βγάζει υψηλότερη πίεση από τις μονάδες R22, είναι σημαντικό να διαλέξετε τους χάλκινους σωλήνες σωστά. Ποτέ μη χρησιμοποιείτε χάλκινους σωλήνες λεπτότερους από 0,8mm ακόμη κι αν διατίθενται στην αγορά.
- Αν προκύψει διαρροή αερίου κατά την εγκατάσταση / επισκευή, σιγουρευτείτε ότι αερίζεται καλά. Αν το ψυκτικό αέριο έρχεται σε επαφή με τη φωτιά, μπορεί να προκύψει δηλητηριώδες αέριο.
- Όταν εγκαθιστάτε ή αφαιρείτε ένα κλιματιστικό, μην αφήνετε τον αέρα ή την υγρασία να παραμείνουν στον ψυκτικό κύκλο.

ΕΚΚΕΝΩΣΗ ΚΑΙ ΠΛ'ΗΡΩΣΗ

Το κενό αέρος είναι απαραίτητο για να εξαλειφθεί όλη η υγρασία και ο αέρας από το σύστημα.

Σκουπίζοντας το Σωλήνα και την Εσωτερική Μονάδα

Η εσωτερική μονάδα και οι ψυκτικοί σωλήνες σύνδεσης πρέπει να είναι καθαρισμένοι με αέρα επειδή ο αέρας που περιέχει υγρασία η οποία μένει στον κύκλο ψύξης μπορεί να προκαλέσει δυσλειτουργία στο συμπυκνωτή.

- Αφαιρέστε τα καπάκια από τη βαλβίδα και τη θύρα επισκευής.
- Συνδέστε το κέντρο του μετρητή φόρτισης στην αντλία κενού.
- Συνδέστε το μετρητή φόρτισης με τη θύρα επισκευής της 3-οδης βαλβίδας.

- Ξεκινήστε την αντλία κενού. Εκκενώστε για περίπου 30 λεπτά. Ο χρόνος εκκένωσης ποικίλλει ανάλογα με την απόδοση της αντλίας κενού. Επιβεβαιώστε ότι η βελόνα του μετρητή φόρτισης κινήθηκε εμπρός -760mmHg.

Προσοχή

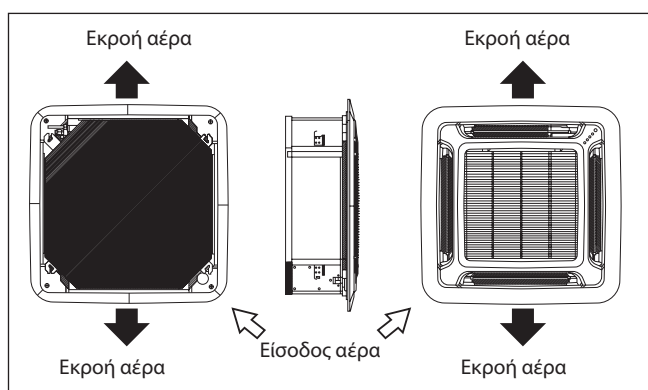
- Αν η βελόνα του μετρητή δεν κινηθεί προς -760mmHg, σιγουρευτείτε ότι ελέγξατε για διαρροές αερίου (χρησιμοποιώντας τον ανιχνευτή ψυκτικού) σε σύνδεση τύπου φλόγας της εσωτερικής και εξωτερικής μονάδας και επισκευάστε τη διαρροή πριν συνεχίσετε στο επόμενο βήμα.
- Κλείστε τη βαλβίδα του μετρητή φόρτισης σταματήστε την αντλία κενού.

ΕΞΑΡΤΗΜΑΤΑ

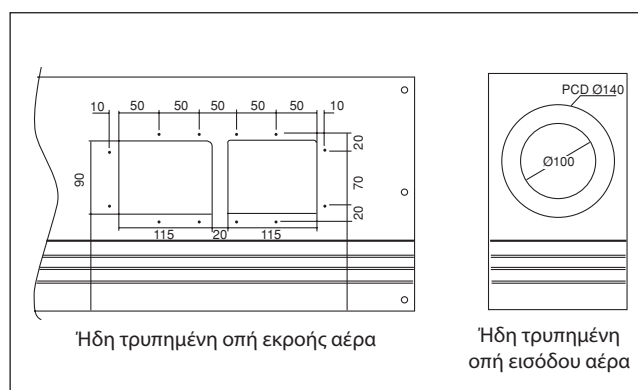
Προδιαγραφές κοντού αγωγού

- Η εσωτερική μονάδα διαθέτει ήδη τρυπημένη σπή εκροής αέρα και εισόδου αέρα για τη σύνδεση των αγωγών. Ωστόσο, η σύνδεση του κοντού αγωγού για την εκροή αέρα είναι δυνατή μόνο στη μια πλευρά.
- Η χρήση κοντού αγωγού για την εκροή αέρα θα βελτιώσει τη κατανομή της ροής του αέρα εφόσον υπάρχει εμπόδιο (όπως φωτιστικό) ή στη περίπτωση ενός μακρόστενου δωματίου ή ενός δωματίου σχήματος L. Χρησιμοποιείται επίσης για τον ταυτόχρονο κλιματισμό δύο δωματίων.

Πιθανή κατεύθυνση εκροής αέρα και εισόδου αέρα



Πιθανή διάσταση ανοίγματος για σύνδεση αγωγού



ΣΗΜΕΙΩΣΗ

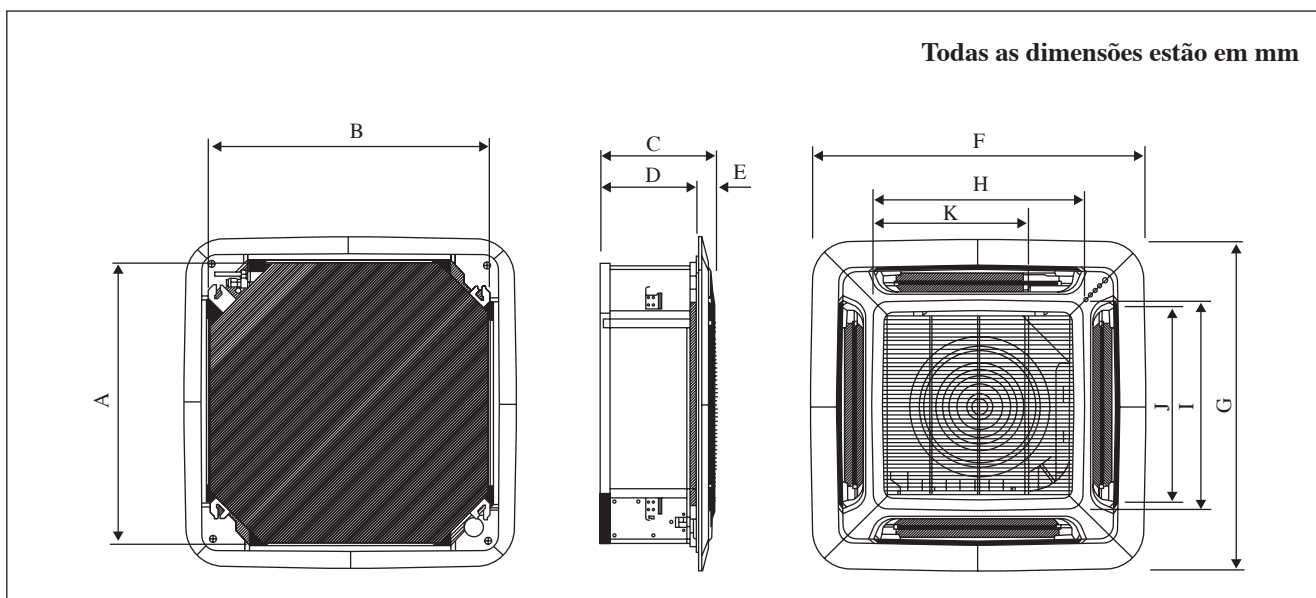
- Αποφύγετε τη χρήση του κοντού αγωγού στον οποίο η γρίλια εκροής αέρα μπορεί να κλείσει τελείως, για να αποφύγετε την ψύξη του εξαμιστήρα.
- Για να αποφύγετε το σχηματισμό συμπύκνωσης, βεβαιωθείτε ότι υπάρχει αρκετή θερμική μόνωση και δεν υπάρχει διαρροή ψυχρού αέρα όταν συνδέετε τον κοντό αγωγό.
- Κρατήστε την εισαγωγή καθαρού αέρα εντός του 20% της συνολικής ροής του αέρα. Επίσης παρέχετε θάλαμος και χρησιμοποιήστε ανεμιστήρα ενίσχυσης.

Στεγανοποιητικό υλικό

- Είναι δυνατή η στεγανοποίηση μιας από τις τέσσερις εξόδους εκροής αέρα. (η στεγανοποίηση δύο ή περισσότερων εξόδων εκροής αέρα μπορεί να προκαλέσει δυσλειτουργία)
- Αφαιρέστε το μπροστινό πάνελ και εισαγάγετε το υλικό στεγανοποίησης μέσα στην έξοδο εκροής αέρα στην εσωτερική μονάδα για να στεγανοποιήσετε την έξοδο αέρα.
- Το υλικό στεγανοποίησης έχει το ίδιο μήκος με τη μακρύτερη έξοδο εκροής αέρα. Εφόσον είναι επιθυμητή η στεγανοποίηση της κοντύτερης εξόδου εκροής αέρα, κόψτε το υλικό στεγανοποίησης για να το κοντύνετε.
- Σπρώξτε το υλικό στεγανοποίησης κατά 10 mm πέρα από την επιφάνεια του πυθμένα της εσωτερικής μονάδας έτσι ώστε να μην αγγίζει τη περσίδα του αέρα. Προσέξτε να μη σπρώξετε το υλικό στεγανοποίησης περισσότερο από 10mm.

ESBOÇO E DIMENSÕES

Unidade interior ACQ 71 / 100 / 125 BV1



Modelo	Dimensões										
	A	B	C	D	E	F	G	H	I	J	K
ACQ 71 BV1	820	820	340	300	40	990	990	627	627	607	430
ACQ 100 BV1 / ACQ 125 BV1	820	820	375	335	40	990	990	627	627	607	430

MANUAL DE INSTALAÇÃO

Este manual fornece os procedimentos de instalação para assegurar um bom padrão de funcionamento e seguro para a unidade de ar condicionado.

Pode ser necessário um ajuste especial para adaptação aos requisitos locais.

Antes de utilizar o seu ar condicionado, por favor leia este manual de instruções cuidadosamente e guarde-o para futura referência.

Este aparelho é destinado ao uso por perito ou usuários treinados em lojas, nas indústrias leves e em fazendas agrícolas, ou para uso comercial por leigos.

Este aparelho não se destina a utilização por pessoas (incluindo crianças) com limitações das capacidades físicas, sensoriais ou mentais, ou com falta de experiência ou de conhecimentos, salvo se sob supervisão ou formação adequadas relativamente à utilização do aparelho, facultadas por alguém responsável pela segurança dessas pessoas.

As crianças devem ser supervisionadas, para que não haja possibilidade de brincarem com o aparelho.





PRECAUÇÕES DE SEGURANÇA

AVISO

- A instalação e manutenção deve ser executada por pessoas qualificadas que estejam familiarizadas com o código local e regulamento, e tenham experiência com este tipo de aparelhos.
- Todas as ligações devem ser feitas de acordo com o regulamento nacional para ligações eléctricas.
- Assegure-se que a voltagem nominal da unidade corresponde à que consta no nome da placa iniciando o trabalho eléctrico de acordo com o diagrama de ligação eléctrica.
- A unidade deve ter LIGAÇÃO TERRA para evitar possíveis perigos devidos a falha de isolamento.
- Todas as ligações eléctricas não devem tocar na tubagem de refrigeração, nem em qualquer das partes em movimento dos motores da ventoinha.
- Confirme que a unidade foi DESLIGADA antes de ser instalada ou fazer a manutenção.
- Desligue da principal fonte de energia antes de fazer manutenção à unidade de ar condicionado.
- NÃO puxe o cabo de energia quando a energia estiver LIGADA. Isto pode provocar graves choques eléctricos que podem resultar em perigosos incêndios.
- Mantenha as unidades interior e exterior, cabo de energia e ligações de transmissão, afastadas pelo menos 1m de TVs e rádios, para evitar imagens distorcidas e estática. {Dependendo do tipo e fonte das ondas eléctricas, a estática pode ser escutada mesmo a mais de 1m de distância}.

CUIDADO

Por favor tome nota dos seguintes pontos importantes ao instalar.

- **Não instale a unidade onde possa ocorrer fuga de gás inflamável.**
 -  Em caso de fuga de gás e este se acumular à volta da unidade, pode provocar incêndio.
- **Certifique-se que a tubagem de drenagem está adequadamente ligada.**
 -  Se a tubagem de drenagem não estiver ligada correctamente, pode provocar fuga de água que irá molhar a mobília.
- **Não sobrecarregar a unidade.**
 -  Esta unidade é precarregada de fábrica.
 - A sobrecarga causará uma sobrecorrente ou danos no compressor.
- **Assegure-se que o painel da unidade está fechado após a manutenção ou instalação.**
 -  Painéis inseguros causarão ruído no funcionamento da unidade.
- **Cantos afiados e as superfícies da bobina são locais potenciais que podem provocar o perigo de lesões.**
- **Evite entrar em contacto com estes locais.**
- **Antes de desligar a fonte de energia, defina o interruptor LIGAR/DESLIGAR do controlo remoto para a posição "DESLIGADO" para evitar o disparo perturbador da unidade.** Se isto não for feito, as ventoinhas da unidade poderão iniciar automaticamente quando a energia for reiniciada, colocando em perigo o pessoal de serviço ou o utilizador.
- **Não coloque em funcionamento nenhum aparelho de aquecimento demasiado perto da unidade de ar condicionado.** Isto pode originar a deformação do painel de plástico devido ao calor excessivo.
- **Não instale a unidade na porta ou perto da mesma.**
- **Não coloque a funcionar nenhum aparelho de calor demasiado perto da unidade de Ar Condicionado nem a coloque numa divisão onde existam óleos minerais, fumos de óleo ou vapores de óleo, tal poderá levar a que as partes de plástico se derretam ou se deformem resultado do calor excessivo ou de reacção química.**
- **Quando a unidade for utilizada numa cozinha, mantenha a farinha afastada para que não entre para o dispositivo de sucção.**
- **Esta unidade não é apropriada para utilização em fábricas onde exista vapor de óleo ou pó de ferro ou onde se verifique grandes variações de voltagem.**
- **Não instale a unidade em áreas tais como fontes termais ou refinarias de óleo onde possa existir gás sulfídrico.**
- **Certifique-se de que a cor dos fios da unidade exterior e as marcas dos terminais correspondem às da unidade interior, respectivamente.**
- **IMPORTANTE: NÃO INSTALE OU USE A UNIDADE DE AR CONDICIONADO NUMA LAVANDARIA.**
- **Não utilize fios juntos e torcidos para a entrada da fonte de energia.**
- **Evite contacto directo de quaisquer agentes de limpeza para tratamento da bobina nas peças de plástico.** Isto pode originar a deformação das peças de plástico devido a uma reacção química.
- **Para quaisquer questões sobre peças sobresselentes, por favor contacte o seu fornecedor autorizado.**
- **O equipamento não se destina a ser utilizado numa atmosfera potencialmente explosiva.**

AVISO

Requisitos de Eliminação

O seu produto de ar condicionado encontra-se assinalado com este símbolo. Isto significa que os produtos eléctricos e electrónicos não serão misturados com resíduos domésticos comuns.

Não tente desmontar o sistema sozinho. A tarefa de desmontar o sistema de ar condicionado, tratamento do refrigerante, do óleo e das demais peças deve ser efectuado por um técnico de instalação devidamente qualificado de acordo com a legislação local e nacional relevante.

As unidades de ar condicionado devem ser tratadas numa instalação de tratamento especializada para reutilização, reciclagem e recuperação. Ao assegurar que este produto é eliminado correctamente, ajudará a prevenir quaisquer potenciais consequências negativas para o ambiente e a saúde humana. Contacte o técnico de instalação ou as autoridades locais para obter mais informações.

Retire as pilhas do controlo remoto e elimine-as separadamente de acordo com a legislação local e nacional relevante.

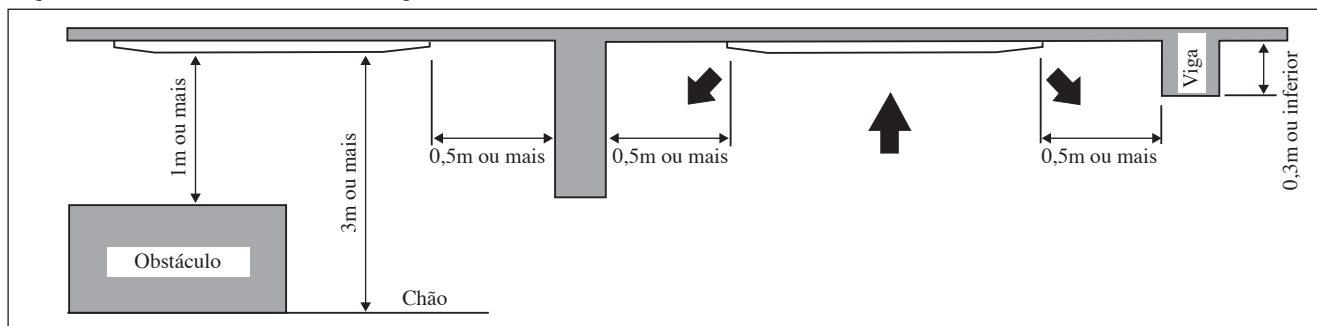


INSTALAÇÃO DA UNIDADE INTERIOR

Inspeção preliminar do local

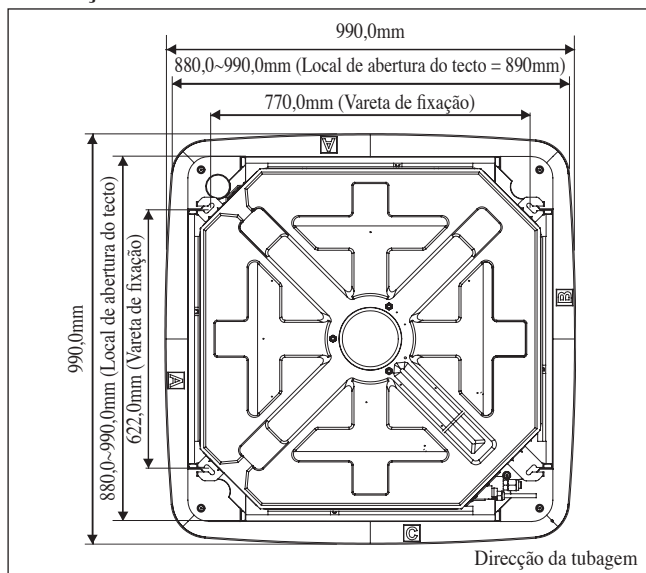
Certifique-se de que lê este manual antes de instalar a unidade interior de ar condicionado.

- A flutuação da voltagem fornecida não deve exceder $\pm 10\%$ da voltagem nominal. As linhas de fornecimento de electricidade devem ser independentes dos transformadores de soldagem que podem originar um elevado grau de flutuação no fornecimento.
- Certifique-se de que a localização é conveniente para a cablagem, tubagem e drenagem.
- Não exerça pressão sobre as peças de resina quando abrir a unidade ou quando a mover depois de a abrir.
- Não retire a unidade da caixa enquanto a move, até chegar ao local onde a vai instalar. Utilize material ou placas de protecção seguros quando a retirar da caixa ou a levantar para evitar danos ou arranhões na unidade.



- Assegurar um local onde:
 - a) A drenagem possa ser feita facilmente.
 - b) Seja conveniente para a cablagem e tubagem.
 - c) Haja espaço suficiente para os trabalhos de instalação e manutenção.
 - d) Não haja nenhum risco de fuga de gás inflamável.
 - e) Quando livre de quaisquer obstáculos no caminho da descarga de ar fresco e retorno de ar quente, deve permitir a disseminação do ar pela divisão (perto do centro da divisão).
 - f) Deve ser disponibilizada uma distância de folga entre a unidade interior e a parede e quaisquer obstáculos conforme apresentado na figura abaixo.
 - g) O local de instalação deve ser suficientemente forte para suportar uma carga 4 vezes superior ao peso da unidade interior com vista a evitar a amplificação de quaisquer ruídos e vibrações.
 - h) O local de instalação (superfície do tecto de fixação) deve assegurar a nivelção e a altura do tecto deve ser de 350mm ou mais.
 - i) A unidade interior deve estar afastada de fontes de calor e vapor (evite instalar a unidade perto de uma entrada).

Instalação da unidade

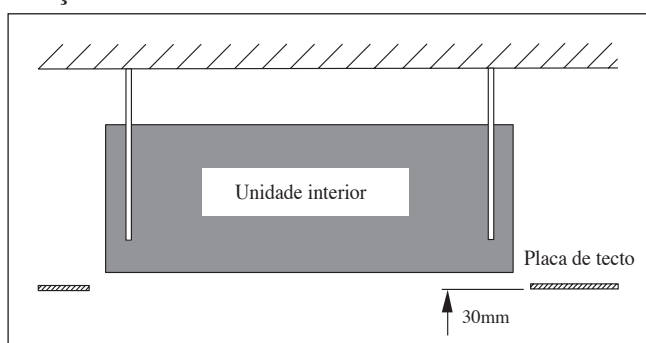


- Meça e assinale a posição da vareta de fixação. Faça o buraco para a porca angulada no tecto e fixe a vareta de fixação.
- O modelo de instalação é prolongado de acordo com a temperatura e humidade. Verifique as dimensões durante o uso.
- As dimensões do modelo de instalação são iguais às dimensões da abertura no tecto.
- Não se esqueça de instalar o modelo de instalação na unidade interior antes de concluir o trabalho de laminação do tecto.

NOTA

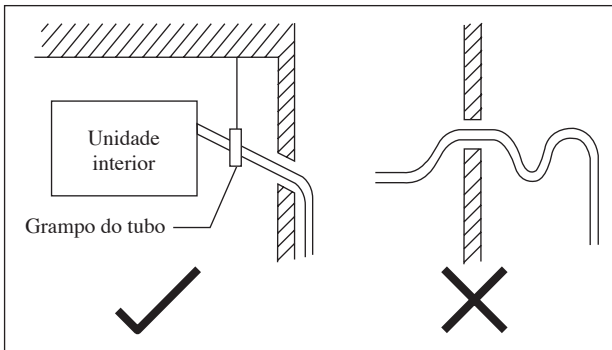
Certifique-se de que discute o trabalho de furação do tecto com o técnico de instalação contratado.

Fixação da unidade



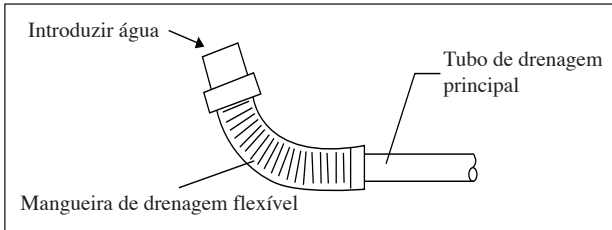
- Confirme que o ângulo de penetração da vareta de fixação tem 770mm x 622mm exactamente.
- Segure a unidade e pendure-a na vareta de fixação usando a porca e anilha.
- Ajuste a altura da unidade para 30mm entre a superfície inferior da unidade interior e a superfície do tecto.
- Utilizando um calibrador nivelado, certifique-se de que a unidade se encontra instalada na horizontal e aperte a porca e parafuso para impedir a sua queda e vibração.
- Abra a placa do tecto ao longo do rebordo exterior do modelo de instalação de papel.

Trabalho da bomba de drenagem



- O tubo de drenagem deve ser instalado num gradiente descendente com vista a uma drenagem suave.
- Evite instalar o tubo de drenagem num declive para cima e baixo com vista a impedir o fluxo inverso de água.
- Durante a ligação do tubo de drenagem, tenha cuidado para não exercer tensão extra sobre o conector de drenagem na unidade interior.
- O diâmetro exterior da ligação de drenagem na mangueira flexível de drenagem é de 20mm.
- Instale o isolamento térmico (espuma de polietileno com uma espessura superior a 8,0mm) na tubagem de drenagem para impedir o gotejamento de água condensada no interior da divisão.

Teste de drenagem



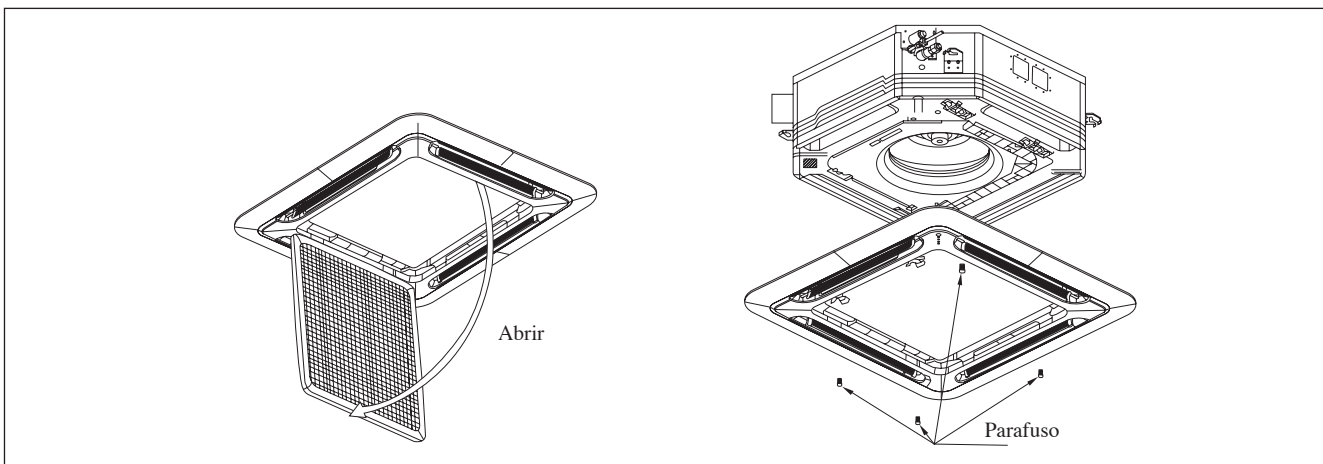
- Ligue o tubo de drenagem principal à drenagem principal.
- Introduza água na mangueira flexível de drenagem para verificar se existem fugas na tubagem.
- Quando completar o teste, ligue a mangueira flexível de drenagem ao conector de drenagem na unidade interior.

Nota

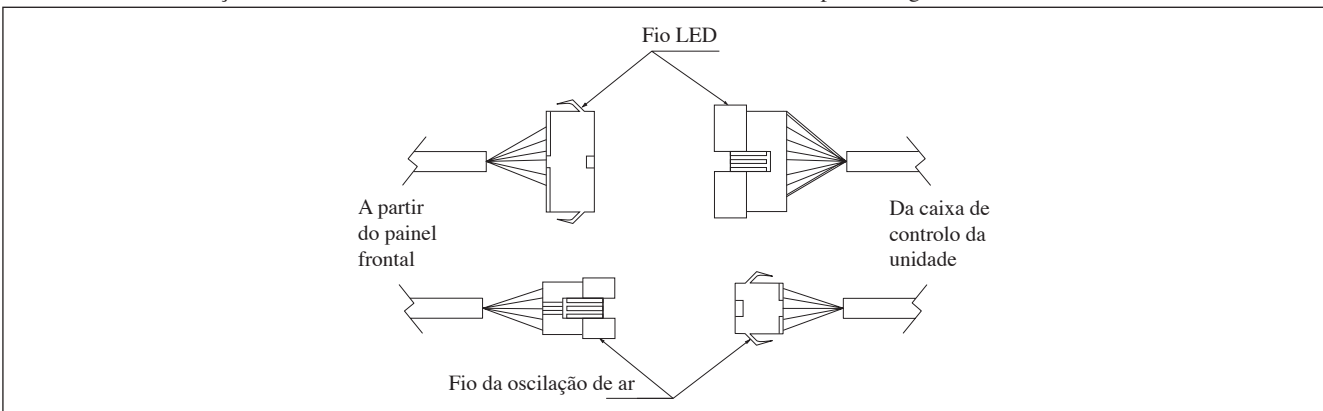
Esta unidade interior usa uma bomba de drenagem para drenar a água condensada. Instale a unidade horizontalmente para prevenir a ocorrência de fugas de água ou a formação de condensação em torno da saída de água.

Instalação do painel

- O painel frontal só pode ser encaixado numa direcção, seguindo a direcção da tubagem. (Siga a etiqueta adesiva com a seta da tubagem no painel frontal)
- Não se esqueça de remover o modelo de instalação antes de instalar o painel frontal.

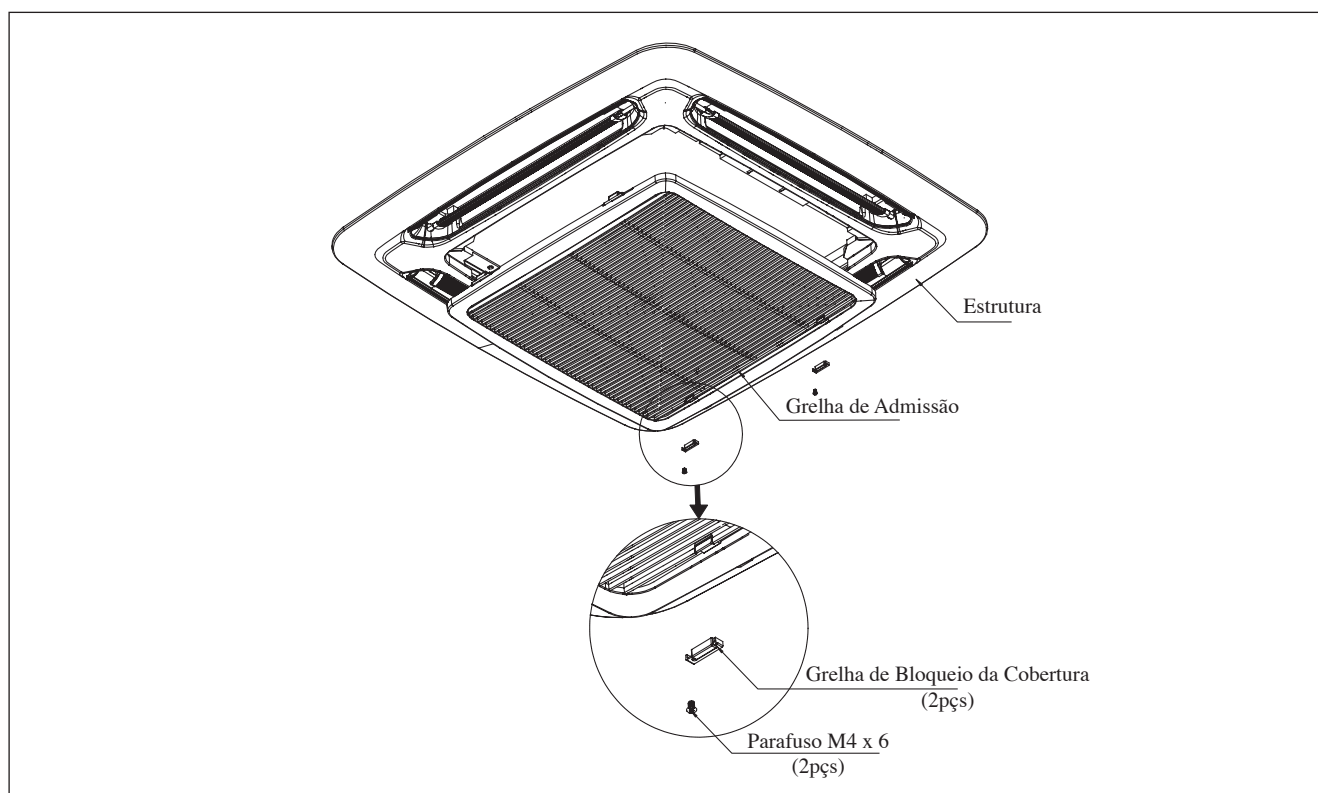


- Abra a grelha de entrada de ar puxando as patilhas de pressão para trás e removendo-a do painel juntamente com o filtro.
- Instale o mesmo painel de moldura frontal na unidade interior, apertando os seus 4 parafusos completamente para impedir a fuga de ar fresco.
- Ligue o fio LED e fio da oscilação de ar à unidade interior.
- O conector de rotação do ar deve ser colocado no interior da caixa de controlo depois de ligado.



Grelha de Bloqueio de Cobertura (A protecção de peça amovível para toque directo do utilizador)

A grelha de bloqueio de cobertura deve instalar-se conforme a imagem abaixo.



Se a unidade necessitar de manutenção, devem seguir-se os passos abaixo:

1. Confirme que a unidade foi desligada antes de fazer a manutenção.
2. Utilize uma chave de parafusos para desbloquear o parafuso na grelha de bloqueio de cobertura.
3. Retire a grelha de bloqueio de cobertura e abra a grelha de admissão para fazer a manutenção.
4. Instale a grelha de manutenção e aparafuse a grelha de bloqueio de cobertura após a manutenção e certifique-se que a unidade está devidamente instalada.

Instalação da cablagem

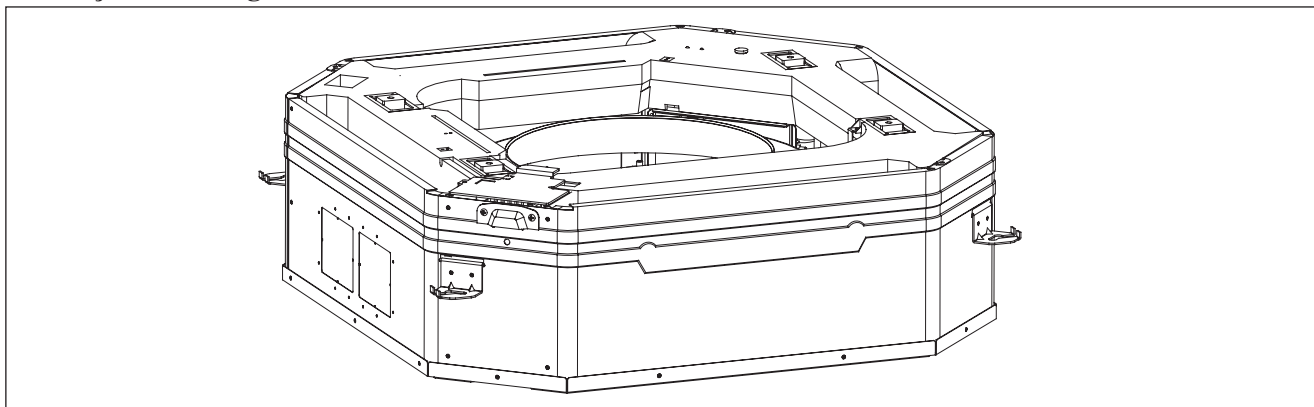


Figura 1

A Figura 1 e Figura 2 mostram o local da cablagem da cobertura na unidade interior.

Passos para instalar a cablagem da fonte de alimentação e a cablagem da unidade exterior.

1. Retire a cobertura da cablagem desaparafusando os 2 parafusos conforme apresentado na Figura 3.
2. A cablagem passará pelo orifício conforme apresentado nas Figuras 4 e 5 respectivamente sem atravessar a altura do orifício.
3. Depois disso, a cobertura da cablagem será montada de novo para fechar a cablagem.

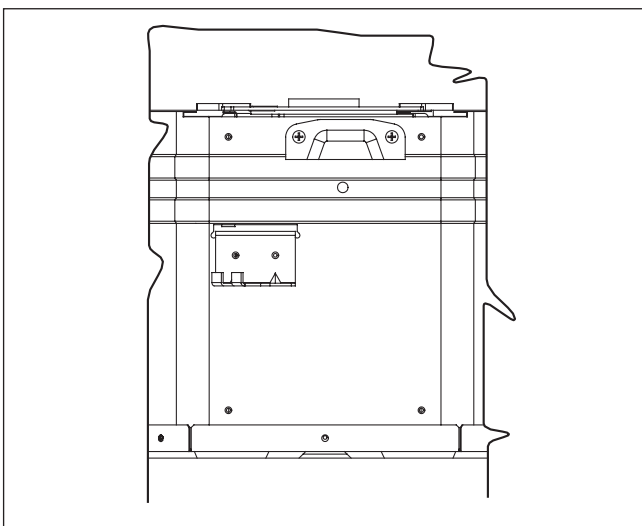


Figura 2

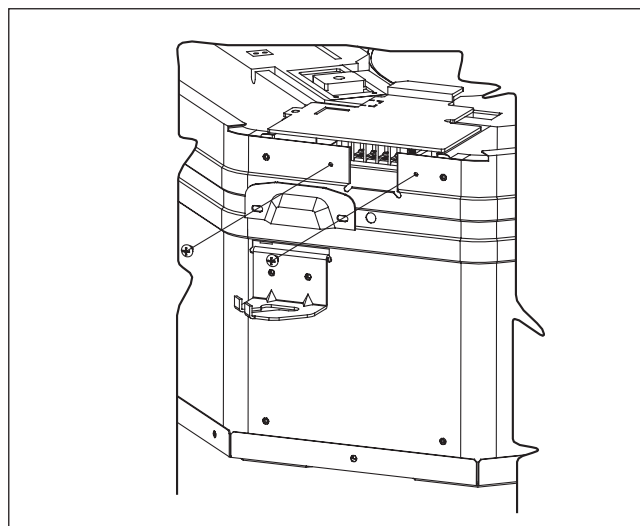


Figura 3

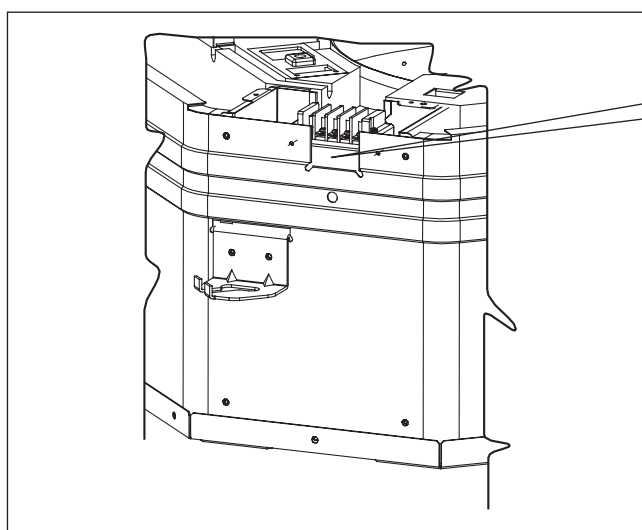


Figura 4

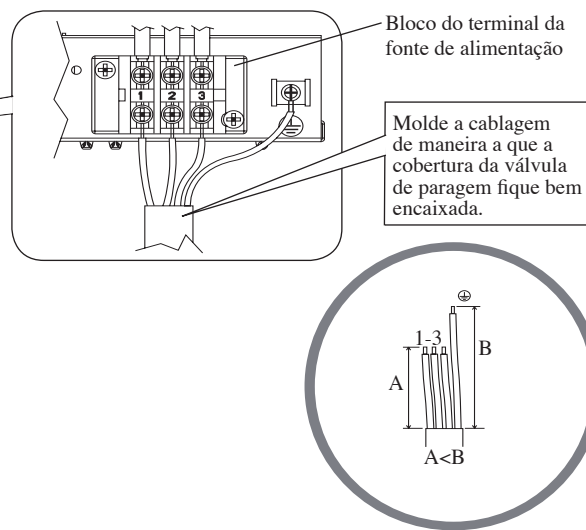


Figura 5

⚠ CUIDADO

Não instale a unidade numa altitude superior a 2000m no interior bem como no exterior.

Trabalhos da tubagem e técnica de alargamento

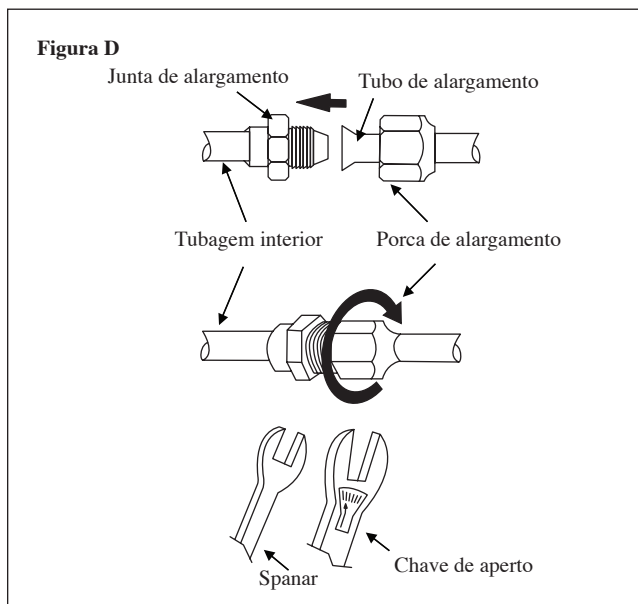
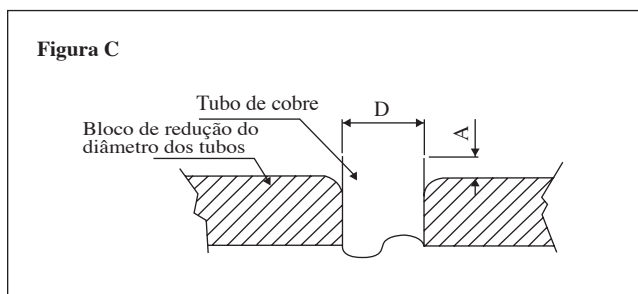
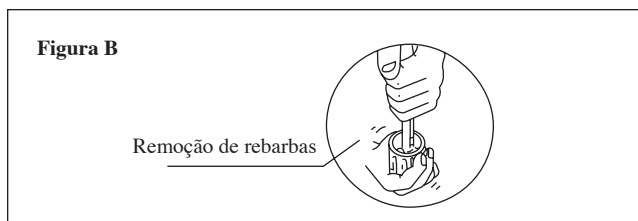
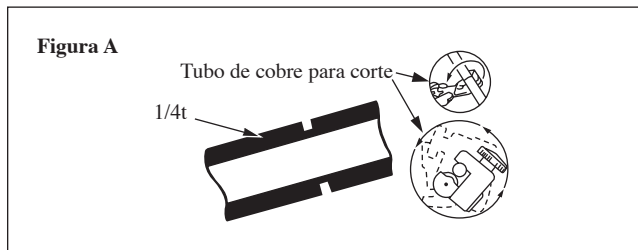
- Não utilizar tubagem de cobre contaminada ou danificada. Se qualquer um dos tubos, evaporador ou condensador foi exposto ou aberto durante 15 segundos ou mais, o sistema deve ser aspirado. De uma maneira geral, não retire as porcas de plástico, buchas de borracha e porcas de metal das válvulas, encaixes, tubos e bobinas até estar preparado para ligar a linha de sucção ou líquida às válvulas ou aos encaixes.
- Se for necessário algum trabalho de soldadura forte, assegure-se de que o gás de nitrogénio passou através da bobina e das juntas enquanto o trabalho de soldadura forte estiver a ser feito. Isto eliminará a formação de fuligem nas paredes do interior dos tubos de cobre.
- Corte o tubo de um modo faseado, avançando devagar com a lâmina da ferramenta de corte de tubos. A força excessiva e o corte profundo causarão mais distorção no tubo e também mais bordas com rebarbas. Ver Figura A.
- Remova as bordas com rebarbas das margens que sofreram o corte dos tubos com a ferramenta de remoção conforme apresentado na Figura B. Isto evitará a desnivelação das faces do alargamento que causará fuga de gás. Segure pelo tubo na posição superior e na ferramenta de remoção de rebarbas na posição inferior para evitar que lascas de metal entrem no tubo.
- Insira as porcas do alargamento, montadas nas peças de ligação das unidades interior e exterior, na tubagem de cobre.
- O comprimento exacto da protrusão da tubagem desde a superfície superior do bloco de redução do diâmetro dos tubos é determinado pela ferramenta de alargamento. Consultar a Figura C.
- Encaixe o tubo com força no bloco de redução do diâmetro dos tubos. Faça corresponder os centros da matriz do alargamento e do corte do alargamento, e depois aperte este totalmente.

Ligação da tubagem às unidades

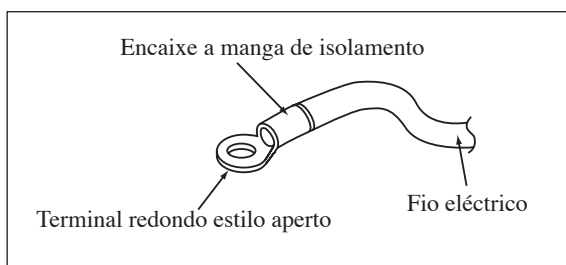
- Alinhe o centro da tubagem e aperte a porca do alargamento o bastante com os dedos. Consultar a Figura D.
- No fim, aperte a porca do alargamento com a chave de aperto até ficar fixada.
- Quando apertar a porca de alargamento com a chave de aperto, assegure-se de que a direcção de aperto segue a seta indicada na chave.
- A ligação do tubo do refrigerante é isolada por uma célula em poliuretano fechada.

Tamanho do tubo (mm/pol)	Aperto, Nm/(pés-lb)
6,35 (1/4")	18 (13,3")
9,52 (3/8")	42 (31,0")
12,70 (1/2")	55 (40,6")
15,88 (5/8")	65 (48,0")
19,05 (3/4")	78 (57,6")

Ø Tubo, D		A (mm)	
Pol.	mm	Imperial (Tipo porca borboleta)	Rígido (Tipo dentado)
1/4"	6,35	1,3	0,7
3/8"	9,52	1,6	1,0
1/2"	12,70	1,9	1,3
5/8"	15,88	2,2	1,7
3/4"	19,05	2,5	2,0



- Todos os fios devem estar firmemente ligados.
- Certifique-se de que nenhum dos fios não toca nas tubagens de refrigerante, compressor ou quaisquer peças móveis.
- O fio de ligação entre a unidade interior e a unidade exterior devem ser grampeadas utilizando o dispositivo de ancoragem do cabo fornecido.
- O cabo de alimentação deve ser equivalente a H07RN-F, que é o requisito mínimo.
- Certifique-se de que não é aplicada nenhuma pressão externa sobre os conectores dos terminais e fios.
- Certifique-se de que todas as coberturas estão devidamente fixadas para evitar qualquer folga.
- Use um terminal redondo de estilo de engaste para ligar os fios de ligação ao bloco de terminais de fornecimento. Ligue os fios estabelecendo a correspondência com a indicação no bloco de terminais. (Consulte o diagrama de cablagem encaixado na unidade).



- Use a chave de fendas correcta para apertar os parafusos do bloco de terminais. O uso de chaves de parafusos inadequadas pode danificar a cabeça do parafuso.
- O aperto excessivo pode danificar o parafuso do terminal.
- Não ligue o fio de calibre diferente ao mesmo terminal.
- Mantenha a cablagem devidamente ordenada. Impeça a cablagem de obstruir outras peças e a tampa da caixa do bloco de terminais.



PRECAUÇÕES ESPECIAIS QUANDO LIDAR COM A UNIDADE R410A

O R410A é um novo refrigerante HFC que não provoca danos na camada de ozono. A pressão de trabalho deste novo refrigerante é 1,6 vezes maior que o refrigerante convencional (R22), por isso é essencial uma instalação / manutenção correctas.

- Nunca utilize outro refrigerante sem ser o R410A num sistema de ar condicionado que foi concebido para trabalhar com o R410A.
- O óleo POE ou PVE como lubrificante para o compressor R410A, que é diferente do óleo mineral usado para o compressor R22. Durante a instalação ou manutenção deve ter precauções extra para não expor o sistema R410A demasiado tempo ao ar húmido. Óleo POE ou PVE residual na tubagem e componentes pode absorver humidade do ar.
- Para evitar uma descarga incorrecta, o diâmetro da porta de manutenção na válvula de alargamento é diferente do R22.
- Utilize ferramentas e materiais exclusivos para o refrigerante R410A. As ferramentas exclusivas para o R410A são a válvula de distribuição, a mangueira de descarga, o manómetro, o detector de fugas de gás, as ferramentas de aperto, a bomba de aspiração e o cilindro do refrigerante.
- Como num sistema de ar condicionado R410A a pressão é mais alta que a das unidades R22, é essencial escolher os tubos de cobre correctamente. Nunca utilize tubos de cobre mais finos que 0,8mm mesmo se estiverem disponíveis à venda.
- Se a fuga de gás do refrigerante ocorrer durante a instalação / manutenção, certifique-se de que há ventilação total. Se o gás do refrigerante entrar em contacto com fogo, pode ser libertado gás tóxico.
- Quando instalar ou retirar um sistema de ar condicionado, não deixe que o ar ou a humidade permaneçam no ciclo do refrigerante.

VÁCUO E CARREGAMENTO

É necessário aspirar para eliminar toda a humidade e o ar do sistema.

Aspirar a tubagem e a unidade interior

A unidade interior e os tubos de ligação do refrigerante devem ser purgados do ar porque o ar que contém humidade que permanece no ciclo do refrigerante pode causar o mau funcionamento do compressor.

- Retire as tampas da válvula e da porta de manutenção.
- Ligue o centro do manómetro de carga à bomba de aspiração.
- Ligue o manómetro à porta de manutenção da válvula de 3 vias.

- Inicie a bomba de aspiração. Evacue durante aproximadamente 30 minutos. O tempo de evacuação varia com a diferente capacidade da bomba de aspiração. Confirme que a agulha do manómetro de carga se moveu para -760mmHg.

Cuidado

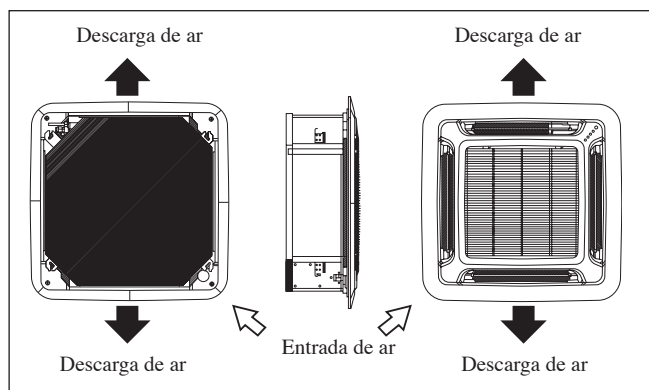
- Se a agulha do manómetro não se move para -760mmHg, certifique-se de que verifica fugas de gás (utilizando o detector do refrigerante) na ligação de alargamento das unidades interior e exterior e que repara a fuga antes de proceder para o próximo passo.
- Feche a válvula do manómetro de carga e pare a bomba de aspiração.

PEÇAS ACESSÓRIAS

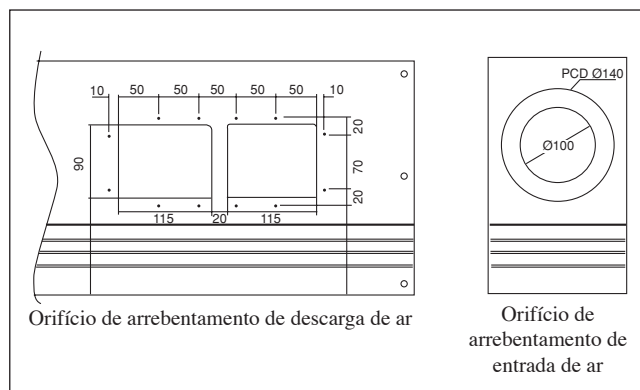
Especificação da conduta curta

- A unidade interior é fornecida com um orifício "de rebentamento" para descarga de ar e entrada de ar para ligação à conduta. Mas só é possível efectuar a ligação da conduta curta para fins de descarga de ar de um dos lados da unidade.
- O uso da conduta curta para fins de descarga de ar melhorará a distribuição do fluxo de ar caso haja uma obstrução (como uma fixação para iluminação) ou numa divisão longa e estreita ou em forma de L. Permite usar a unidade de ar condicionado em duas divisões simultaneamente.

Possível direcção para descarga de ar e entrada de ar



Possível dimensão da abertura para ligação à conduta



Nota

- Evite utilizar a conduta curta na qual a grelha de descarga de ar pode ser completamente fechada para impedir o congelamento do evaporador.
- Para impedir a formação de condensação, certifique-se de que existe isolamento térmico suficiente e nenhuma fuga de ar fresco ao instalar a conduta curta.
- Mantenha a introdução da entrada de ar fresco a 20% do fluxo total de ar. Disponibilize também uma câmara e utilize um turbo ventilador.

Material de vedação

- É possível dar uma das quatro saídas de descarga de ar. (a vedação de duas ou mais saídas de descarga pode provocar uma avaria)
- Remova o painel frontal e introduza o material de vedação na saída de descarga de ar na unidade interior para vedar a saída de ar.
- O material de vedação tem o mesmo comprimento que a saída de descarga de ar mais comprida. Se quiser vedar a saída de descarga de ar mais curta, corte o material de vedação para o encurtar.
- Empurre o material de vedação em cerca de 10mm além da superfície do fundo da unidade interior de maneira a que não entre em contacto com as lâminas de ar. Certifique-se de que não empurre o material de vedação em mais do que cerca de 10mm.



**MEMO / LE MÉMO / MITTEILUNG / MEMO / EL MEMORÁNDUM /
ПАМ'ЯТКА / NOT / ΣΗΜΕΙΩΜΑ / MEMO**







- In the event that there is any conflict in the interpretation of this manual and any translation of the same in any language, the English version of this manual shall prevail.
- The manufacturer reserves the right to revise any of the specification and design contain herein at any time without prior notification.
- En cas de désaccord sur l'interprétation de ce manuel ou une de ses traductions, la version anglaise fera autorité.
- Le fabriquant se réserve le droit de modifier à tout moment et sans préavis la conception et les caractéristiques techniques des appareils présentés dans ce manuel.
- Im Falle einer widersprüchlichen Auslegung der vorliegenden Anleitung bzw. einer ihrer Übersetzungen gilt die Ausführung in Englisch.
- Änderungen von Design und technischen Merkmalen der in dieser Anleitung beschriebenen Geräte bleiben dem Hersteller jederzeit vorbehalten.
- In het geval dat een versie van deze handleiding in vertaling anders kan worden geïnterpreteerd dan de Engelse versie, geldt de Engelse versie.
- De fabrikant behoudt zich het recht voor specificaties en ontwerpkenmerken die in dezes worden vermeld, te allen tijde te herzien zonder voorafgaande kennisgeving.
- En caso de conflicto en la interpretación de este manual, y en su traducción a cualquier idioma, prevalecerá la versión inglesa.
- El fabricante se reserva el derecho a modificar cualquiera de las especificaciones y diseños contenidos en el presente manual en cualquier momento y sin notificación previa.
- В случае противоречия перевода данного руководства с другими переводами одного и того же текста, английский вариант рассматривается как приоритетный.
- Завод-изготовитель оставляет за собой право изменять характеристики и конструкцию в любое время без предварительного уведомления.
- Bu kılavuzun anlaşılmasında bir çatışma olduğunda ve farklı dillerdeki tercümelemler farklılık gösterdiğinde, bu kılavuzun İngilizce sürümü üstün tutulacaktır.
- Üretici burada bulunan herhangi teknik özellikleri ve tasarımları herhangi bir zamanda ve önceden haber vermeden değiştirme hakkını saklı tutar.
- Σε περίπτωση διαφορών μεταξύ του εγχειριδίου αυτού και τυχόν μετάφρασής του σε οποιαδήποτε γλώσσα, υπερισχύει η Αγγλική έκδοση αυτού του εγχειριδίου.
- Ο κατασκευαστής διατηρεί το δικαίωμα αναθεώρησης των προδιαγραφών και σχεδίων που περιέχονται στο παρόν οποιαδήποτε στιγμή χωρίς προηγούμενη ειδοποίηση.
- A versão em inglês do Manual prevalecerá na eventualidade de qualquer conflito na interpretação deste Manual e de qualquer tradução do mesmo.
- O fabricante reserva-se o direito de rever qualquer uma das especificações e concepção/design aqui contido a qualquer altura sem aviso prévio.

DAIKIN EUROPE N.V.

Zandvoordestraat 300, B-8400 Oostende, Belgium

