



INSTALLATION MANUAL



Models

AHQ71CV1

AHQ100CV1

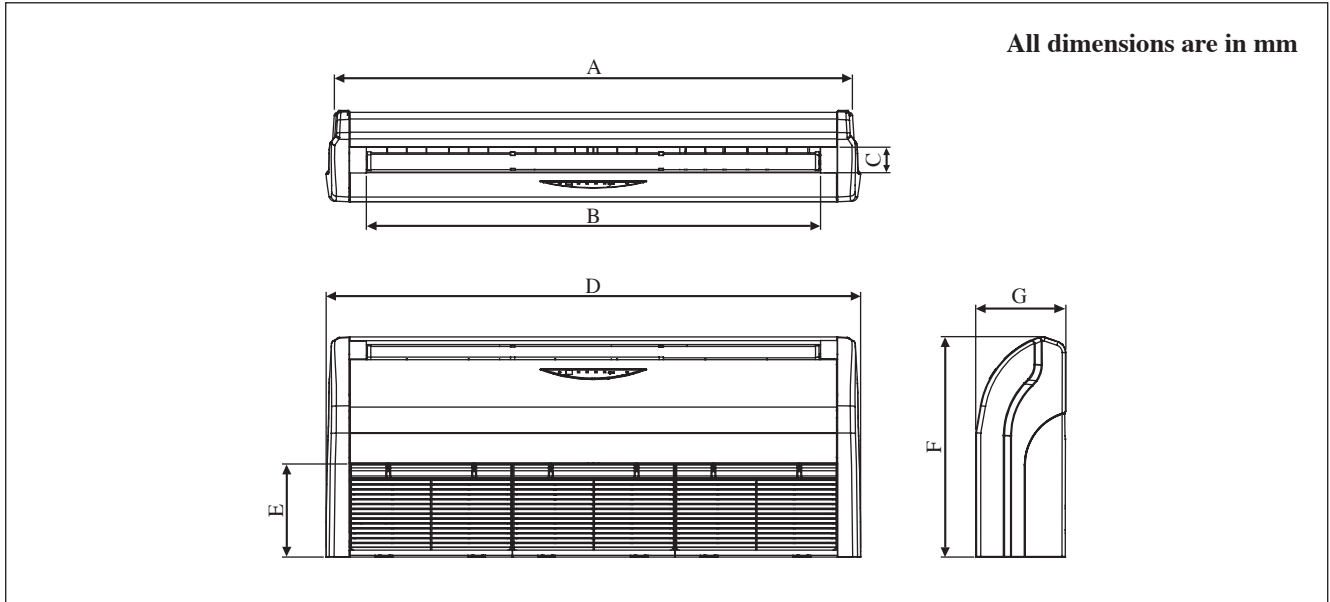
AHQ125CV1

AHQ140CV1

Installation Manual Split Type Unit	English
Manuel D'installation Type d'unité Split	Français
Installationshandbuch Split Typ Einheit	Deutsch
Installatiehandleiding Werdelen Drukletter Eenheid	Nederlands
Manual De Instalación Escisión tipos Unidades	Español
Руководство по установке Блок Раздельного Типа	Русский
Kurulum kılavuzu Ayrılma Tipi Üniteleri	Türkçe
Εγχειρίδιο Εγκατάστασης Διάρθρωση Τύπος Μονάδα	Ελληνικά
Manual De Instalação Split Tipo Unidades	Português
Manuale D'installazione Split Tipo di unità	Italian

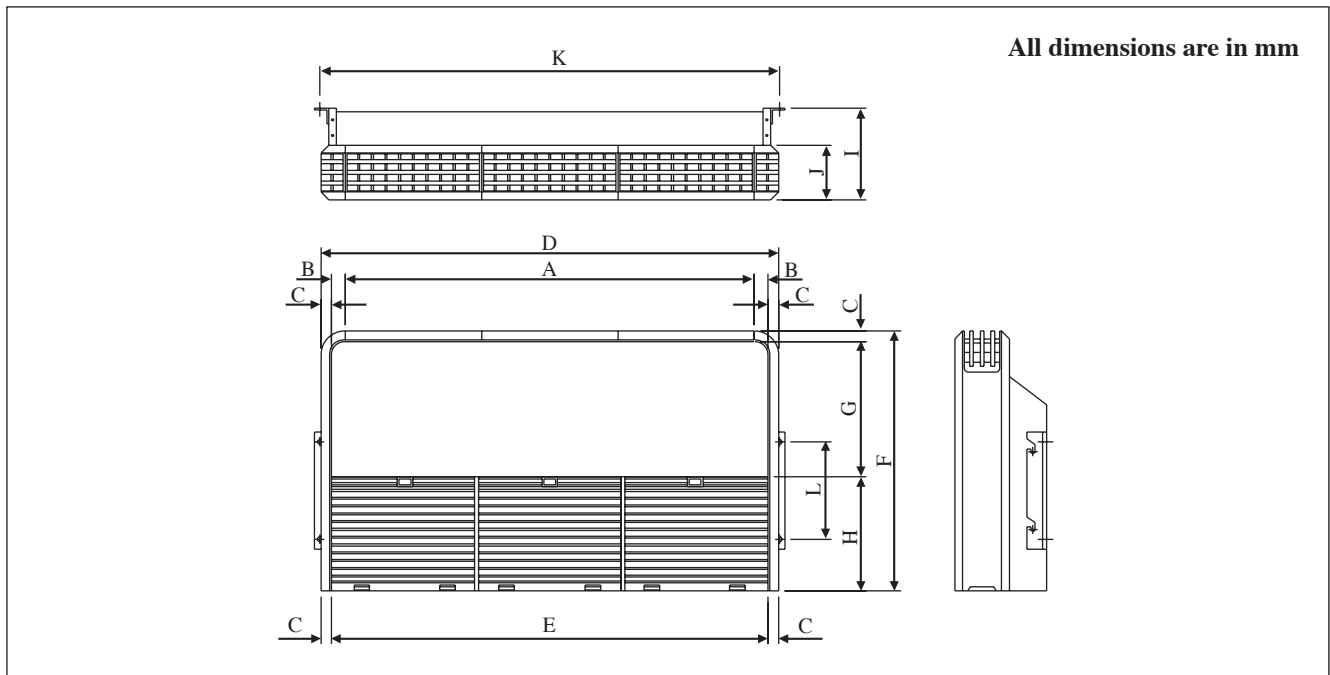
OUTLINE AND DIMENSIONS

Indoor Unit AHQ71/100/125CV1



Dimension / Model	A	B	C	D	E	F	G
AHQ71CV1	1272	1088	74	1320	268	635	259
AHQ100CV1	1490	1308	74	1538	268	635	259
AHQ125CV1	1738	1556	74	1786	268	635	259

Indoor Unit AHQ140CV1



Dimension / Model	A	B	C	D	E	F	G	H	I	J	K	L
AHQ140CV1	1750	40	36	1903	1830	680	352	292	285	140	1880	250

INSTALLATION MANUAL

This manual provides the procedures of installation to ensure a safe and good standard of operation for the air conditioner unit.

Special adjustment may be necessary to suit local requirements.

Before using your air conditioner, please read this instruction manual carefully and keep it for future reference.

This appliance is intended to be used by expert or trained users in shops, in light industry and on farms, or for commercial use by lay persons.

This appliance is not intended for use by persons, including children, with reduced physical, sensory or mental capabilities, or lack of experience and knowledge, unless they have been given supervision or instruction concerning use of the appliance by a person responsible for their safety.

Children should be supervised to ensure that they do not play with the appliance.





SAFETY PRECAUTIONS

WARNING

- Installation and maintenance should be performed by qualified persons who are familiar with local code and regulation, and experienced with this type of appliance.
- All field wiring must be installed in accordance with the national wiring regulation.
- Ensure that the rated voltage of the unit corresponds to that of the name plate before commencing wiring work according to the wiring diagram.
- The unit must be GROUNDED to prevent possible hazard due to insulation failure.
- All electrical wiring must not touch the refrigerant piping, or any moving parts of the fan motors.
- Confirm that the unit has been switched OFF before installing or servicing the unit.
- Disconnect from the main power supply before servicing the air conditioner unit.
- DO NOT pull out the power cord when the power is ON. This may cause serious electrical shocks which may result in fire hazards.
- Keep the indoor and outdoor units, power cable and transmission wiring, at least 1m from TVs and radios, to prevent distorted pictures and static. {Depending on the type and source of the electrical waves, static may be heard even when more than 1m away}.

CAUTION

Please take note of the following important points when installing.

- **Do not install the unit where leakage of flammable gas may occur.**
 -  If gas leaks and accumulates around the unit, it may cause fire ignition.
- **Ensure that drainage piping is connected properly.**
 -  If the drainage piping is not connected properly, it may cause water leakage which will dampen the furniture.
- **Do not overcharge the unit.**
 -  This unit is factory pre-charged. Overcharge will cause over-current or damage to the compressor.
- **Ensure that the unit's panel is closed after service or installation.**
 -  Unsecured panels will cause the unit to operate noisily.
- **Sharp edges and coil surfaces are potential locations which may cause injury hazards.**

Avoid from being in contact with these places.
- **Before turning off the power supply, set the remote controller's ON/OFF switch to the "OFF" position to prevent the nuisance tripping of the unit.** If this is not done, the unit's fans will start turning automatically when power resumes, posing a hazard to service personnel or the user.
- **Do not operate any heating apparatus too close to the air conditioner unit.** This may cause the plastic panel to melt or deform as a result of the excessive heat.
- **Do not install the units at or near doorway.**
- **Do not operate any heating apparatus too close to the air conditioner unit or use in room where mineral oil, oil vapour or oil steam exist, this may cause plastic part to melt or deform as a result of excessive heat or chemical reaction.**
- **When the unit is used in kitchen, keep flour away from going into suction of the unit.**
- **This unit is not suitable for factory used where cutting oil mist or iron powder exist or voltage fluctuates greatly.**
- **Do not install the units at area like hot spring or oil refinery plant where sulphide gas exists.**
- **Ensure the color of wires of the outdoor unit and the terminal markings are same to the indoors respectively.**
- **IMPORTANT: DO NOT INSTALL OR USE THE AIR CONDITIONER UNIT IN A LAUNDRY ROOM.**
- **Don't use joined and twisted wires for incoming power supply.**
- **Avoid direct contact of any coil treatment cleaners on plastic part. This may cause plastic part to deform as a result of chemical reaction.**
- **For any enquiries on spare parts please contact your authorized dealer.**
- **The equipment is not intended for use in a potentially explosive atmosphere.**

NOTICE

Disposal requirements

Your air conditioning product is marked with this symbol. This means that electrical and electronic products shall not be mixed with unsorted household waste.

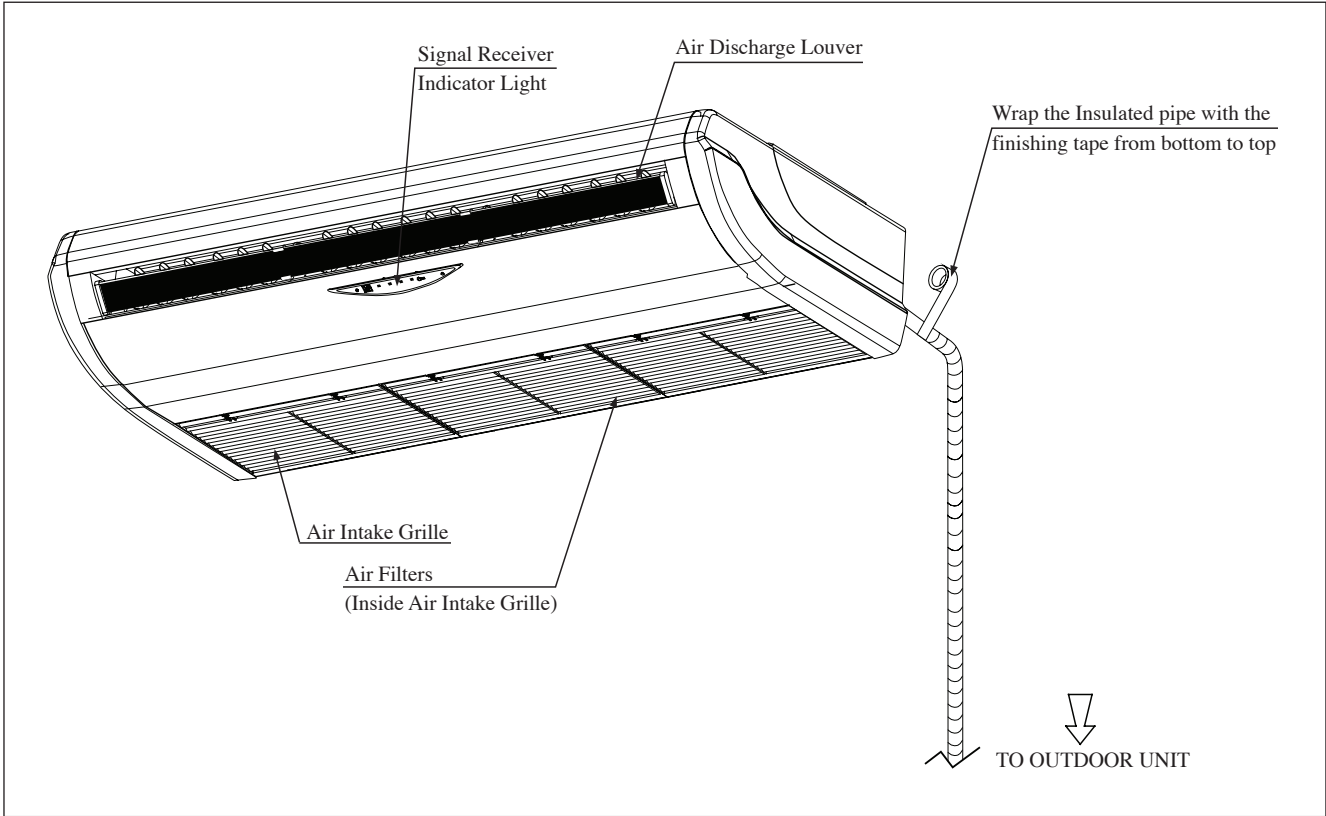
Do not try to dismantle the system yourself: the dismantling of the air conditioning system, treatment of the refrigerant, of oil and of other parts must be done by a qualified installer in accordance with relevant local and national legislation.

Air conditioners must be treated at a specialized treatment facility for re-use, recycling and recovery. By ensuring this product is disposed of correctly, you will help to prevent potential negative consequences for the environment and human health. Please contact the installer or local authority for more information.

Batteries must be removed from the remote controller and disposed of separately in accordance with relevant local and national legislation.



INSTALLATION DIAGRAM (AHQ71/100/125CV1)



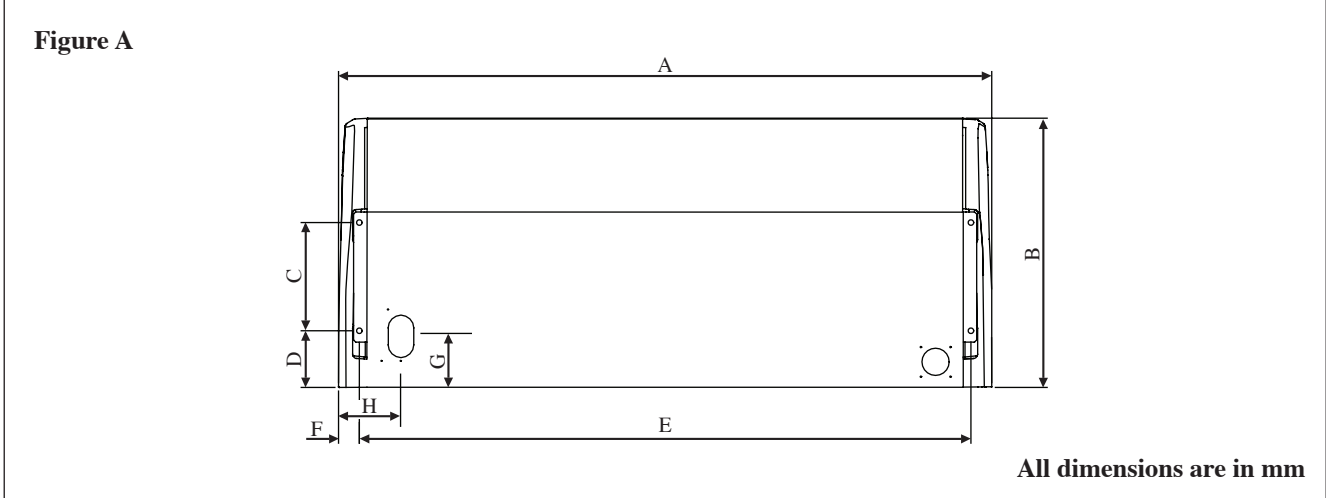
INSTALLATION OF THE INDOOR UNIT (AHQ71/100/125CV1)

Preliminary Site Survey

- Voltage supply fluctuation must not exceed $\pm 10\%$ of rated voltage. Electricity supply lines must be independent of welding transformer which can cause high supply fluctuations.
- Ensure that the location is convenient for wiring, piping and drainage.

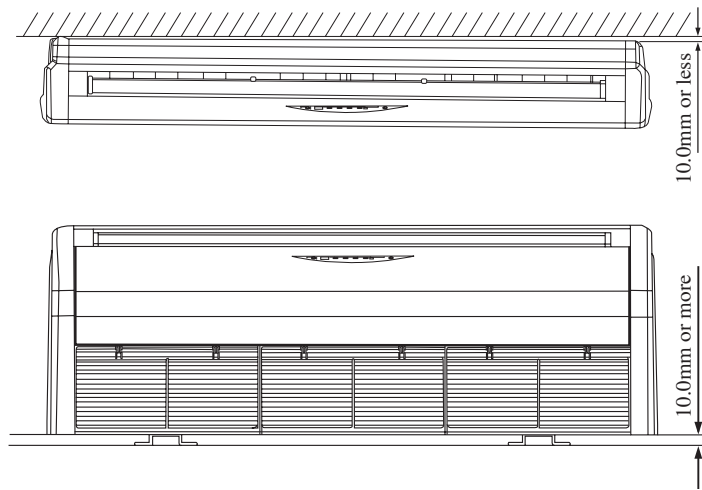
Standard Mounting

Ensure that the overhead supports are strong enough to hold the weight of the unit. Position the hanger rods (wall mounting bracket for floor standing), and check for its alignment with the unit as shown in Figure A. Also, check that the hangers are secured and the base of the fan coil unit is leveled in both horizontal directions, taking into account the gradient for drainage flow as recommended in Figure B.



Model \ Dimension	A	B	C	D	E	F	G	H
AHQ71CV1	1320	635	255	134	1222	49	148	120
AHQ100CV1	1538	635	255	134	1440	49	148	120
AHQ125CV1	1786	635	255	134	1688	49	148	120

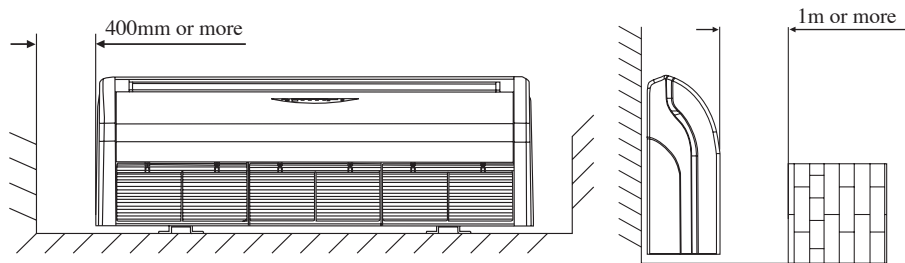
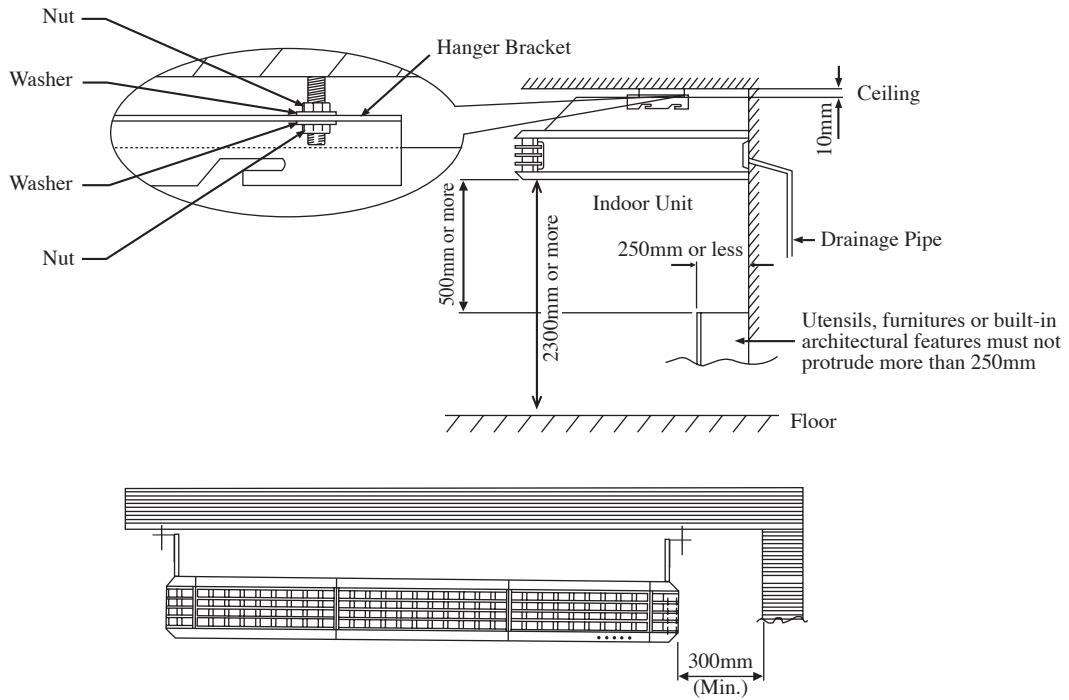
Figure B



Please ensure that the following steps are taken:

- Unit installation should be tilted at least 10mm as recommended in Figure B.
- The drain pipe slope shall be kept at least 1:100.
- Provide clearance for easy servicing and optimal air flow as shown in Figure C.
- The indoor unit must be installed such that there is no short circuit of the cool discharge air with the warm return air.
- Do not install the indoor unit where there is direct sunlight shining on the unit. The location should be suitable for piping and drainage installation. The unit must be a large distance away from the door.

Figure C



Floor Standing Type

UNDER CEILING INSTALLATION (AHQ71/100/125CV1)

Install Suspension Bolts

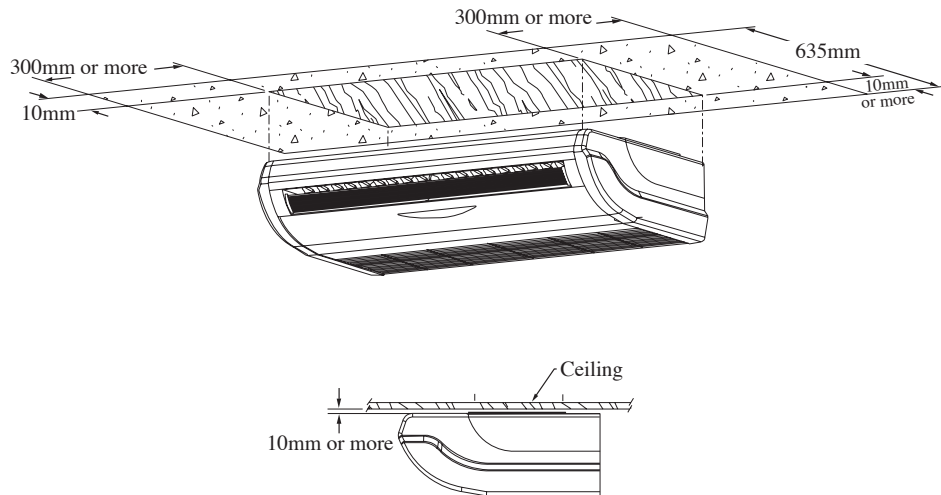
1. Install the suspension bolts so that it can support the indoor unit.
2. Adjust distance to ceiling before installation.
3. Refer to dimension given to install the unit.

Install Indoor Units

1. Insert the suspension bolts into the fittings of the hanger bracket.
2. Set the nuts and washer on both side of the metal fittings.
3. Secure it with nuts.

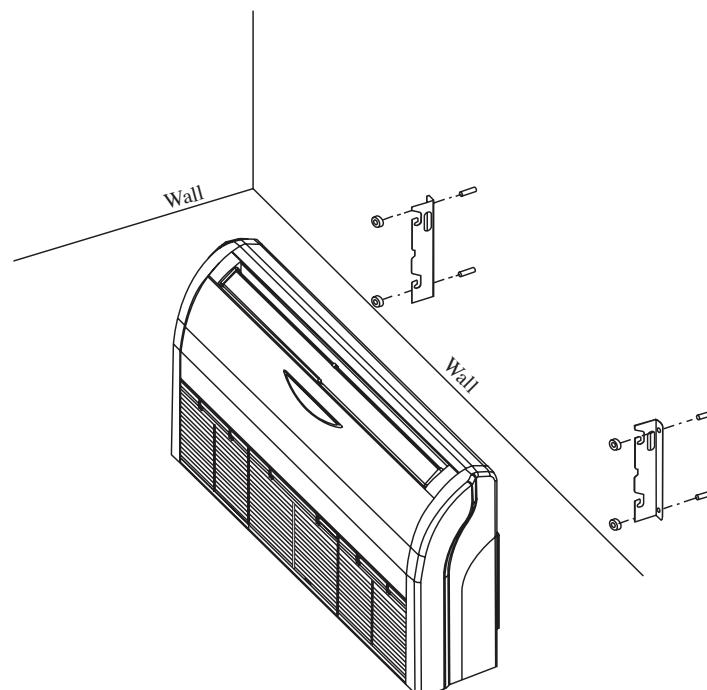
Installation Ceiling Type

Figure D



Installation Floor Type

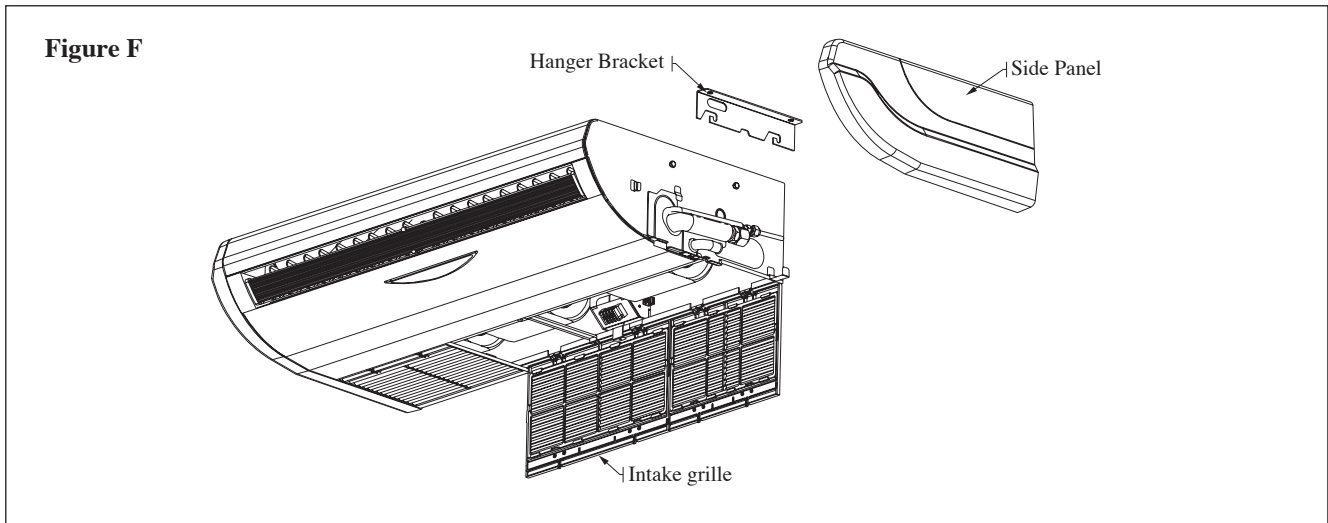
Figure E



Installation - Ceiling Exposed Type

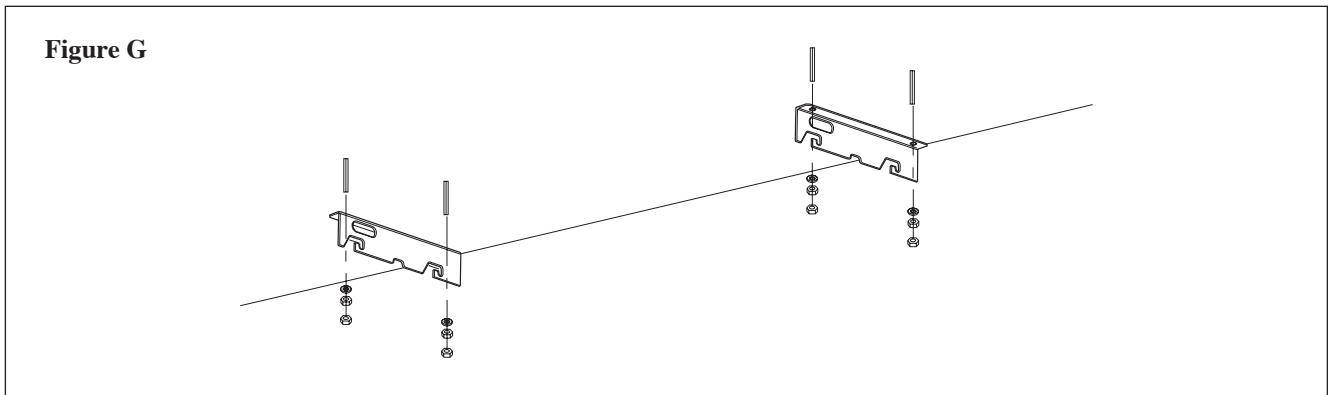
Step 1

Remove air intake grille, side panel and hanger bracket from the unit. Please refer to Figure F.



Step 2

Position the hanger rod as shown in Figure G and install the hanger bracket.



Step 3

Hang up the unit and tighten the bolts after installation of piping and drain pipe. Please refer to Figure H. Lastly install the intake grille and side panel to the correct position. Please refer to Figure I.

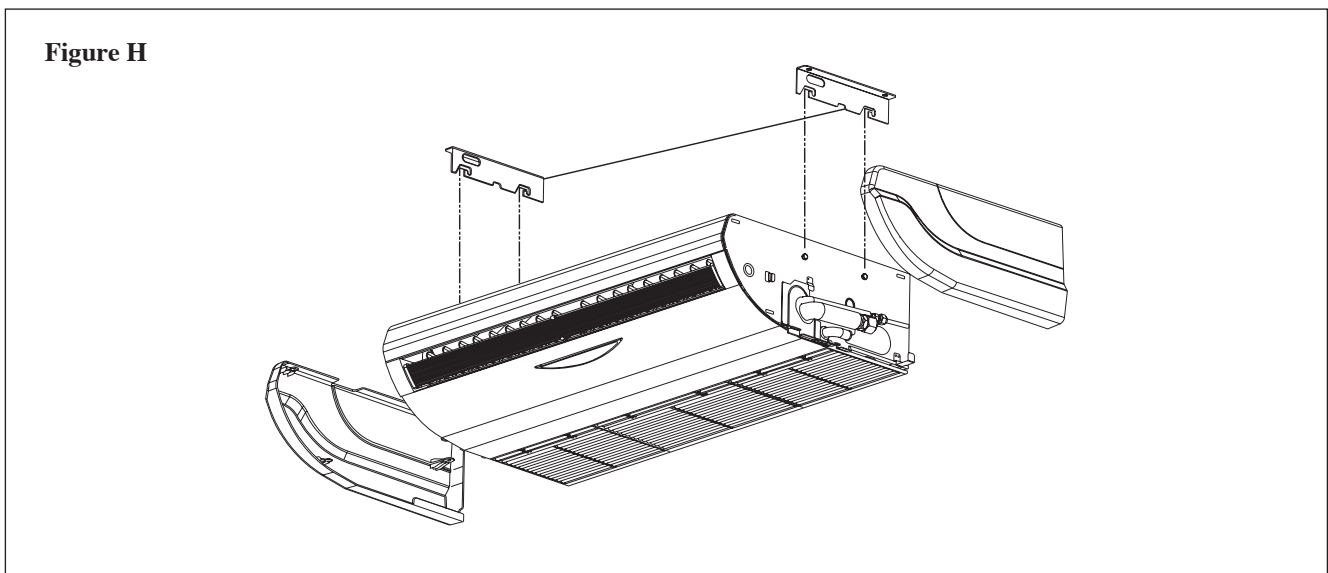
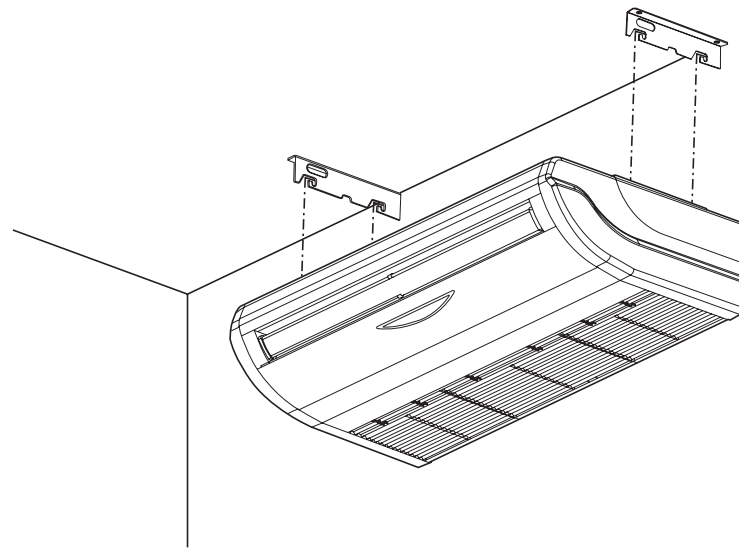
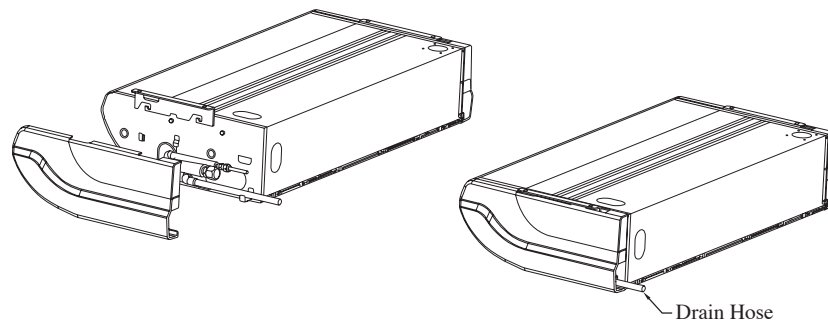


Figure I



Piping and Drain Hose Installation

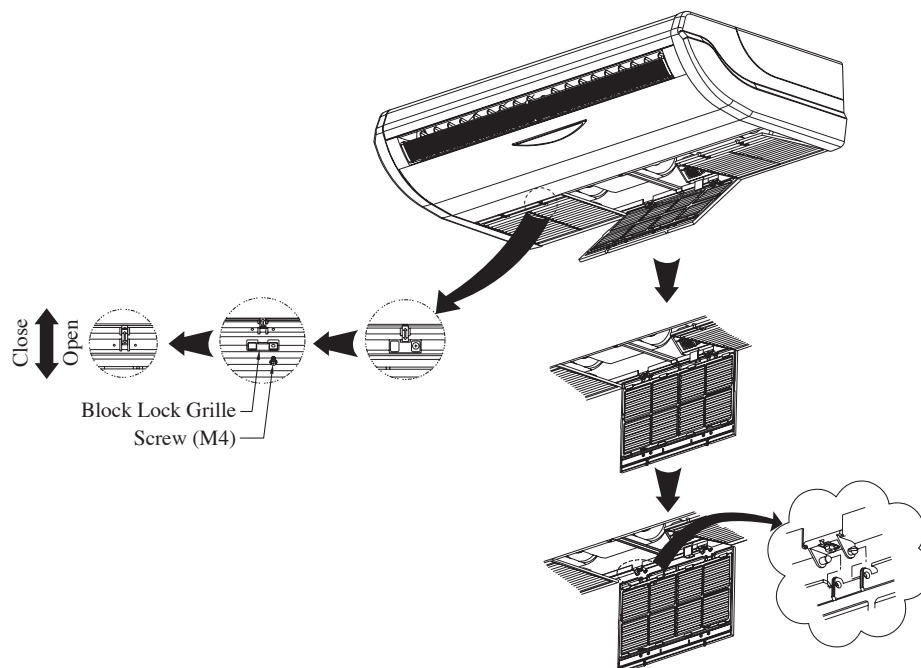
Figure J



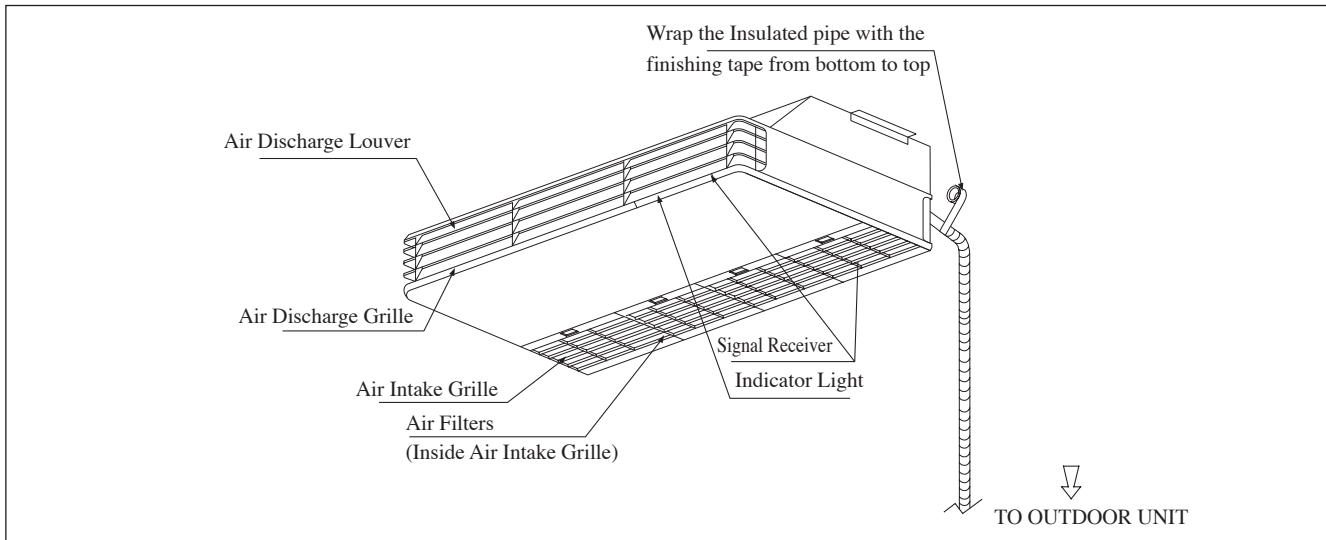
Steps to open intake grille

1. Unlock the screw attached to block lock grille with screwdriver.
2. Remove block lock grille and unlock grille lock.
3. Please refer to Figure K for reference.

Figure K



INSTALLATION DIAGRAM (AHQ140CV1)



INSTALLATION OF THE INDOOR UNIT (AHQ140CV1)

Preliminary Site Survey

- Voltage supply fluctuation must not exceed $\pm 10\%$ of the rated voltage. Electricity supply lines must be independent of welding transformers which can cause high supply fluctuation.
- Ensure that the installation location is convenient for wiring and drainage.

Standard Mounting

Ensure that the overhead supports are strong enough to hold the weight of the unit. Position the hanger rods, and check for its alignment with the unit. Also, check that the hangers are secured.

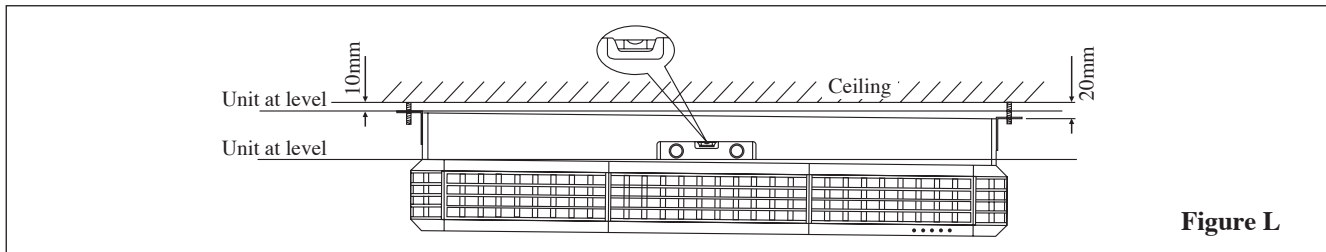


Figure L

Please ensure that the following steps are taken:

- Unit installation should be tilted/slanted at least 10mm as recommended in Figure L.
- The drain pipe slope shall be kept at least 1:100.
- Provide clearance for easy servicing and optimal air flow as shown in Figure M.
- The indoor unit must be installed such that there is no short circuit of the cool discharge air with the warm return air.
- Do not install the indoor unit where there is direct sunlight shining on the unit. The location should be suitable for piping and drainage installation. The unit must be a large distance away from the door.

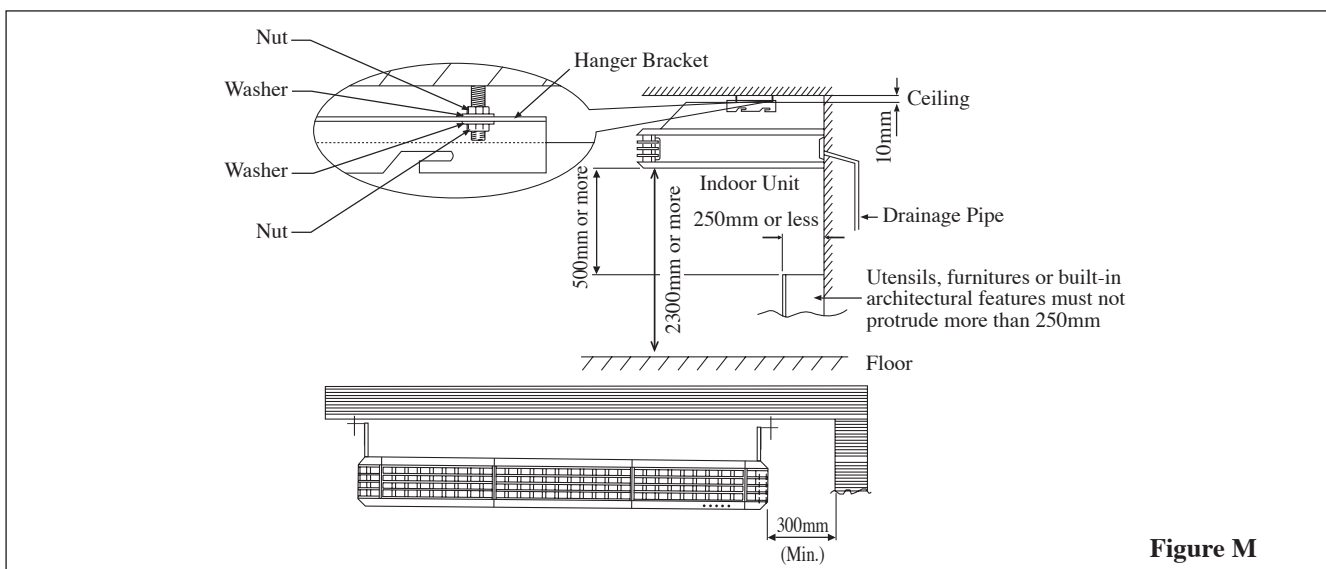


Figure M

UNDER CEILING INSTALLATION (AHQ140CV1)

Install Suspension Bolts

1. Install the suspension bolts so that it can support the indoor unit.
2. Adjust distance to ceiling before installation.
3. Refer to dimension given by Figure N to install the unit.

Install Indoor Units

1. Insert the suspension bolts into the fitting of the hanger bracket.
2. Set the nuts and washer on both side of the metal fittings.
3. Secure it with nuts.

Installation Ceiling Type

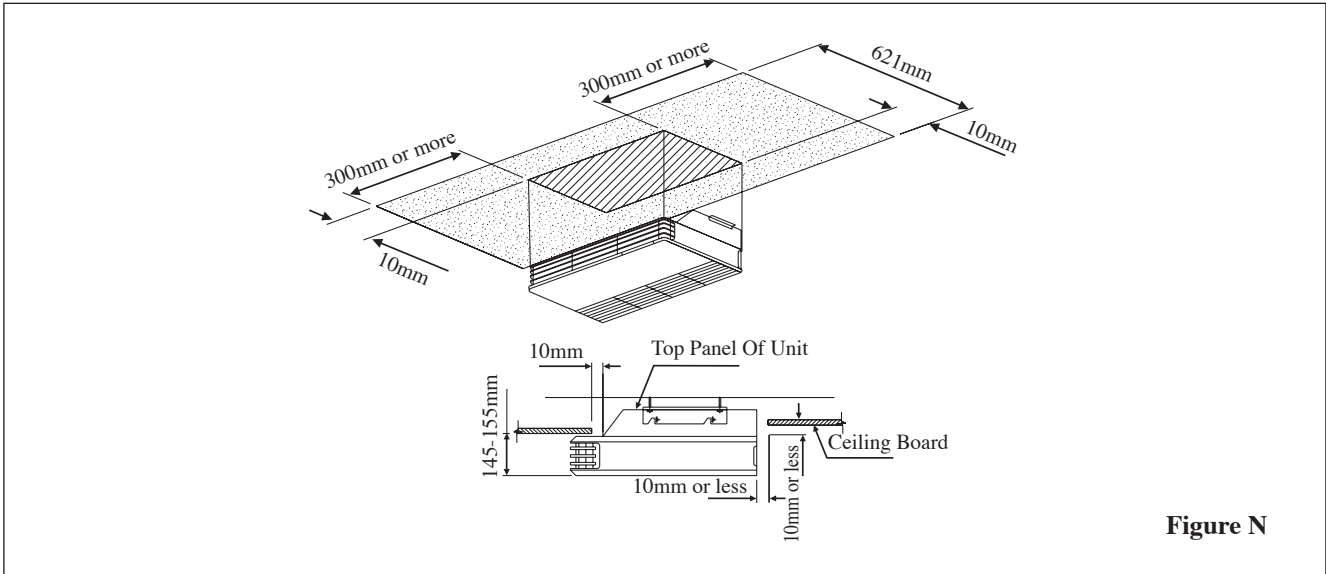
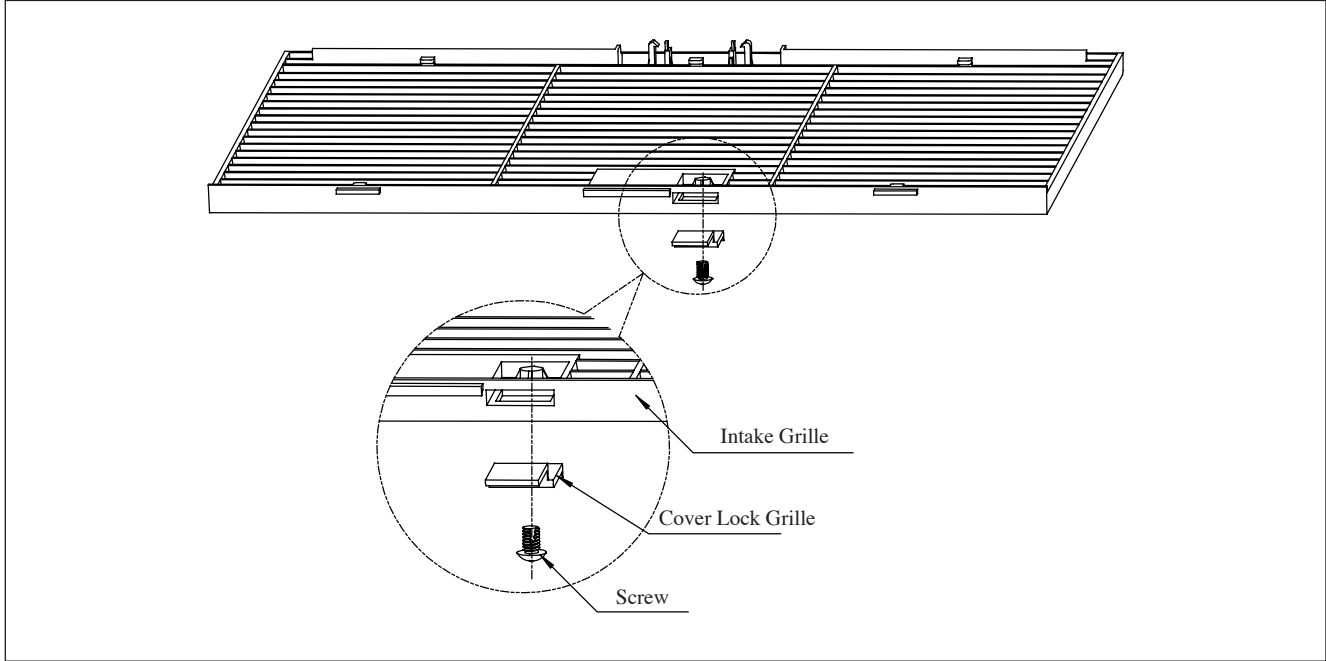


Figure N

Cover Lock Grille (The moving part protection for user direct touching)

Cover lock grille must be installed as the figure below.



If the unit need to be service, steps below shall be followed:

1. Confirm that the unit had been switched off before servicing the unit.
2. Use screwdriver to unlock the screw on the cover lock grille.
3. Remove the cover lock grille and open the intake grille for the service purpose.
4. Install the intake grille and screw the cover lock grille after service and make sure the unit is proper install.

Piping Works And Flaring Technique

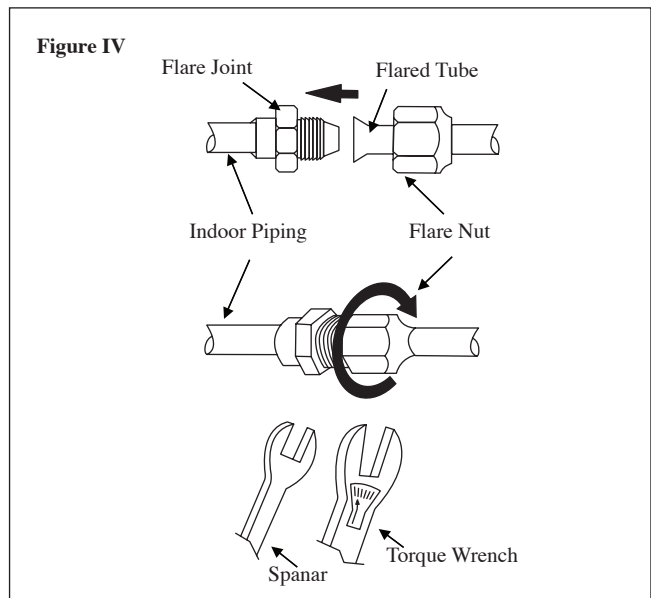
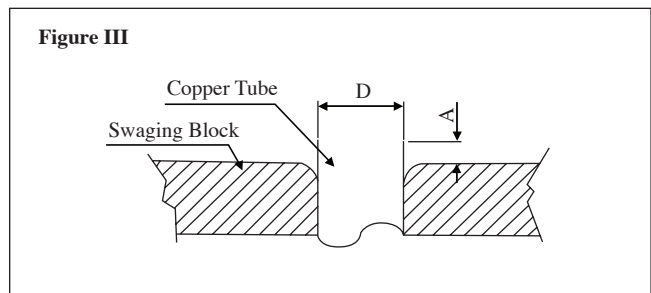
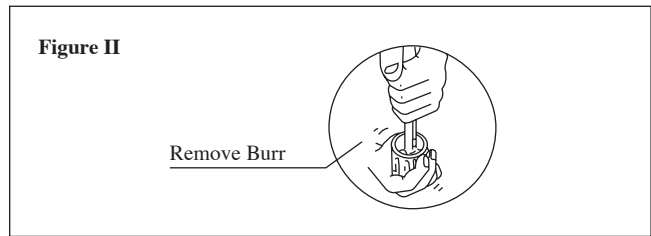
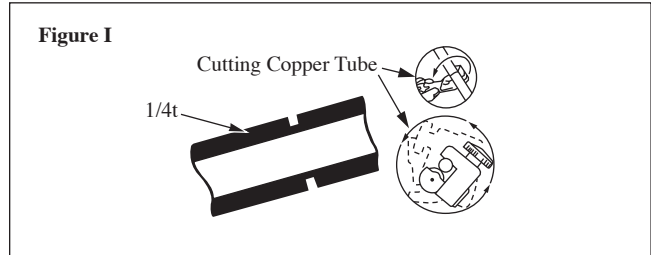
- Do not use contaminated or damaged copper tubing. If any pipings, evaporator or condenser had been exposed or had been opened for 15 seconds or more, the system must be vacuumed. Generally, do not remove plastic, rubber plugs and brass nuts from the valves, fittings, tubings and coils until it is ready to connect suction or liquid line into valves or fittings.
- If any brazing work is required, ensure that the nitrogen gas is passed through coil and joints while the brazing work is being done. This will eliminate soot formation on the inside walls of the copper tubings.
- Cut the pipe stage by stage, advancing the blade of the pipe cutter slowly. Extra force and deep cut will cause more distortion on the pipe and thus extra burr. See Figure I.
- Remove burrs from cut edges of the pipes with remover as shown in Figure II. This will avoid unevenness on the flare faces which will cause gas leak. Hold the pipe on top position and burr remover at lower position to prevent metal chips from entering the pipe.
- Insert the flare nuts, mounted on the connection parts of both the indoor unit and outdoor unit, into the copper pipes.
- The exact length of pipe protruding from the top surface of the swaging block is determined by the flaring tool. Refer Figure III.
- Fix the pipe firmly on the swaging block. Match the centers of both the flare die and the flaring punch, and then tighten the flaring punch fully.

Piping Connection To The Units

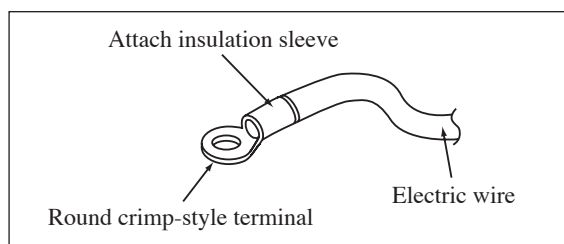
- Align the center of the piping and tighten the flare nut sufficiently with fingers. Refer Figure IV.
- Finally, tighten the flare nut with the torque wrench until the wrench clicks.
- When tightening the flare nut with the torque wrench, ensure that the tightening direction follows the arrow indicated on the wrench.
- The refrigerant pipe connection are insulated by closed cell polyurethane.

Pipe Size (mm/in)	Torque (Nm/ft-lb)
6.35 (1/4")	18 (13.3")
9.52 (3/8")	42 (31.0")
12.70 (1/2")	55 (40.6")
15.88 (5/8")	65 (48.0")
19.05 (3/4")	78 (57.6")

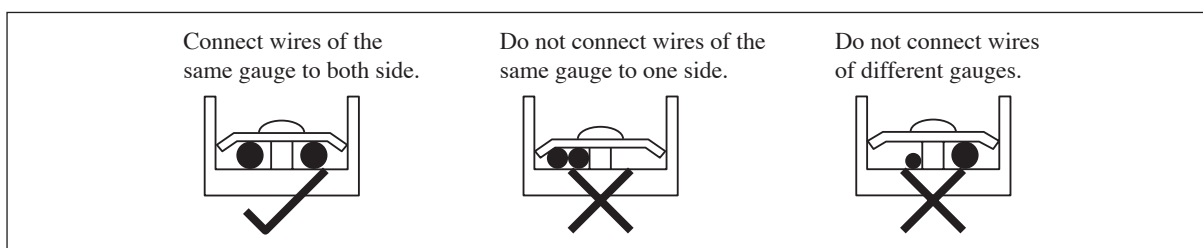
Ø Tube, D		A (mm)	
Inch	mm	Imperial (Wing-nut Type)	Rigid (Clutch Type)
1/4"	6.35	1.3	0.7
3/8"	9.52	1.6	1.0
1/2"	12.70	1.9	1.3
5/8"	15.88	2.2	1.7
3/4"	19.05	2.5	2.0



- All wires must be firmly connected.
- Make sure all the wire do not touch the refrigerant pipings, compressor or any moving parts.
- The connecting wire between the indoor unit and the outdoor unit must be clamped by using provided cord anchorage.
- The power supply cord must be equivalent to H07RN-F which is the minimum requirement.
- Make sure no external pressure is applied to the terminal connectors and wires.
- Make sure all the covers are properly fixed to avoid any gap.
- Use round crimp-style terminal for connecting wires to the power supply terminal block. Connect the wires by matching to the indication on terminal block. (Refer to the wiring diagram attached on the unit).



- Use the correct screwdriver for terminal screws tightening. Unsuitable screwdrivers can damage the screw head.
- Over tightening can damage the terminal screw.
- Do not connect wire of different gauge to same terminal.
- Keep wiring in an orderly manner. Prevent the wiring from obstructing other parts and the terminal box cover.



SPECIAL PRECAUTIONS WHEN DEALING WITH R410A UNIT

R410A is a new HFC refrigerant which does not damage the ozone layer. The working pressure of this new refrigerant is 1.6 times higher than conventional refrigerant (R22), thus proper installation / servicing is essential.

- Never use refrigerant other than R410A in an air conditioner which designed to operate with R410A.
- POE or PVE oil is used as lubricant for R410A compressor, which is different from the mineral oil used for R22 compressor. During installation or servicing, extra precaution must be taken not to expose the R410A system too long to moist air. Residual POE or PVE oil in the piping and components can absorb moisture from the air.
- To prevent mischarging, the diameter of the service port on the flare valve is different from that of R22.

- Use tools and materials exclusively for refrigerant R410A. Tools exclusively for R410A are manifold valve, charging hose, pressure gauge, gas leak detector, flare tools, torque wrench, vacuum pump and refrigerant cylinder.
- As an R410A air conditioner incurs higher pressure than R22 units, it is essential to choose the copper pipes correctly. Never use copper pipes thinner than 0.8mm even though they are available in the market.
- If the refrigerant gas leakage occurs during installation / servicing, be sure to ventilate fully. If the refrigerant gas comes into contact with fire, a poisonous gas may occur.
- When installing or removing an air conditioner, do not allow air or moisture to remain in the refrigerant cycle.

VACUUMING AND CHARGING

Vacuuming is necessary to eliminate all moisture and air from the system.

Vacuuming The Piping And The Indoor Unit

The indoor unit and the refrigerant connection pipes must be air-purged because the air containing moisture that remains in the refrigerant cycle may cause malfunction of the compressor.

- Remove the caps from the valve and the service port.
- Connect the center of the charging gauge to the vacuum pump.
- Connect the charging gauge to the service port of the 3-way valve.

- Start the vacuum pump. Evacuate for approximately 30 minutes. The evacuation time varies with different vacuum pump capacity. Confirm that the charging gauge needle has moved towards -760mmHg.

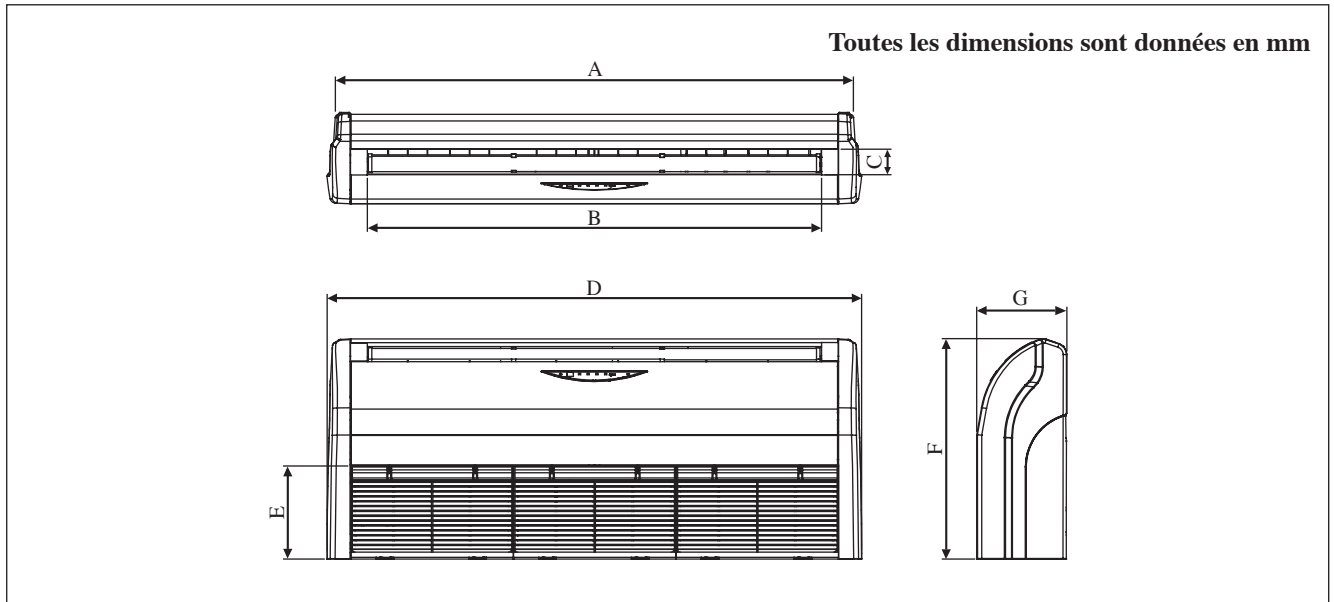
Caution

- If the gauge needle does not move to -760mmHg, be sure to check for gas leaks (using the refrigerant detector) at flare type connection of the indoor and outdoor unit and repair the leak before proceeding to the next step.
- Close the valve of the changing gauge and stop the vacuum pump.

MEMO

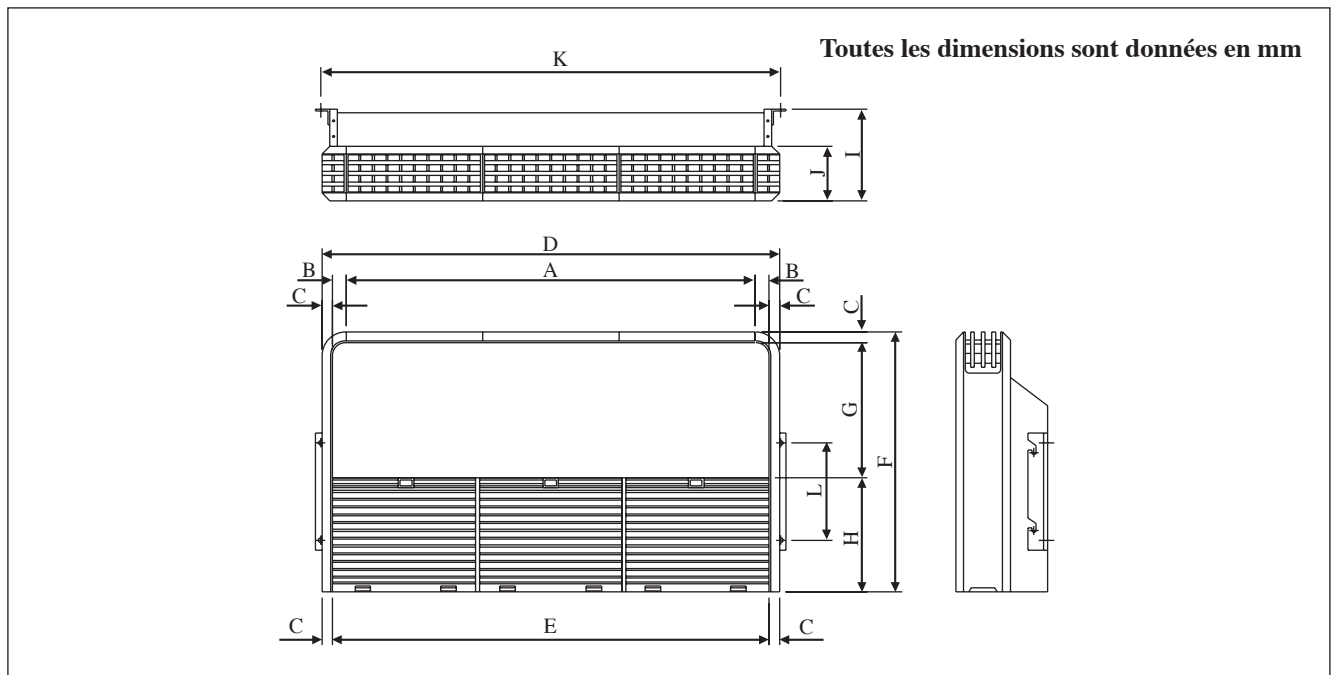
CONTOUR ET DIMENSIONS

Unité Intérieure AHQ71/100/125CV1



Dimension / Modèle	A	B	C	D	E	F	G
AHQ71CV1	1272	1088	74	1320	268	635	259
AHQ100CV1	1490	1308	74	1538	268	635	259
AHQ125CV1	1738	1556	74	1786	268	635	259

Unité Intérieure AHQ140CV1



Dimension / Modèle	A	B	C	D	E	F	G	H	I	J	K	L
AHQ140CV1	1750	40	36	1903	1830	680	352	292	285	140	1880	250

MANUEL D'INSTALLATION

Ce manuel fournit les procédures d'installation pour assurer le bon fonctionnement et la sécurité de cet appareil.

Des ajustements peuvent être nécessaires pour suivre les réglementations locales.

Avant d'installer et de faire fonctionner le climatiseur, lisez attentivement ce manuel et conservez-le.

Cet appareil est destiné à être utilisé par des utilisateurs experts ou formés dans les magasins, dans l'industrie légère ou dans les fermes, ou pour un usage commercial par des personnes non spécialisées.

Cet appareil n'est pas destiné à être utilisé par des personnes, y compris les enfants, souffrant de capacités physiques, sensorielles ou mentales réduites, ou accusant un manque d'expérience et de connaissances, sauf si elles sont supervisées ou ont reçu des instructions concernant l'emploi de cet appareil d'une personne responsable de leur sécurité.

Les enfants doivent être supervisés pour s'assurer qu'ils ne jouent pas avec l'appareil.

PRÉCAUTIONS DE SÉCURITÉ

⚠ ATTENTION

- L'installation et la maintenance doivent être exécutées par une personne qualifiée qui est familiarisée avec les lois et réglementations en vigueur, et aussi expérimentée dans ce type d'équipements.
- Tous les câblages doivent répondre aux réglementations électriques nationales.
- Avant de commencer le raccordement suivant le schéma électrique, s'assurer que la tension nominale de l'appareil correspond bien à celle indiquée sur la plaque signalétique.
- L'unité doit être raccordée à la TERRE pour prévenir tous les risques possibles dus à un défaut d'isolation.
- Aucun câble électrique ne doit toucher la tuyauterie du réfrigérant, le compresseur ou les pièces mobiles des moteurs de ventilation.
- Avant l'installation ou l'entretien du climatiseur, s'assurer que l'appareil est éteint (OFF).
- Débrancher l'appareil du circuit d'alimentation secteur avant de procéder à l'entretien du climatiseur.
- NE PAS retirer le câble d'alimentation électrique de la prise quand l'appareil est sous branché. Il peut en résulter des décharges électriques importantes susceptibles de provoquer un incendie.
- Les unités intérieures et extérieures, le cordon d'alimentation et le câblage de transmission doivent rester à une distance d'au moins 1m des téléviseurs et des radios, ce afin d'éviter les images déformées et les parasites. {En fonction du type et de la source des ondes électriques, des parasites peuvent être entendus même avec une distance supérieure à 1m}.

⚠ AVERTISSEMENT

Vérifier les points suivants au cours de l'installation.

- **Ne pas installer l'appareil où il peut se produire des fuites de gaz inflammable.**
 En cas de fuite et accumulation de gaz autour de l'appareil, il y a risque d'incendie.
- **S'assurer que le tuyau d'évacuation du condensat est correctement branché.**
 Si le tuyau d'évacuation n'est pas correctement branché, les éventuelles fuites d'eau risquent de mouiller le mobilier.
- **Ne pas surcharger l'unité (en fluide frigorigène).**
Cet appareil est préchargé en usine.
 Une charge trop importante risque de provoquer une surcharge électrique ou d'endommager le compresseur.
- **S'assurer que le panneau supérieur de l'appareil est remis en place après l'installation ou l'entretien.**
 Avec un panneau mal fixé l'appareil va fonctionner bruyamment.
- **Les bords coupants et les surfaces du refroidisseur tuulaire présentent un risque de blessure.**
Mieux vaut éviter le contact avec ces endroits.
- **Avant de couper l'alimentation électrique, veiller à ce que l'interrupteur ON/OFF de la télécommande soit en position « OFF » afin d'éviter une mise en marche intempestive de l'appareil.** Si l'interrupteur de la télécommande n'est pas en position « OFF », les ventilateurs de l'appareil se mettront en marche dès que l'alimentation électrique est rétablie. Il peut en résulter un danger pour le personnel d'entretien ou l'utilisateur.
- **Ne pas utiliser d'appareil de chauffage trop près du climatiseur.** Une chaleur excessive peut déformer ou faire fondre le boîtier de plastic.
- **Ne pas installer les appareils à proximité ou près d'un passage de porte.**
- **Ne pas utiliser un appareil de chauffage trop près d'une unité de climatisation ou l'utiliser dans une pièce où, de l'huile minérale ou de la vapeur d'huile existent, cela peut faire fondre ou se déformer les pièces en plastique en raison de la chaleur excessive ou de réaction chimique.**
- **Lorsque l'appareil est utilisé dans la cuisine, le garder loin de la farine qui peut aller dans d'aspiration de l'appareil.**
- **Cet appareil n'est pas approprié pour une utilisation en usine lorsqu'un brouillard d'huile de coupe ou de la poudre de fer existe ou bien quand la tension fluctue grandement.**
- **Ne pas installer les unités à des endroits comme une source d'eau chaude ou une raffinerie de pétrole où des gaz sulfureux existent.**
- **S'assurer que la couleur des câbles de l'unité extérieure et les marquages de bornes sont identiques à ceux de l'unité intérieure.**
- **IMPORTANT: NE PAS INSTALLER OU UTILISER LE CLIMATISEUR DANS UNE BUANDERIE.**
- **N'utilisez pas de câbles joints et torsadés pour l'alimentation électrique entrante.**
- **Évitez d'appliquer directement des produits de nettoyage et de traitement pour bobines sur les pièces en plastique. Une réaction chimique pourrait se produire et déformer les pièces en plastique.**
- **Pour tout renseignement concernant les pièces détachées, contacter votre revendeur agréé.**
- **L'équipement n'est pas destiné à être utilisé dans une atmosphère potentiellement explosive.**

AVIS

Instructions d'élimination

Cet appareil de conditionnement d'air porte le symbole ci-joint. Ce symbole signifie que les appareils électriques et électroniques doivent être éliminés séparément des ordures ménagères non triées.

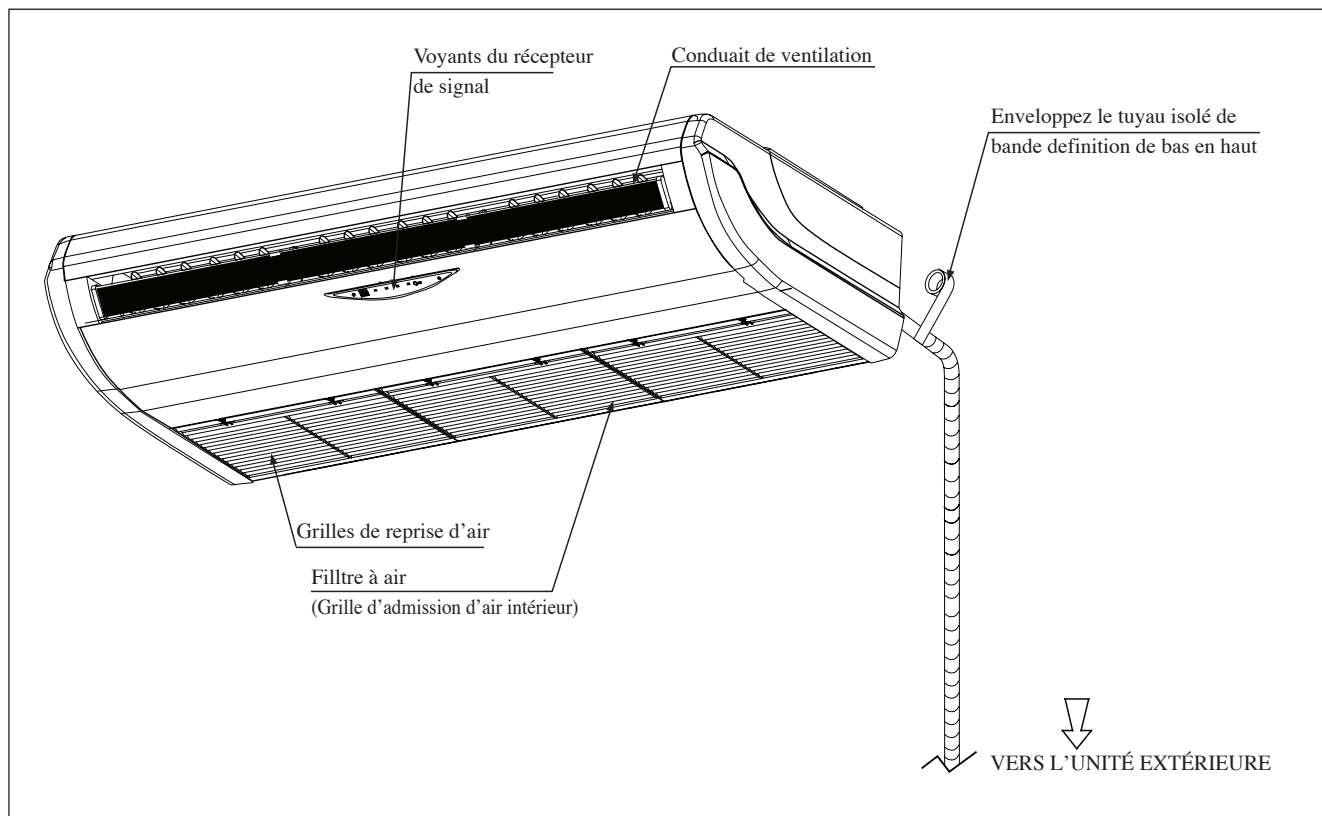
N'essayez pas de démonter vous-même l'appareil : le démontage de l'appareil de conditionnement d'air ainsi que le traitement du réfrigérant, de l'huile et d'autres composants doivent être effectués par un installateur qualifié, en accord avec les réglementations locales et nationales en vigueur.

Les appareils de conditionnement d'air doivent être traités dans des installations spécialisées de dépannage, réutilisation ou recyclage. En vous assurant que cet appareil est éliminé correctement, vous contribuez à éviter les conséquences potentiellement néfastes sur l'environnement et la santé. Veuillez contacter votre installateur ou les autorités locales pour plus d'information.

Les piles de la télécommande doivent être enlevées et éliminées séparément, conformément aux réglementations locales et nationales en vigueur.



DIAGRAMME D'INSTALLATION (AHQ71/100/125CV1)



INSTALLATION DE L'UNITÉ INTÉRIEURE (AHQ71/100/125CV1)

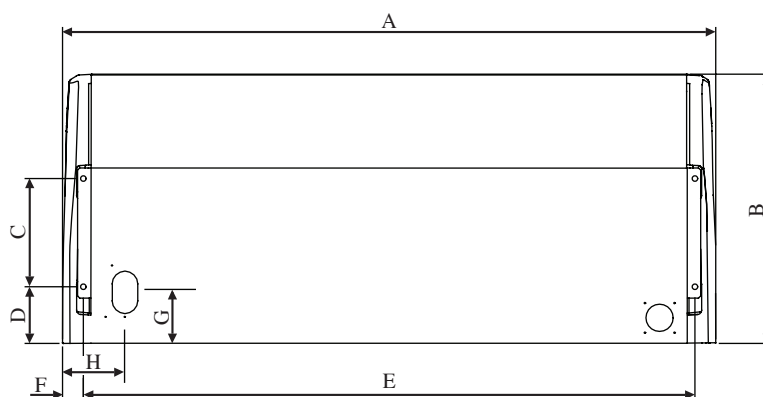
Etude Préliminaire Du Site

- La fluctuation de l'alimentation secteur ne doit pas dépasser $\pm 10\%$ de la tension nominale. Les lignes d'alimentation électrique doivent être indépendantes des transformateurs de soudage qui pourraient provoquer de fortes fluctuations d'alimentation.
- Assurez-vous que l'emplacement est pratique pour les câblages, la tuyauterie et l'évacuation.

Montage standard

Vérifier que les supports de plafond sont assez solides pour supporter le poids de l'appareil. Positionner les tiges de levage (support de montage mural pour installation au sol) et vérifier leur alignement avec l'appareil comme illustré dans la Schéma A. Vérifier également que les supports de suspension sont solidement ancrés et que la base du ventilateur est de niveau dans les deux sens horizontaux, tenant compte de l'inclinaison pour le flux d'évacuation tel que recommandé dans la Schéma B.

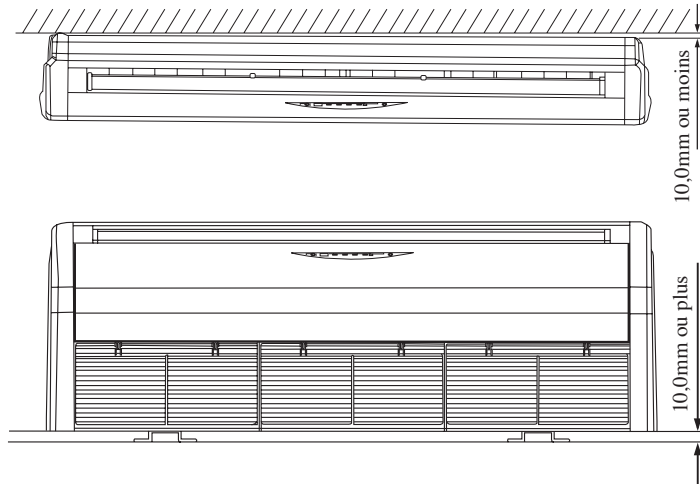
Schéma A



Toutes les dimensions sont données en mm

Modèle \ Dimension	A	B	C	D	E	F	G	H
AHQ71CV1	1320	635	255	134	1222	49	148	120
AHQ100CV1	1538	635	255	134	1440	49	148	120
AHQ125CV1	1786	635	255	134	1688	49	148	120

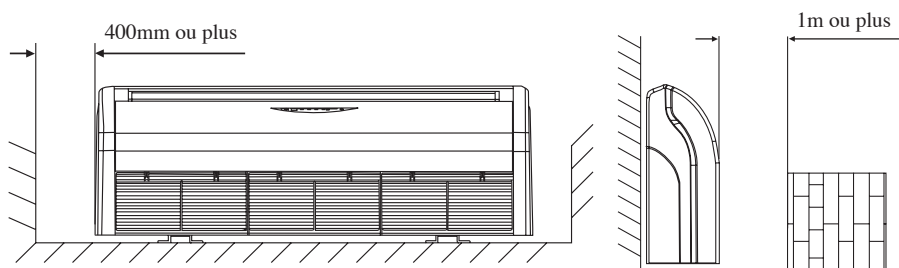
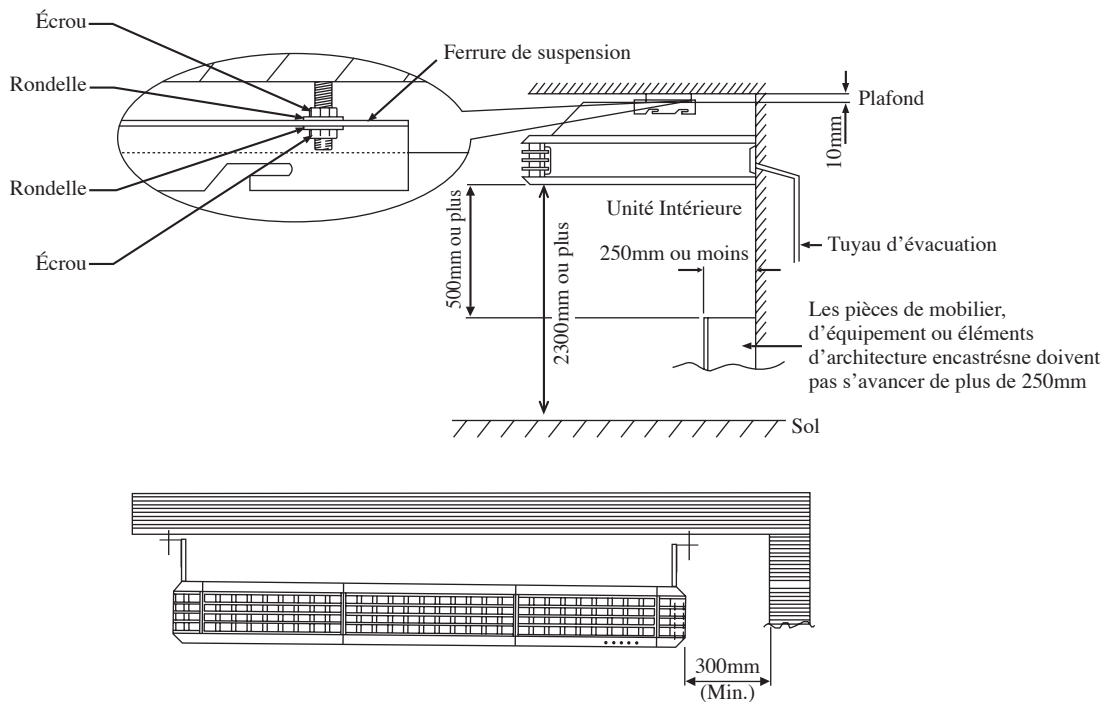
Schéma B



S'assurer que les étapes suivantes sont respectées :

- L'installation de l'unité devrait être faite inclinée d'au moins 10mm comme il est recommandé à la Schéma B.
- La pente du tuyau d'évacuation doit être d'au moins 1:100.
- Laisser un espace libre pour faciliter la maintenance et obtenir un flux d'air optimal, comme le montre la Schéma C.
- L'unité intérieure doit être installé de façon à ce qu'il n'y ait aucun court circuit entre l'air d'évacuation froid et l'air d'admission chaud.
- Ne pas installer l'unité intérieure dans un emplacement où il peut être exposé à la lumière directe du soleil. L'emplacement doit être adapté à l'installation des tuyauteries et de l'évacuation. L'appareil doit être très éloigné de la porte.

Schéma C



Type sol

INSTALLATION AU PLAFOND (AHQ71/100/125CV1)

Installer les boulons de suspension

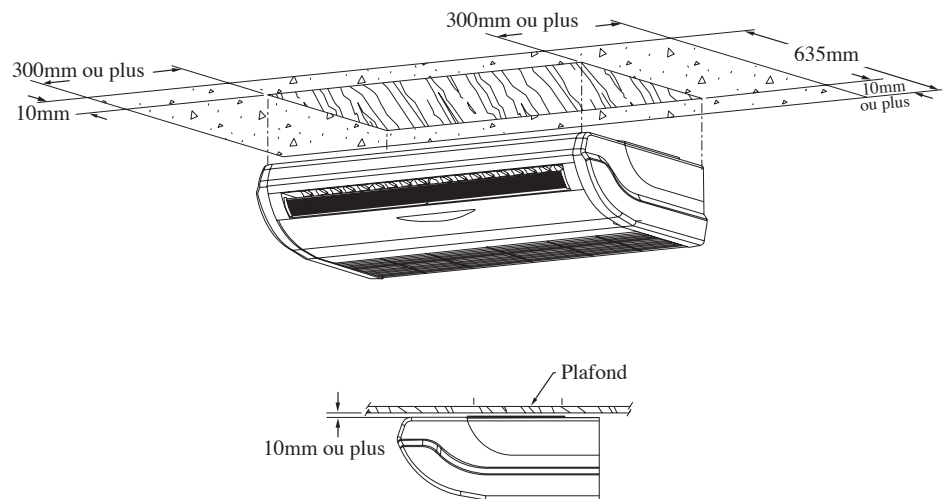
1. Installer les boulons de suspension pour qu'ils puissent soutenir l'unité intérieure.
2. Ajuster la distance par rapport au plafond avant l'installation.
3. Se référer aux dimensions indiquées pour installer l'unité.

Installer des unités intérieures

1. Insérer les boulons de suspension dans le raccord du support de crochet.
2. Placer les écrous et les rondelles de chaque côté des raccords métalliques.
3. Sécuriser avec les écrous.

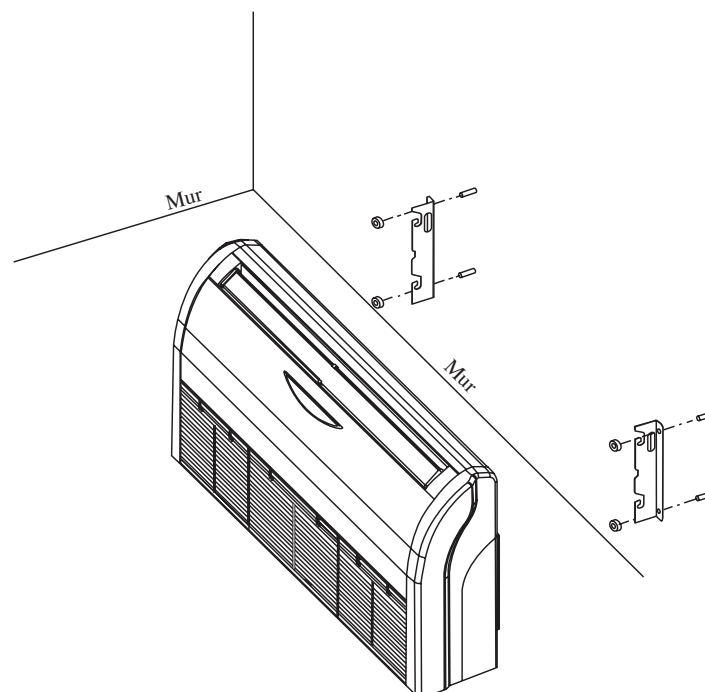
Installation de type plafond

Schéma D



Installation Type plancher

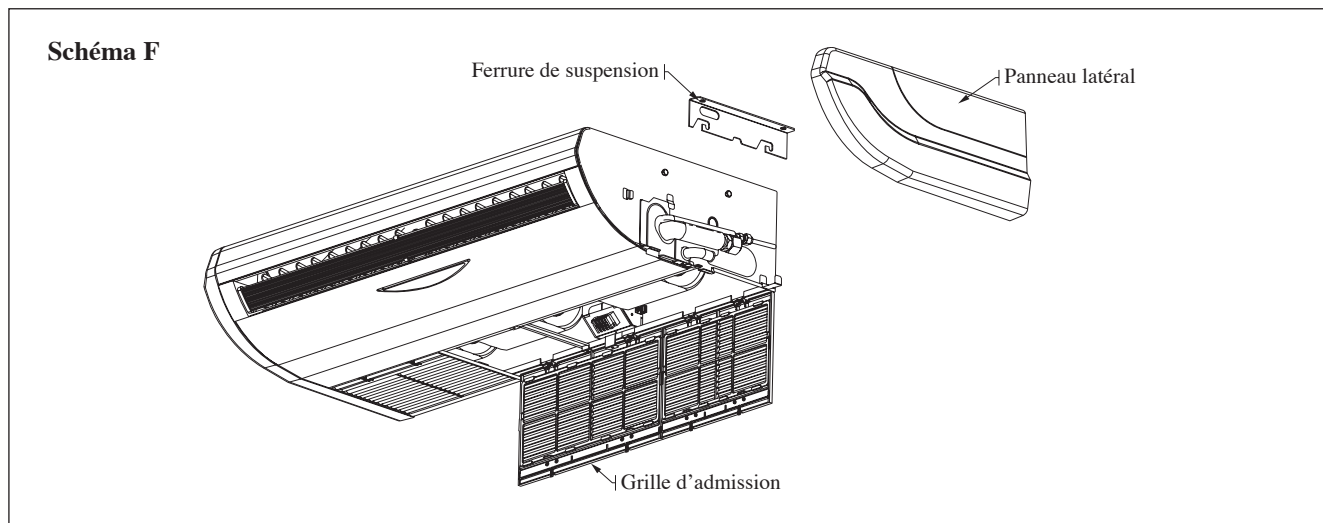
Schéma E



Installation – Type plafond exposé

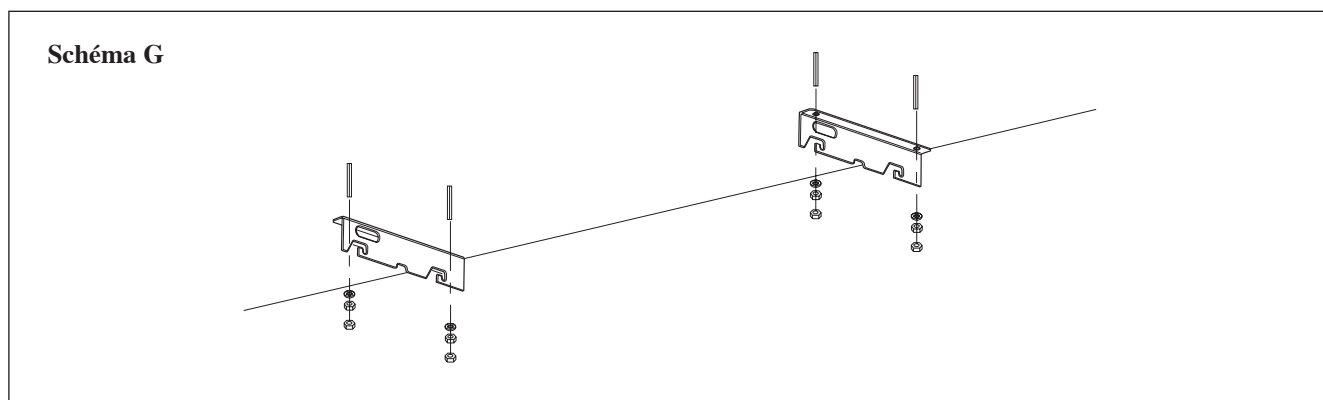
Étape 1

Retirez la grille d'admission d'air, le panneau latéral et la ferrure de suspension de l'unité. Référez-vous à la Schéma F.



Étape 2

Placez la tige de suspension comme indiqué dans la Schéma G et installez la ferrure de suspension.



Étape 3

Suspendez l'unité et serrez les boulons après avoir installé la tuyauterie et le tuyau d'évacuation. Référez-vous à la Schéma H. Enfin, installez la grille d'admission et le panneau latéral dans la bonne position. Référez-vous à la Schéma I.

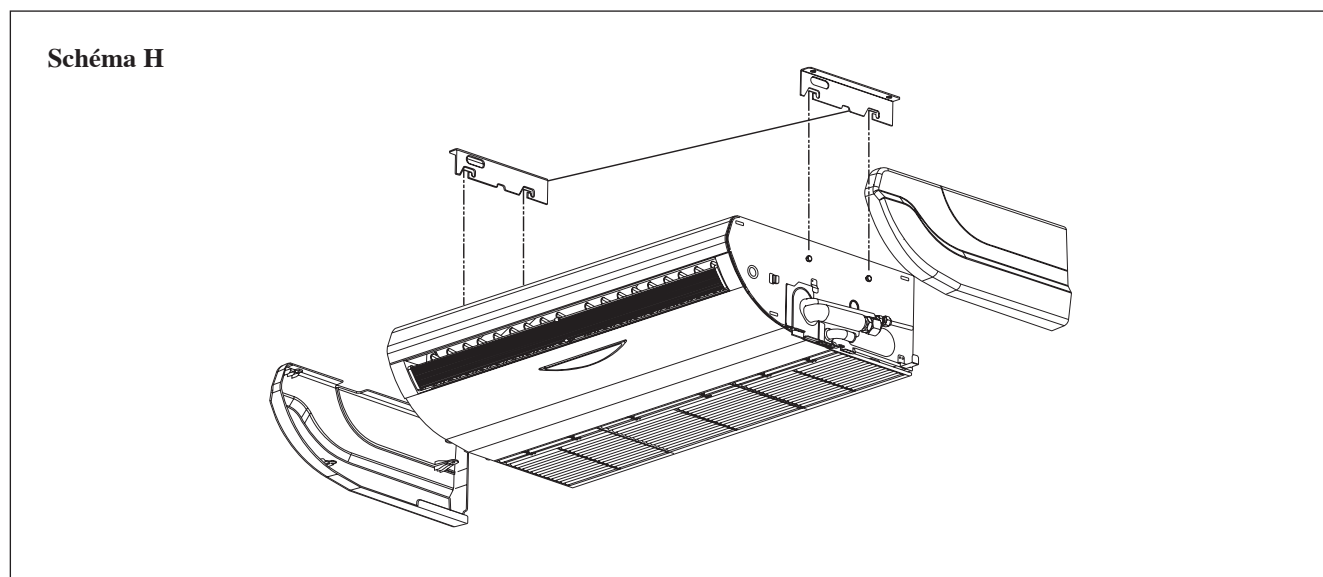
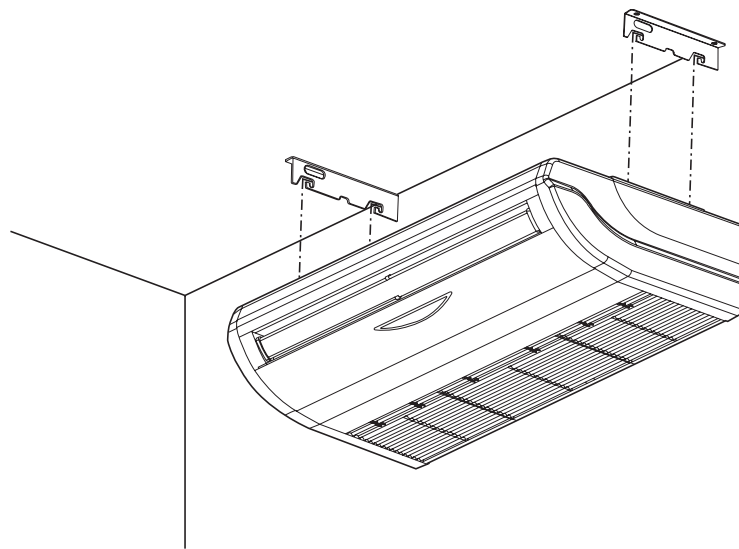
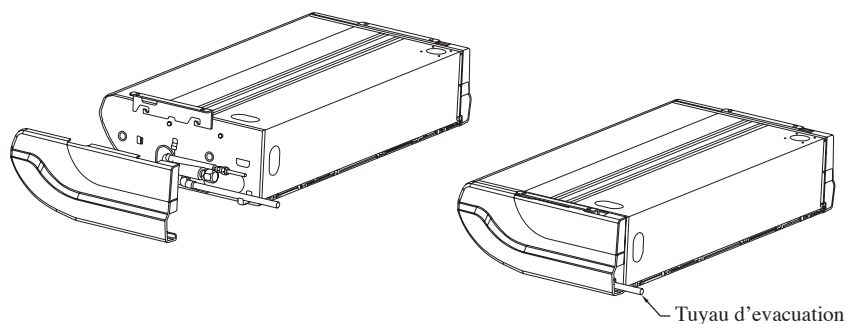


Schéma I



Installation de la tuyauterie et du tuyau d'évacuation

Schéma J



Étapes d'ouverture de la grille d'admission

1. Déverrouillez la vis fixée à la grille de verrouillage de bloc à l'aide d'un tournevis.
2. Retirez la grille de verrouillage de bloc et déverrouillez le verrou de la grille.
3. Consultez la Schéma K pour référence.

Schéma K

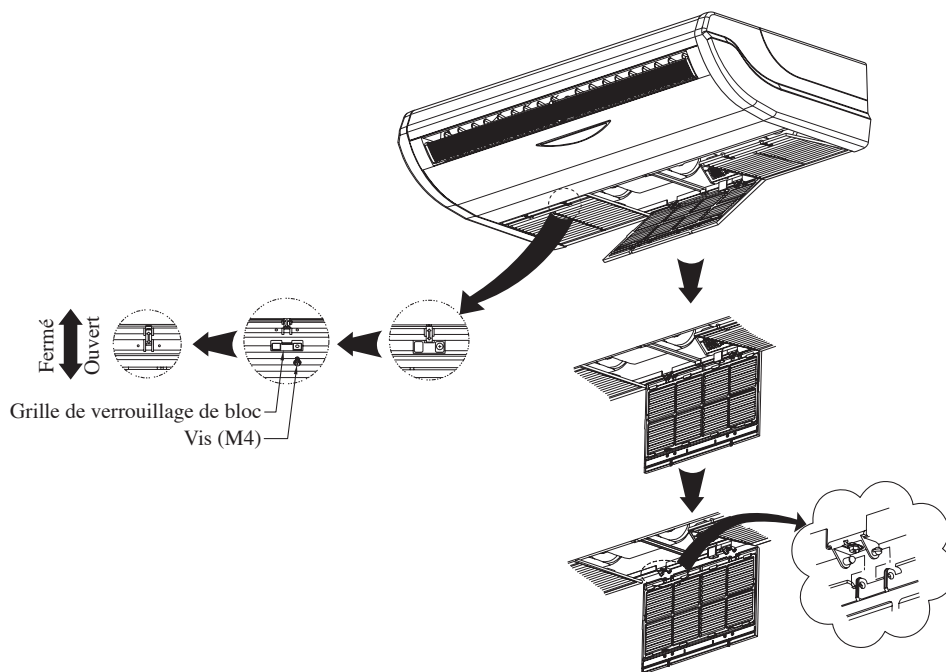
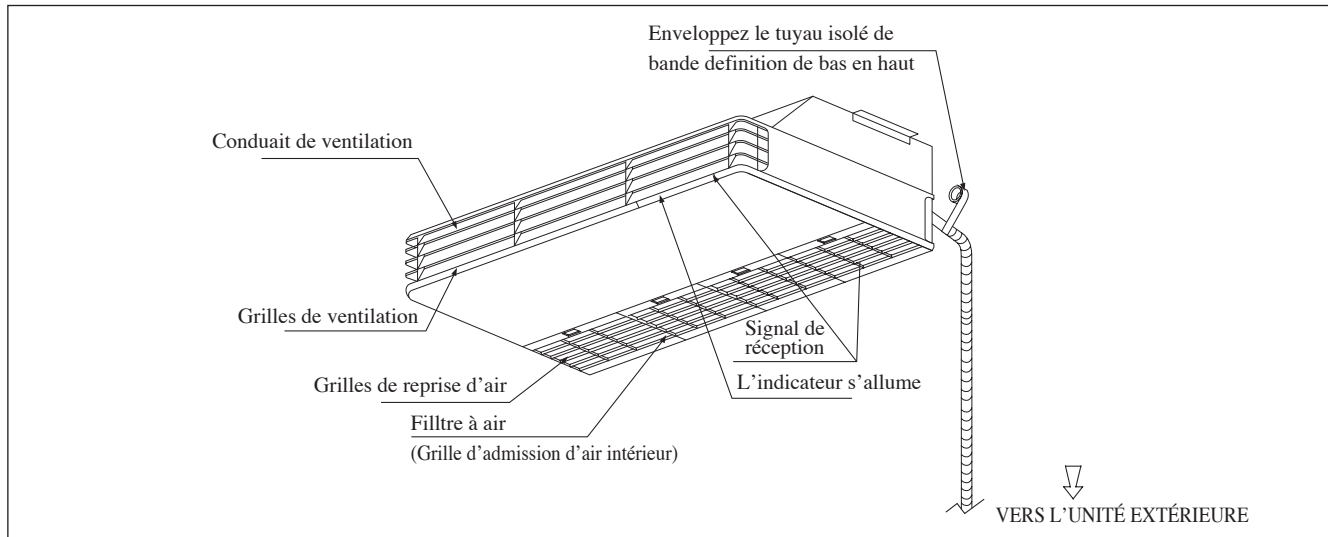


DIAGRAMME D'INSTALLATION (AHQ140CV1)



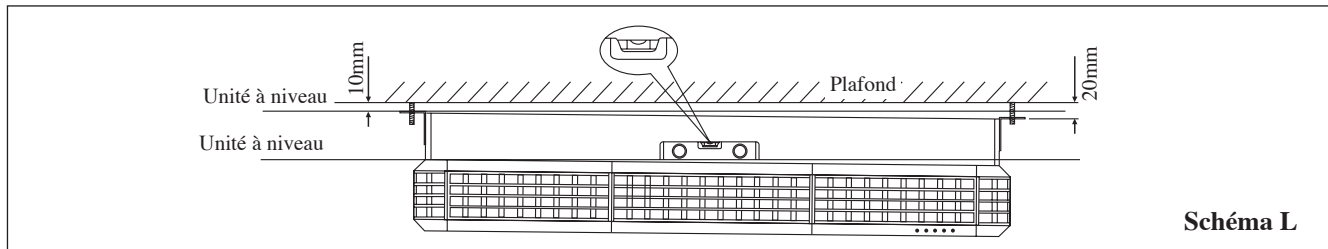
INSTALLATION DE L'UNITÉ INTÉRIEURE (AHQ140CV1)

Etude Préliminaire Du Site

- La fluctuation de l'alimentation secteur ne doit pas dépasser $\pm 10\%$ de la tension nominale. Les lignes d'alimentation électrique doivent être indépendantes des transformateurs de soudage qui pourraient provoquer de fortes fluctuations d'alimentation.
- Assurez-vous que l'emplacement est pratique pour les câblages et l'évacuation.

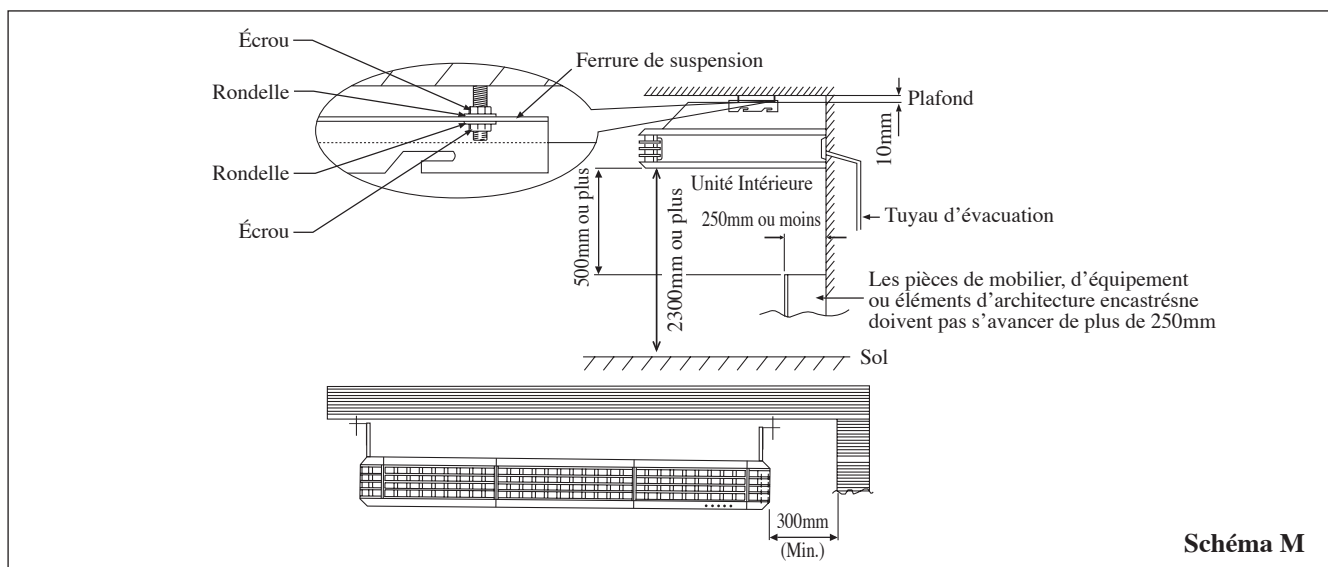
Montage standard

Vérifier que les supports de plafond sont assez solides pour supporter le poids de l'appareil. Positionner les tiges de suspension et vérifier qu'elles sont alignées sur l'unité. Vérifier également que les crochets sont sécurisés.



S'assurer que les étapes suivantes sont respectées :

- Installation de l'unité devrait être pivotée ou inclinée d'au moins 10mm comme il est indiqué à la Schéma L.
- La pente du tuyau d'évacuation doit être d'au moins 1:100.
- Laisser un espace libre pour faciliter la maintenance et obtenir un flux d'air optimal, comme le montre la Schéma M.
- L'unité intérieure doit être installée de façon à ce qu'il n'y ait aucun court circuit entre l'air d'évacuation froid et l'air d'admission chaud.
- Ne pas installer l'unité intérieure dans un emplacement où il peut être exposé à la lumière directe du soleil. L'emplacement doit être adapté à l'installation des tuyauteries et de l'évacuation. L'appareil doit être très éloigné de la porte.



INSTALLATION AU PLAFOND (AHQ140CV1)

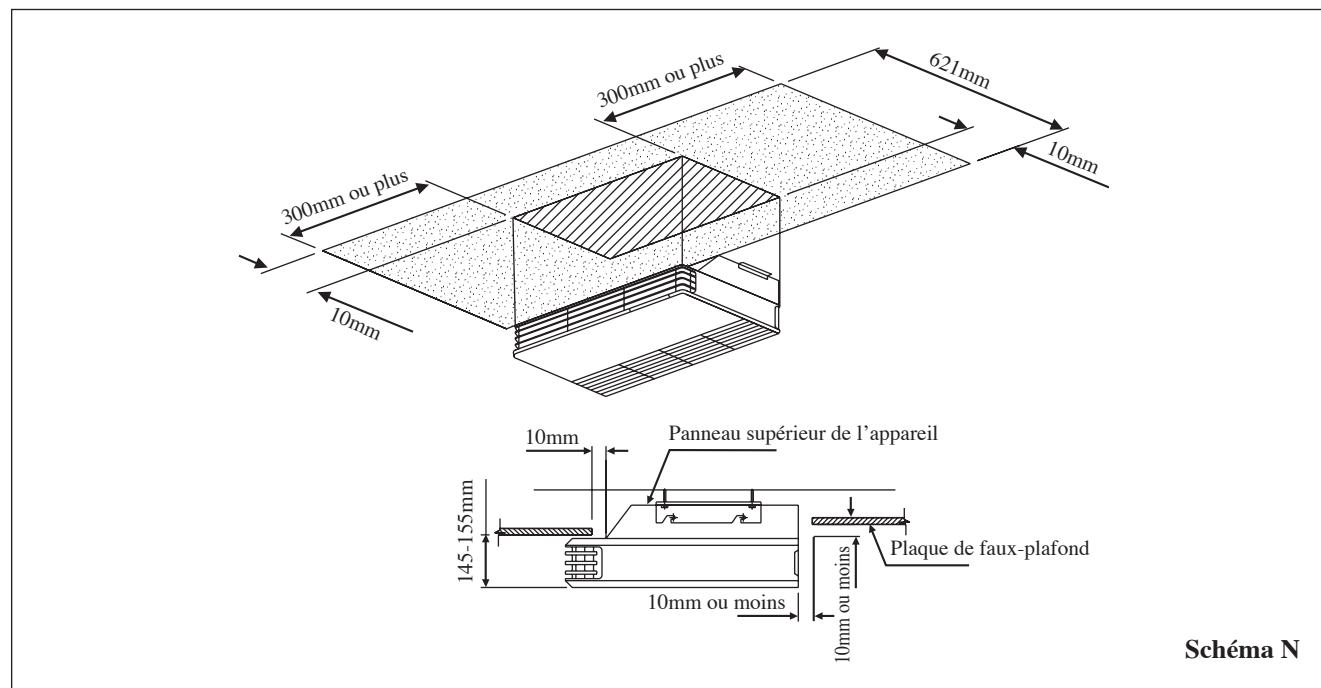
Installer les boulons de suspension

1. Installer les boulons de suspension pour qu'ils puissent soutenir l'unité intérieure.
2. Ajuster la distance par rapport au plafond avant l'installation.
3. Reportez-vous aux dimensions données à la Schéma N pour installer l'unité.

Installer des unités intérieures

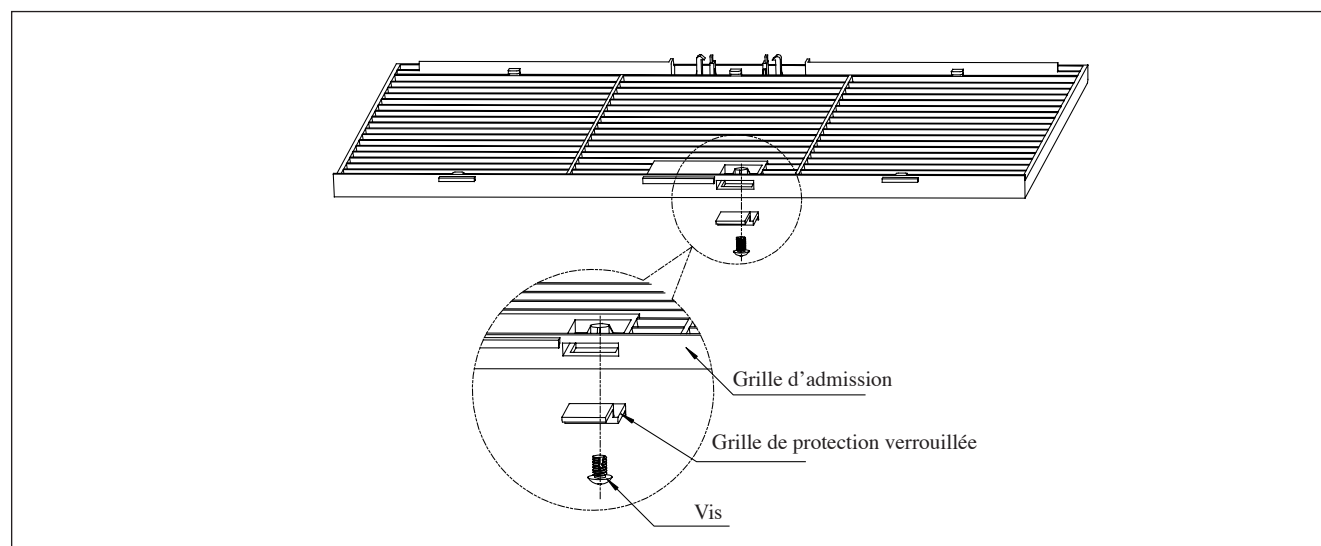
1. Insérer les boulons de suspension dans le raccord du support de crochet.
2. Placer les écrous et les rondelles de chaque côté des raccords métalliques.
3. Sécuriser avec les écrous.

Installation de type plafond



Grille de protection verrouillée (protection des pièces mobiles pour éviter le contact direct de l'utilisateur)

La grille de protection verrouillée doit être installée comme sur le schéma ci-dessous.

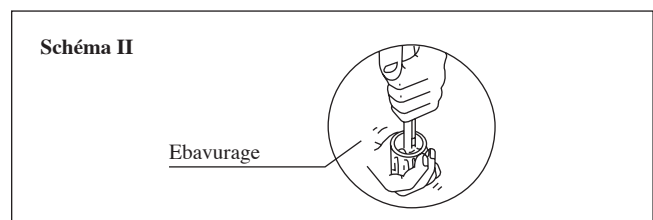
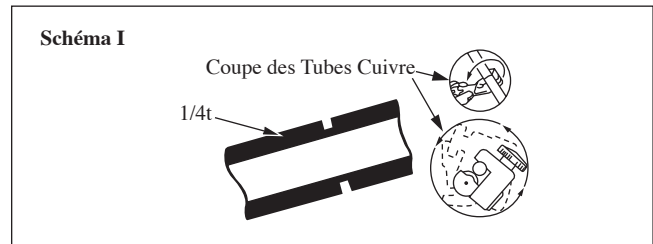


Si l'unité nécessite un entretien, les étapes ci-dessous doivent être suivies:

1. Assurez-vous que l'unité est hors tension avant d'entretenir l'unité.
2. Utilisez un tournevis pour retirer les vis de la grille de protection verrouillée.
3. Retirez la grille de protection verrouillée et ouvrez la grille d'admission pour l'entretien.
4. Installez la grille d'admission et vissez la grille de protection verrouillée après l'entretien, et vérifiez la bonne installation de l'unité.

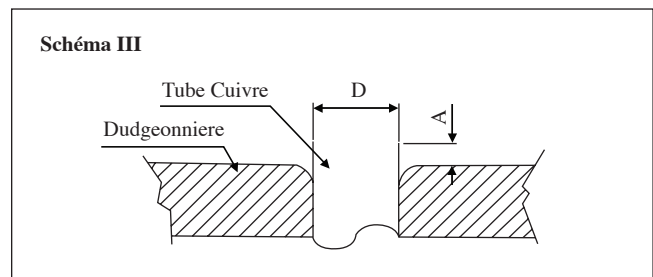
Travail Des Tuyaueries Et Technique Flare

- Ne pas utiliser de tuyauteries en cuivre encrassé ou endommagé. Si de la tuyauterie, un évaporateur ou un condensateur a été exposé ou a été ouvert pendant 15 secondes ou plus, le système doit être mis sous vide. D'une manière générale, ne pas retirer les bouchons en plastique ou caoutchouc et les écrous en laiton des vannes, raccords, tubes et serpentins jusqu'à ce que les tuyauteries d'aspiration ou de liquide soient prêtes à être raccordées aux vannes ou raccords.
- Si l'on doit effectuer un travail de soudage, s'assurer que l'azote passe par les serpentins et les joints durant le travail du soudage. Cela éliminera la formation de suie sur les parois internes des tuyauteries de cuivre.
- Couper les tuyaux progressivement, en faisant avancer la lame du coupe-tube lentement. Une force supplémentaire ou une coupe profonde vont déformer le tube davantage et ainsi causer plus de bavures. Voir Schéma I.
- Ebarber les bords coupés des tubes à l'aide d'un alésoir, comme le montre la Schéma II, pour éviter toutes irrégularités sur les faces évasées, qui risqueraient de causer des fuites de gaz. Pour éviter toutes irrégularités sur les faces évasées, qui risqueraient de causer des fuites de gaz. Tenir le tuyau en haut et l'ébarbeur à une position plus basse pour éviter que des morceaux de métal n'entrent dans le tuyau.
- Relier les écrous 'flare' montés sur les connexions des unités intérieure et extérieure aux tubes de cuivre.
- La longueur exacte de tube dépassant de la dudgonnière dépend du type de dudgonnière utilisé. Voir la Schéma III.
- Placer le tube fermement dans la dudgeonnière. Aligner les centres du moule arrondi et du poinçon d'évasement, puis serrer totalement le poinçon d'évasement.



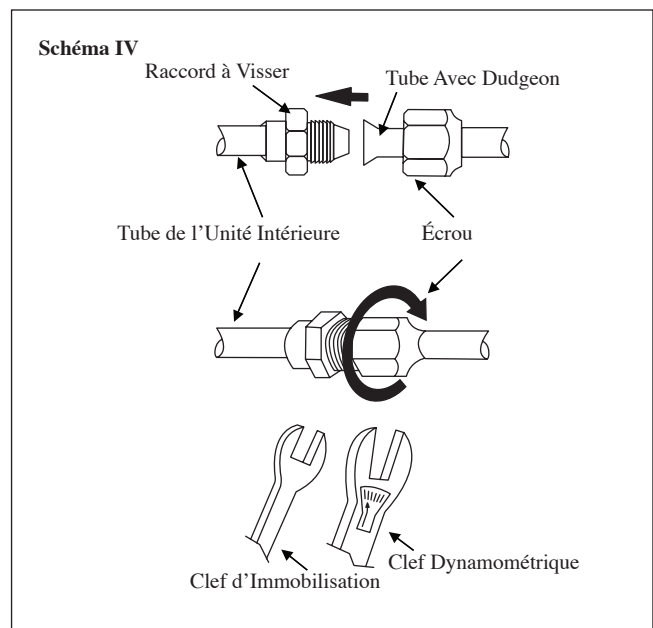
Raccordement de la tuyauterie aux unités

- Aligner le centre de la tuyauterie et serrer assez fort le raccord conique à la main. Voir la Schéma IV.
- Enfin, serrer l'écrou à l'aide d'une clef dynamométrique jusqu'au clic.
- En serrant l'écrou avec la clef dynamométrique, veiller à respecter le sens de la flèche indiquée sur la clef.
- Le raccordement du tuyau de réfrigérant doit être isolé par du polyuréthane à cellules fermées.

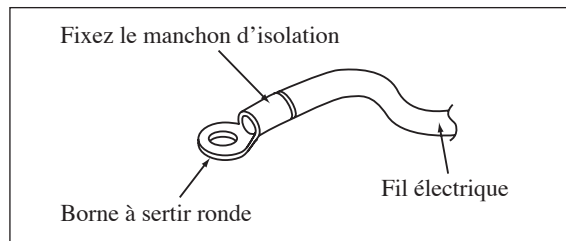


Tuyau (mm/pouce)	Couple (Nm/ft-lb)
6,35 (1/4")	18 (13,3")
9,52 (3/8")	42 (31,0")
12,70 (1/2")	55 (40,6")
15,88 (5/8")	65 (48,0")
19,05 (3/4")	78 (57,6")

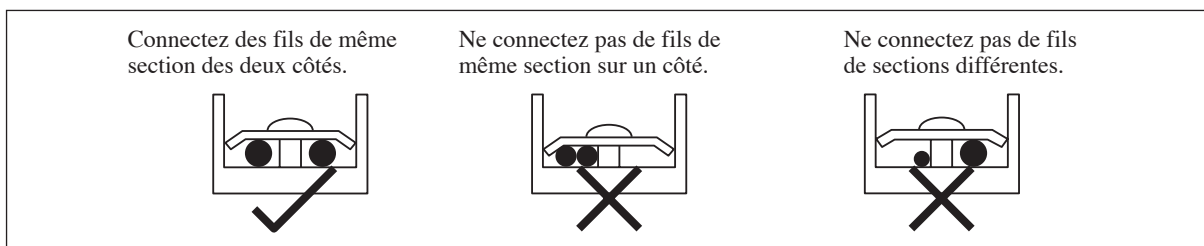
Ø Tube, D		A (mm)	
Pouce	mm	Impérial (Type d'écrou à oreilles)	Normal (Type d'embrayage)
1/4"	6,35	1,3	0,7
3/8"	9,52	1,6	1,0
1/2"	12,70	1,9	1,3
5/8"	15,88	2,2	1,7
3/4"	19,05	2,5	2,0



- Tous les fils doivent être fermement connectés.
- Aucun fil électrique ne doit toucher ni la tuyauterie du réfrigérant, ni le compresseur, ni les pièces mobiles du moteur de ventilation.
- Le câble de raccordement entre l'unité intérieure et l'unité extérieure doit être fixé à l'aide du collier fourni.
- Le cordon électrique doit être équivalent à H07RN-F au minimum.
- Les connecteurs et les câbles du répartiteur ne doivent subir aucune pression externe.
- Tous les couvercles doivent être correctement fixés pour éviter tout vide.
- Utilisez des bornes à sertir rondes pour la connexion des fils au bloc d'alimentation. Connectez les fils en les faisant correspondre aux indications du bornier. (Référez-vous au schéma de câblage apposé sur l'unité).



- Utilisez le bon tournevis pour serrer les vis du répartiteur. Utiliser un tournevis non adapté peut endommager la tête de la vis.
- Ne pas trop serrer sous peine d'endommager la vis de la borne.
- Ne connectez pas de fils de sections différentes au même répartiteur.
- Réalisez le câblage de façon ordonnée. Le câblage ne doit pas obstruer les autres pièces ni le couvercle du boîtier du répartiteur.



PRÉCAUTIONS SPÉCIALES EN TRAITANT L'UNITÉ DE R410A

R410A est un nouveau réfrigérant de HFC qui n'endommage pas la couche d'ozone. La pression de travail de ce nouveau réfrigérant est 1,6 fois supérieure à celle d'un réfrigérant conventionnel (R22), une installation appropriée et un bon entretien sont donc essentiels.

- Jamais réfrigérant de l'utilisation autre que R410A dans un climatiseur qui est conçu pour fonctionner avec R410A.
- De l'huile POE ou PVE est employée comme lubrifiant pour le compresseur de R410A, qui est différente de l'huile minérale utilisée pour le compresseur R22. Pendant l'installation ou l'entretien, des précautions supplémentaires doivent être prises pour ne pas exposer le système de R410A trop long à l'air moite. L'huile résiduelle de POE ou de PVE dans la tuyauterie et les composants peuvent absorber l'humidité de l'air.
- Pour empêcher mischarging, le diamètre du port de service sur la valve de fusée est différent de celui de R22.

- Employez les outils et les matériaux exclusivement pour le réfrigérant R410A. Les outils exclusivement pour R410A sont valve diverse, tuyau de remplissage, indicateur de pression, détecteur de fuite de gaz, outils de fusée, clé dynamométrique, pompe de vide et cylindre de réfrigérant.
- Car un climatiseur de R410A encourt une pression plus élevée que les unités R22, il est essentiel de choisir les pipes de cuivre correctement. Jamais diluant de cuivre de pipes d'utilisateur que 0,8mm quoiqu'ils soient disponibles sur le marché.
- Si le gaz de réfrigérant fuit pendant l'installation/servicing, soyez sûr d'aérer entièrement. Si le gaz réfrigérant entre en contact avec le feu, un gaz toxique peut se produire.
- En installant ou en enlevant un climatiseur, ne laissez pas l'air ou l'humidité rester dans le cycle réfrigérant.

TIRAGE AU VIDE ET CHARGE

Aspirer est nécessaire pour éliminer toute humidité et air du système.

Aspiration sous vide des tuyauteries et de l'unité intérieure

L'unité intérieure et les tuyaux de raccordement doivent être purgés car l'air restant dans le cycle frigorifique contient de l'humidité et est susceptible de provoquer un dysfonctionnement du compresseur.

- Enlever le bouchon central, ainsi que le bouchon de la prise de pression sur chaque vanne.
- Raccorder le centre de la jauge de chargement à la pompe à vide.
- Raccorder la jauge de chargement à l'orifice de service de la valve à trois voies.

- Démarrer la pompe à vide. Évacuer pendant environ 30 minutes. La période d'évacuation varie selon la capacité de la pompe à vide. S'assurer que l'aiguille de la jauge de chargement se soit déplacée vers -760mmHg.

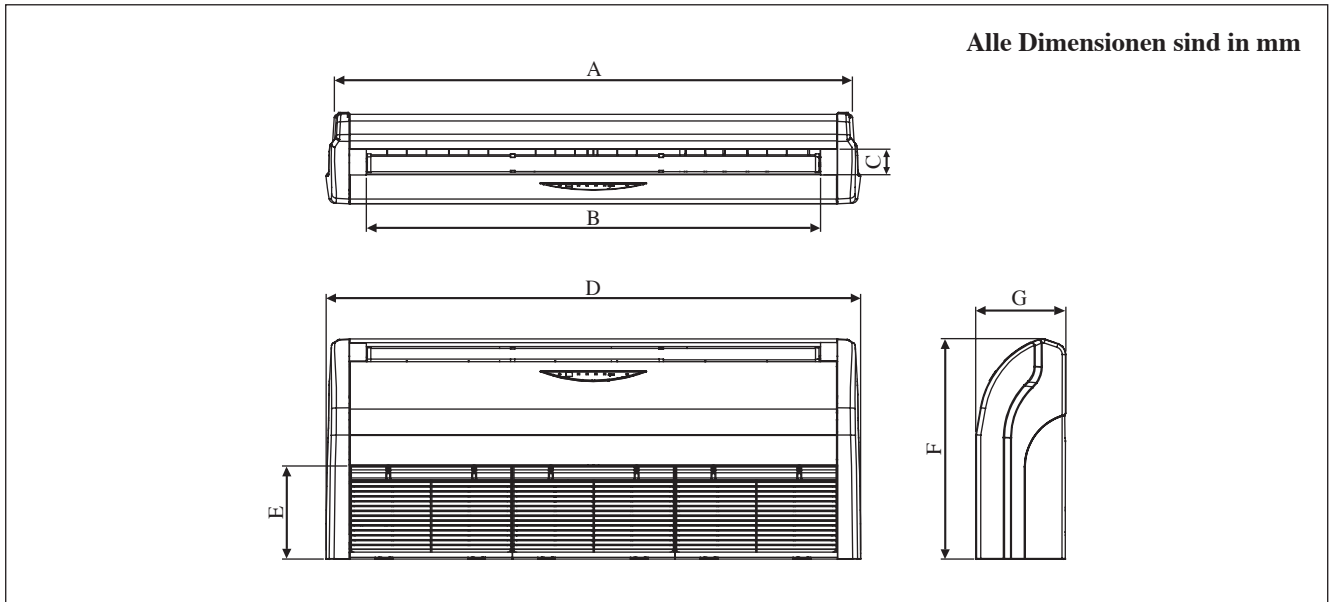
Avvertissement

- Si l'aiguille de la jauge ne se déplace pas vers -760mmHg, vérifier qu'il n'y ait pas de fuite de gaz (à l'aide d'un détecteur de gaz) au niveau des raccordements évasés des unités intérieures et extérieures, puis réparer la fuite avant de passer à l'étape suivante.
- Fermer la valve de la jauge de chargement et éteindre la pompe à vide.

LE MÉMO

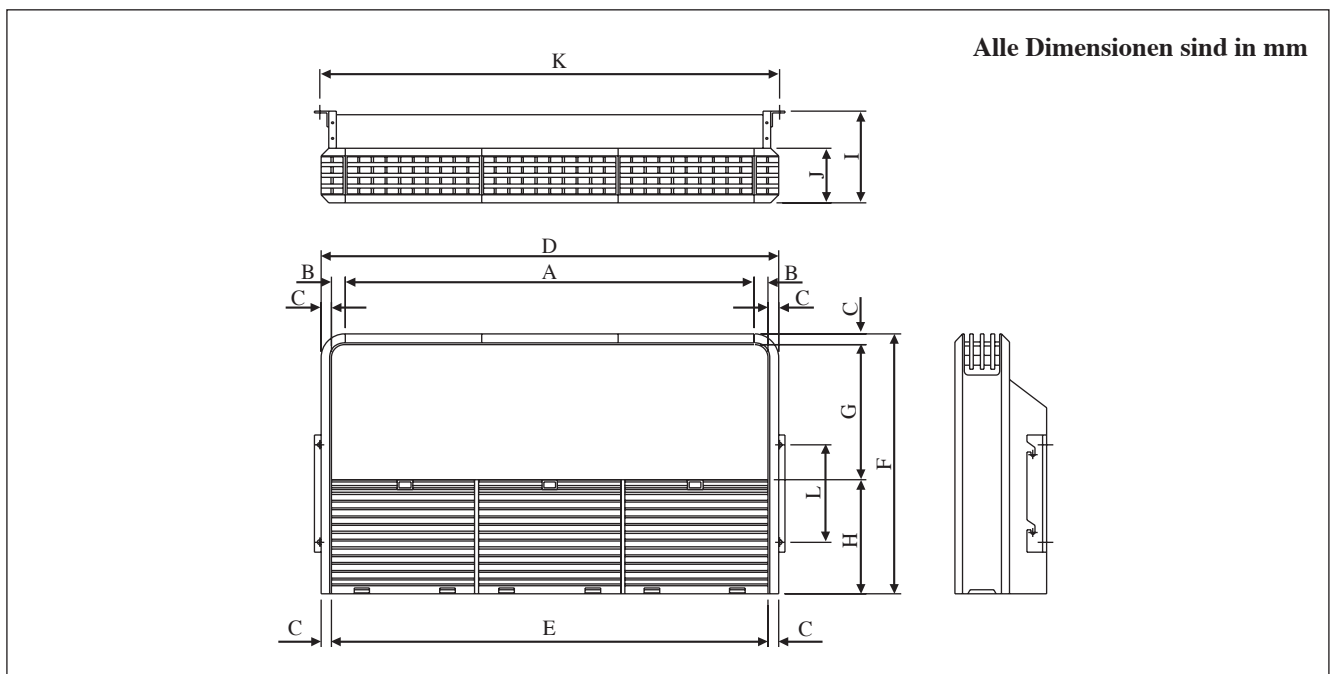
AUSLEGUNG UND ABMESSUNGEN

Innen-Gerät AHQ71/100/125CV1



Abmessung Modell	A	B	C	D	E	F	G
AHQ71CV1	1272	1088	74	1320	268	635	259
AHQ100CV1	1490	1308	74	1538	268	635	259
AHQ125CV1	1738	1556	74	1786	268	635	259

Innen-Gerät AHQ140CV1



Abmessung Modell	A	B	C	D	E	F	G	H	I	J	K	L
AHQ140CV1	1750	40	36	1903	1830	680	352	292	285	140	1880	250

INSTALLATIONSHANDBUCH

Das vorliegende Handbuch enthält die Installationsanweisungen für einen sicheren und ordnungsgemäßen Betrieb dieser Anlage.

Je nach den örtlichen Gegebenheiten können spezielle Anpassungen notwendig sein.

Vor der Inbetriebnahme des Klimagerätes dieses Handbuch bitte aufmerksam zur Kenntnis nehmen und für künftigen Bedarf aufbewahren.

Dieses Gerät für den Betrieb durch Fachleute oder geschulte Benutzer in Geschäften, der Leichtindustrie und in landwirtschaftlichen Betrieben sowie für gewerbliche Zwecke durch Laien ausgelegt.

Das Gerät ist nicht konzipiert, um von folgenden Personengruppen einschließlich Kindern benutzt zu werden: Personen mit eingeschränkten körperlichen, sensorischen oder geistigen Fähigkeiten oder Personen mit mangelhafter Erfahrung oder Wissen, es sei denn, sie sind von einer Person, die für ihre Sicherheit verantwortlich ist, darin unterwiesen worden, wie das Gerät ordnungsgemäß zu verwenden und zu bedienen ist.

Kinder sollten beaufsichtigt werden, um sicher zu sein, dass sie nicht mit dem Gerät spielen.





VORSICHTMASSNAHMEN

ACHTUNG

- Die Installation und Wartung muß durch qualifiziertes Personal erfolgen. Welches mit den örtlichen Bestimmungen und diesem Ausrüstungstyp vertraut ist.
- Die gesamte E-Verkabelung hat in Übereinstimmung mit den landesspezifischen Anschlußvorschriften zu erfolgen.
- Vor dem Kabelanschluß gemäß Schaltbild ist sicherzustellen, daß die Betriebsspannung mit der auf dem Datenschild des Gerätes angegebenen Spannung übereinstimmt.
- Das Gerät ist zum Schutz gegen fehlerhafte Isolierungen und entsprechende Risiken zu ERDEN.
- Die Kabel dürfen weder mit der Kühlmittelleitung, noch mit den beweglichen Teilen der Gebläsemotoren in Berührung kommen.
- Vor der Installation oder Wartung der Anlage ist sicherzustellen, daß das Gerät ausgeschaltet ist (OFF).
- Ziehen Sie vor der Wartung der Klimaanlage den Stecker aus der Steckdose.
- NICHT das Stromkabel herausziehen, wenn das Gerät noch eingeschaltet ist. Ein elektrischer Schlag oder ein Wohnungsbrand kann die Folge sein.
- Halten Sie Innen- und Außengerät mindestens 1m entfernt von Fernsehern und Rundfunkgeräten, um verzerrte Bilder und statische Entladungen zu vermeiden. {abhängig von Type und Quelle der elektrischen Wellen, können statische Entladungen auch noch hörbar sein bei Abständen von mehr als 1m}.

VORSICHT

Vor der Installation sind folgende wichtige Punkte zu prüfen.

- **Gerät nicht installieren, falls ein Leck entzündbaren Gases festgestellt wird.**
 Es besteht Feuergefahr, wenn Gas aus der Anlage entweicht und sich in der Umgebung ansammelt.
- **Die Kondensat-Abflußleitung muß sachgemäß angeschlossen sein.**
 Ist die Abflußleitung nicht richtig angeschlossen, besteht Gefahr, daß durch auslaufendes Wasser das Mobiliar feucht wird.
- **Gerät nicht überlasten.**
Das Gerät ist werkseitig vorgefüllt.
 Im Falle einer Überfüllung besteht die Gefahr einer Überbelastung oder sonstigen Beschädigung des Kompressors.
- **Nach Installation oder Wartung ist sicherzustellen, daß die Geräteabdeckung wieder montiert ist.**
 Eine mangelhafte Befestigung der Abdeckung führt zu Geräusentwicklung während des Betriebs.
- **Scharfe Kanten und Wärmetauscherflächen stellen eine Gefahrenquelle dar. Jeglicher Kontakt mit diesen Stellen ist zu vermeiden.**
- **Vor Abschalten der Stromzufuhr muss der ON/OFF-Schalter der Fernbedienung auf „OFF“ gestellt werden, um eine versehentliche Fehleinstellung zu vermeiden.** Andernfalls schaltet sich bei Wiederherstellung der Stromzufuhr das Kühlgebläse automatisch wieder ein und kann somit für den Benutzer oder Wartungspersonal ein unerwartetes Risiko darstellen.
- **Keine Heizgeräte zu dicht bei der Klimaanlage einschalten.** Dies kann zur Folge haben, dass die Kunststoffabdeckung durch zu große Wärme schmilzt oder beschädigt wird.
- Die Geräte dürfen nicht bei oder in der Nähe von Türen installiert werden.
- **Betreiben Sie keine Heizgeräte in direkter Nähe des Klimagerätes, und verwenden Sie das Gerät nicht in Räumen, in denen es Mineralölen, Öldämpfen oder -nebel ausgesetzt ist, da dies zu einem Schmelzen oder einer Verformung der Plastikbestandteile aufgrund von Hitze oder chemischer Reaktion führen könnte.**
- Sollte das Gerät in einer Küche eingesetzt werden, so achten Sie bitte darauf, dass kein Mehlstaub eingesaugt werden kann.
- Dieses Gerät ist nicht für den Einsatz in Fabriken geeignet, in denen es zur Entwicklung von Öldämpfen oder Eisenstaub kommt, bzw. In denen es zu starken Stromschwankungen kommen kann.
- Das Gerät eignet sich nicht zur Installation in der Nähe von Heißquellen oder Raffinerien, wo Sulfidgase entstehen können.
- Sorgen Sie dafür, dass die Farben der Drähte des Außengerätes und der Anschlussmarkierungen dieselbe sind wie die Übereinstimmende des Innengerätes.
- **WICHTIG: DAS KLIMAGERÄT SOLLTE NICHT IN EINEM WÄSCHERAUM INSTALLIERT ODER BENUTZT WERDEN.**
- Verwenden Sie zur Stromversorgung keine zusammengefügt und geknickte Kabel.
- Vermeiden Sie direkten Kontakt der Plastikteile mit den Reinigern für die Wärmetauscher. Die Plastikteile können sich aufgrund chemischer Reaktionen verformen.
- Bei Fragen zu Ersatzteilen wenden Sie sich bitte an einen autorisierten Händler.
- Das Gerät ist nicht zur Verwendung in einer potentiell explosiven Atmosphäre konzipiert.

BEMERKUNG

Vorschriften zur Entsorgung

Ihre Klimaanlage ist mit diesem Symbol gekennzeichnet. Das bedeutet, dass elektrische und elektronische Produkte nicht mit unsortiertem Haushaltsabfall entsorgt werden dürfen.

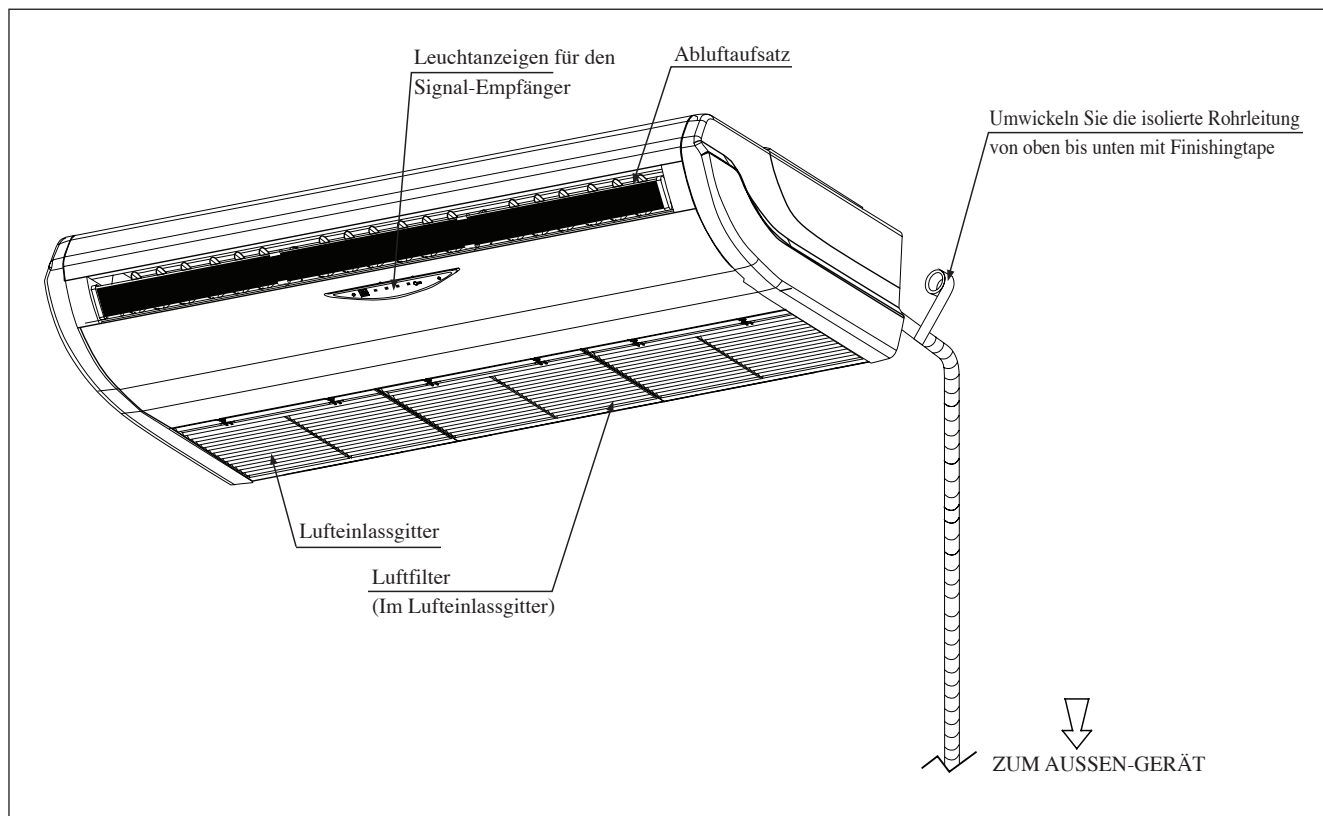
Versuchen Sie auf keinen Fall das System selbst zu demontieren. Die Demontage des Klimaanlage systems sowie die Handhabung von Kältemittel, Öl und möglichen weiteren Teilen muss von einem qualifizierten Monteur gemäß den entsprechenden örtlichen und staatlichen Bestimmungen vorgenommen werden.

Klimaanlagen müssen bei einer fachkundigen Einrichtung für Wiederverwendung, Recycling und Wiedergewinnung aufbereitet werden. Indem Sie dieses Produkt korrekt entsorgen, helfen Sie potenzielle negative Folgen für die Umwelt und die Gesundheit der Menschen zu vermeiden. Nehmen Sie bitte hinsichtlich weiterer Informationen Kontakt auf mit dem Monteur oder den örtlichen Behörden.

Die Batterien müssen aus der Fernbedienung entfernt werden und gemäß den entsprechenden örtlichen und staatlichen Vorschriften separat entsorgt werden.



INSTALLATIONSDIAGRAMM (AHQ71/100/125CV1)



Deutsch

INSTALLATION DES INNENGERÄTES (AHQ71/100/125CV1)

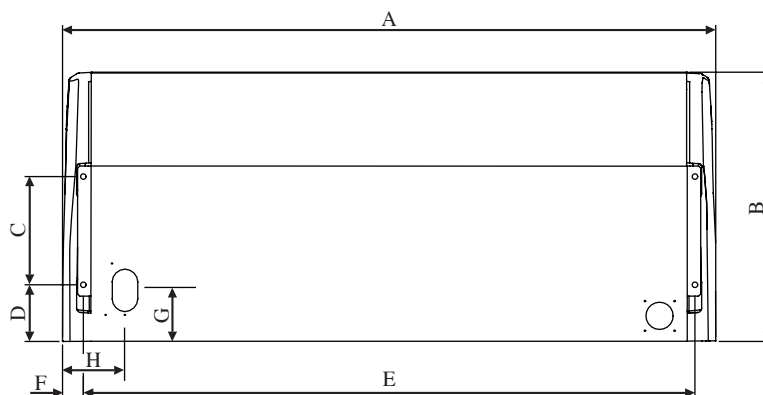
Vorbereitende Massnahmen

- Netzspannungsschwankungen dürfen nicht um mehr als $\pm 10\%$ von der Nennspannung abweichen. Die Stromleitungen müssen vom Aufschweißen von Transformatoren, wodurch bei der Stromversorgung hohe Schwankungen entstehen können, abhängig sein.
- Achten Sie darauf, daß der Installationsort für die Verkabelung, die Rohrleitungsführung und die Ablaufleitungen geeignet ist.

Standard-Montage

Prüfen Sie, ob die Overhead-Stützen stark genug sind, um das Gewicht des Gerätes zu tragen. Bringen Sie den Aufhänger (Klemme für die Wandmontage für das Stehen auf dem Boden) an und prüfen Sie die Ausrichtung des Gerätes wie in Abbildung A dargestellt. Prüfen Sie auch, ob die Aufhänger fest sind und der Sockel der Ventilatorspule in beide horizontale Richtungen positioniert ausgerichtet ist. Dabei ist das Gefälle der Drainage wie in Abbildung B zu berücksichtigen.

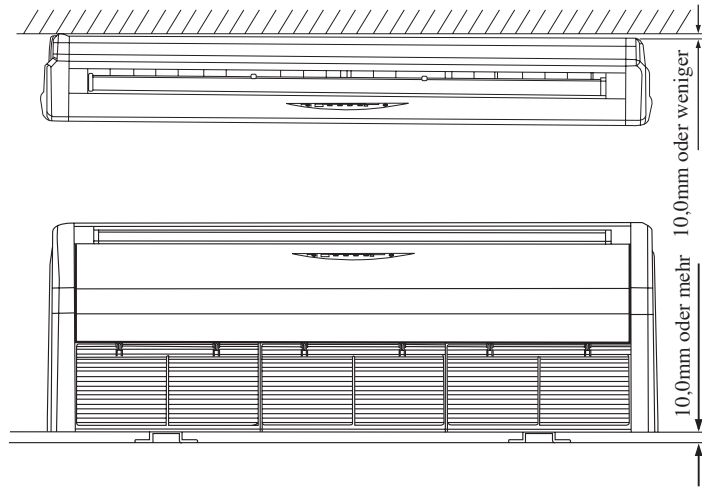
Abbildung A



Alle Dimensionen sind in mm

Abmessung Modell	A	B	C	D	E	F	G	H
AHQ71CV1	1320	635	255	134	1222	49	148	120
AHQ100CV1	1538	635	255	134	1440	49	148	120
AHQ125CV1	1786	635	255	134	1688	49	148	120

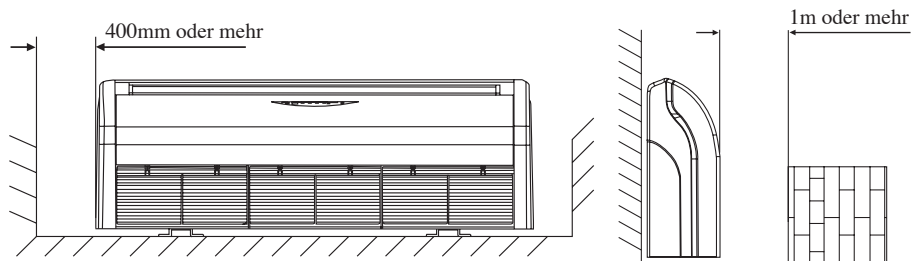
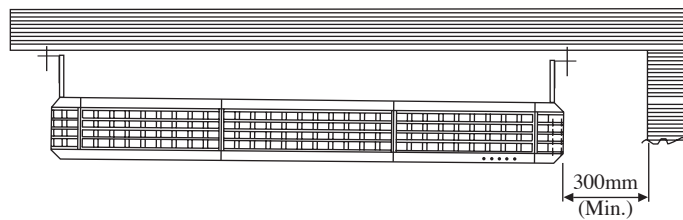
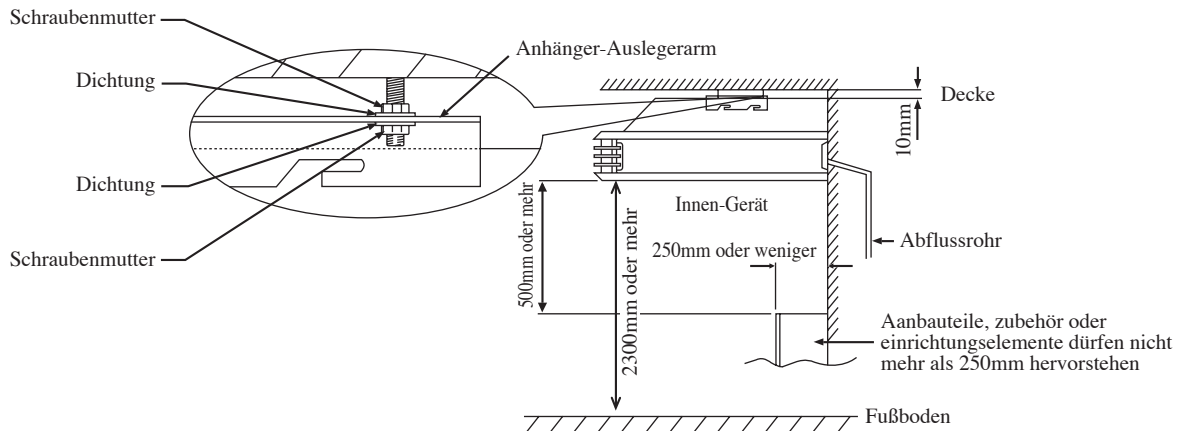
Abbildung B



Gehen Sie dabei wie folgt vor:

- Das Gerät muss mit einem Mindestzwischenraum von 10mm installiert werden, wie in Abbildung B empfohlen.
- Das Gefälle des Abflussrohrs sollte auf einem Wert von mindestens 1:100 gehalten werden.
- Lassen Sie Spielraum für eine einfache Wartung und eine optimale Luftzirkulation Abbildung C.
- Das Innen-Gerät muss so montiert werden, dass kein Kurzschluss zwischen der kalten und warmen Luft entsteht.
- Montieren Sie das Innen-Gerät nicht an einer Stelle, an der es direktem Sonnenlicht ausgesetzt ist. Der Ort sollte für das Verlegen von Leitungen und Drainagerohren geeignet sein. Das Gerät muss einen großen Abstand zur Tür haben.

Abbildung C



Gerät für den Boden

UNTERDECKENMONTAGE (AHQ71/100/125CV1)

Die Suspensionsbolzen installieren

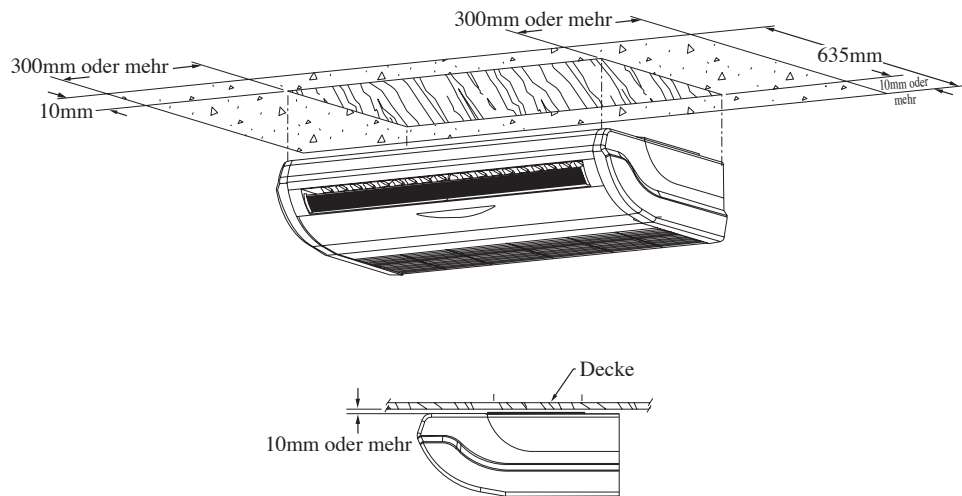
1. Die Suspensionsbolzen so anbringen, dass diese das Innen-Gerät tragen können.
2. Bevor Sie mit der Montage beginnen, den Abstand zur Decke anpassen.
3. Beachten Sie die angegebenen Dimensionen, um dieses Gerät zu montieren.

Die Innen-Geräte installieren

1. Die Suspensionsbolzen in das Anschlussstück der Aufhängeträger einsetzen.
2. Die Muttern und Unterlegscheibe auf beiden Seiten der Metallbeschläge anbringen.
3. Mit Muttern absichern.

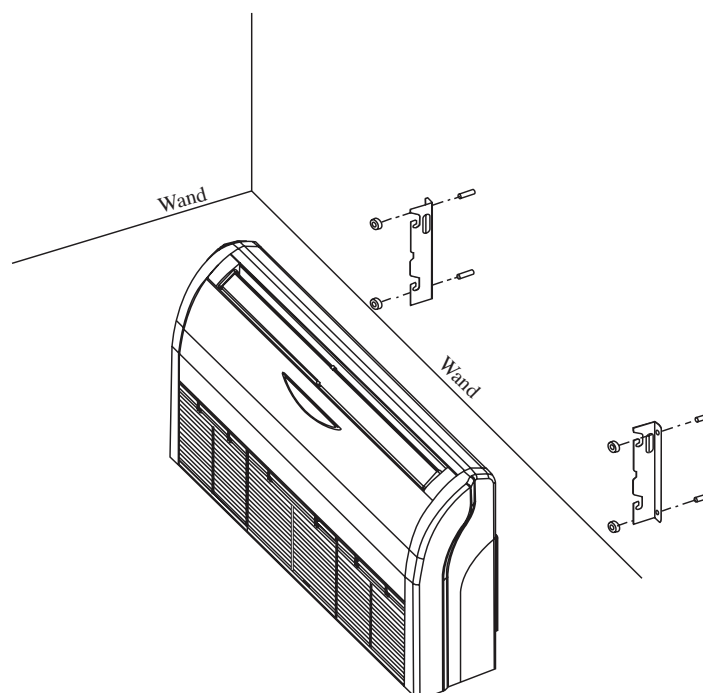
Montage des Deckengerätes

Abbildung D



Montage-Boden Typ

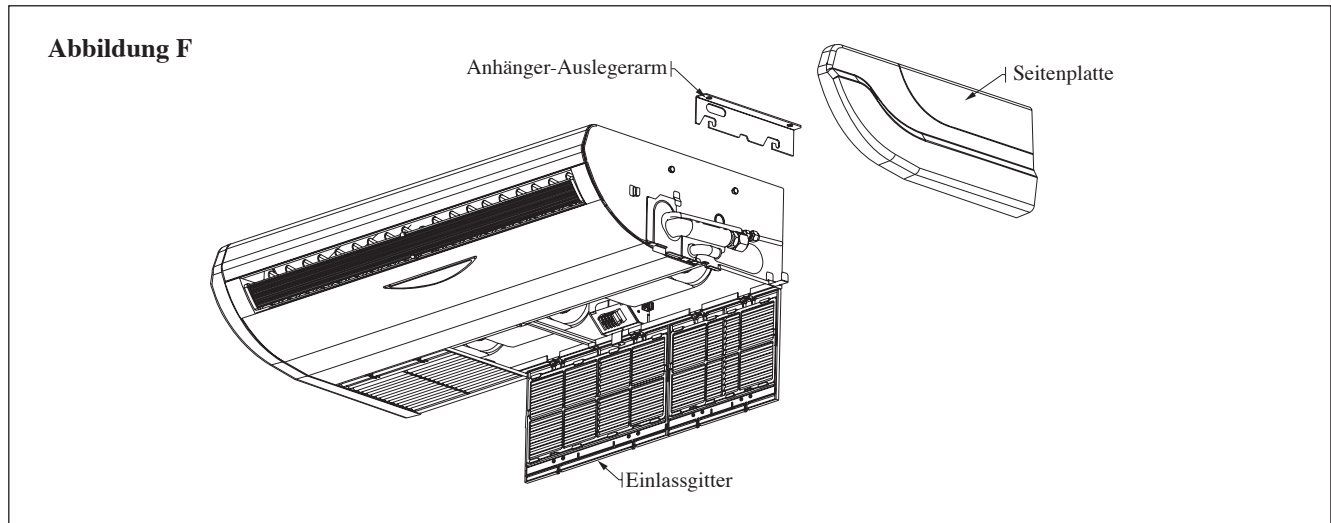
Abbildung E



Montage - Decke freiliegender Typ

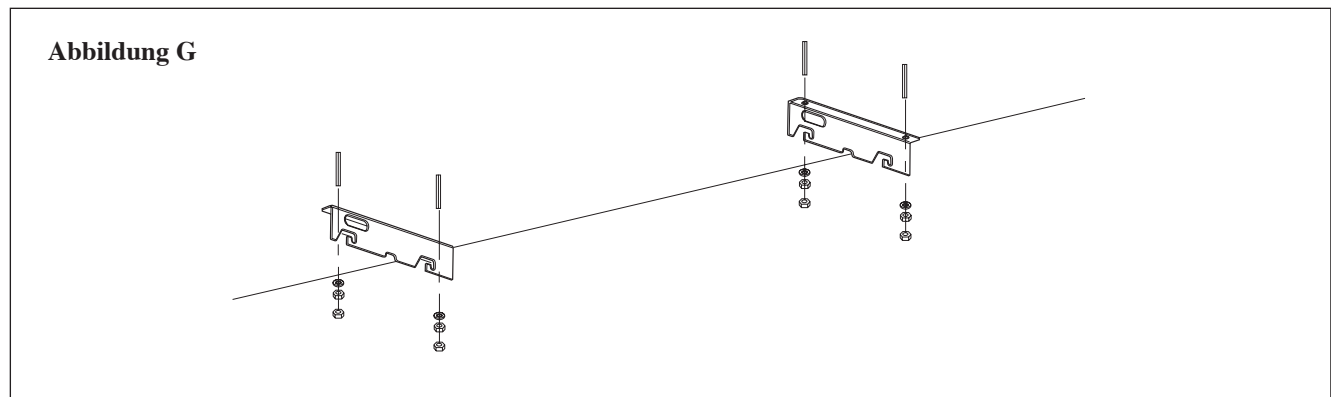
Schritt 1

Einlass-Gitter für Abluft, Seiten-Panele und Anhänger-Auslegerarm. Siehe Abbildung F.



Schritt 2

Positionieren Sie die Anhängerstange wie in Abbildung G dargestellt und montieren Sie den Auslegerarm des Anhängers.



Schritt 3

Hängen Sie die Einheit ein und ziehen Sie die Bolzen nach der Verlegung der Rohr- und Drainageleitungen fest. Siehe Abbildung H.

Montieren Sie schließlich das Einlassgitter und die Seitenplatte in der richtigen Stellung. Siehe Abbildung I.

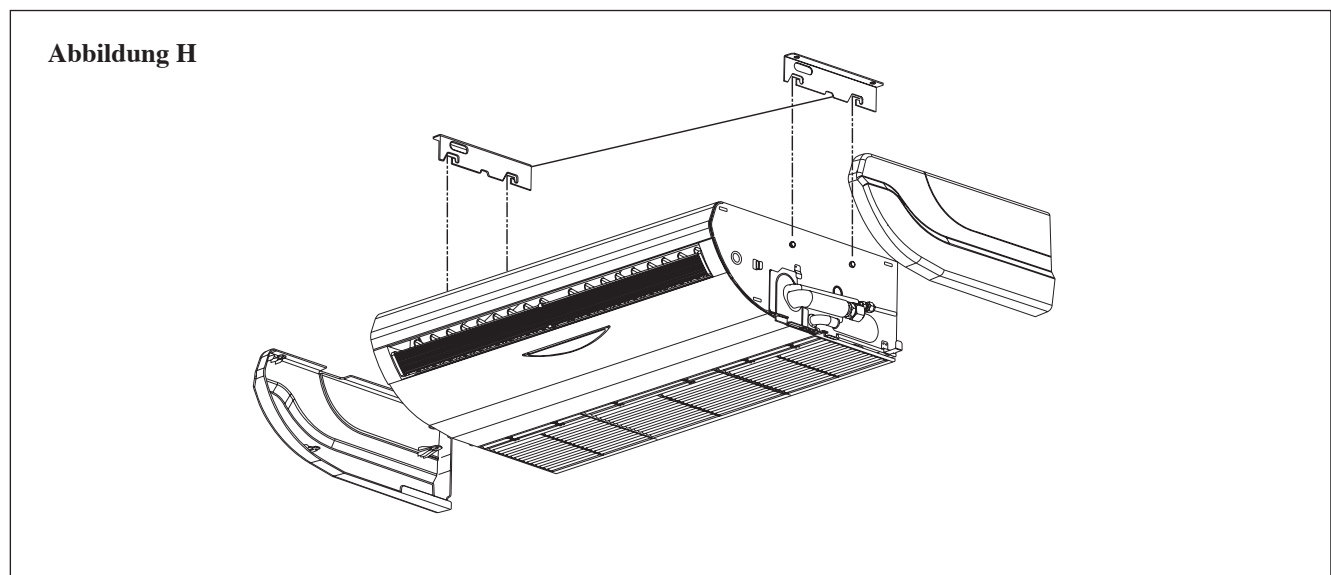
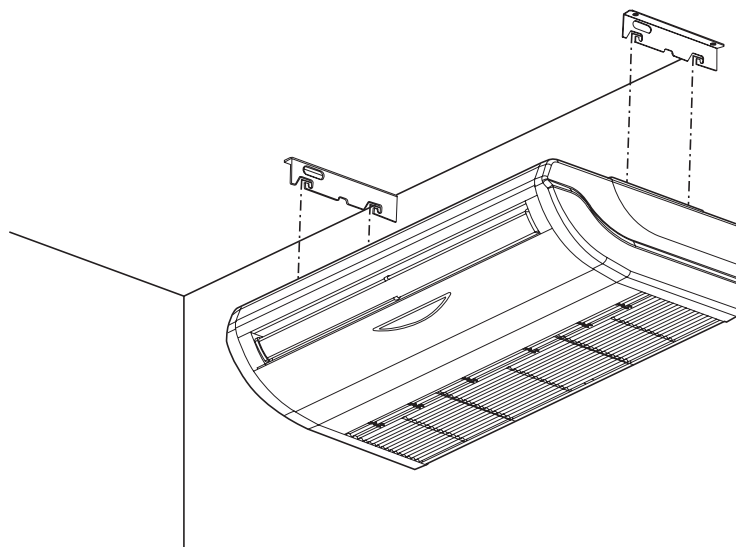
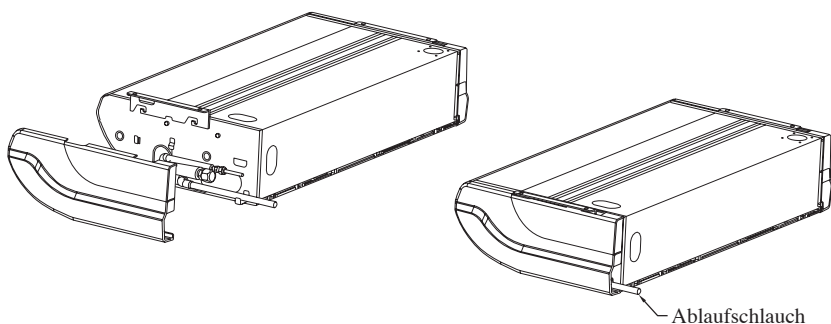


Abbildung I



Verlegung der Leitung und Montage der Drainage

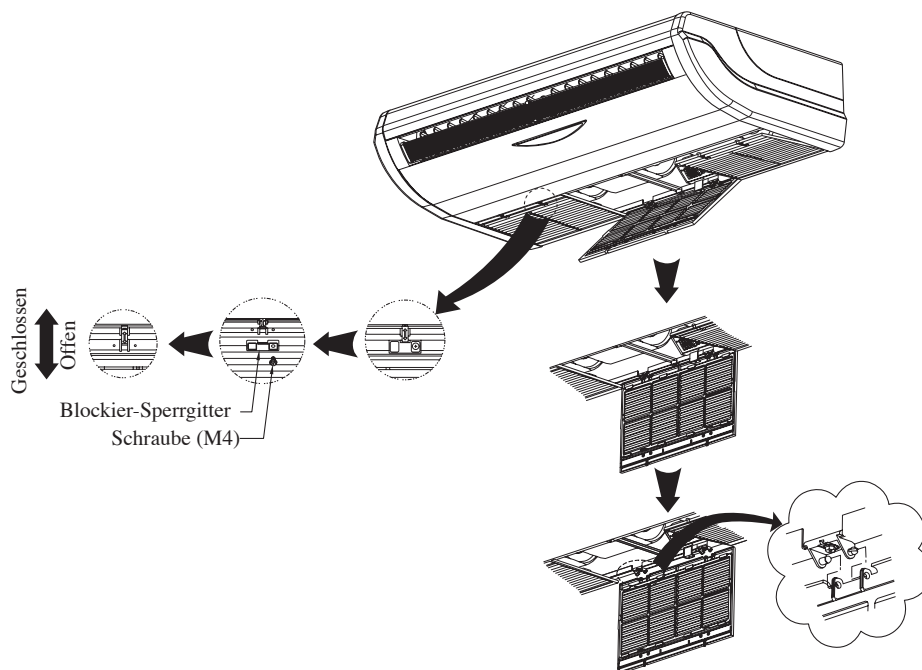
Abbildung J



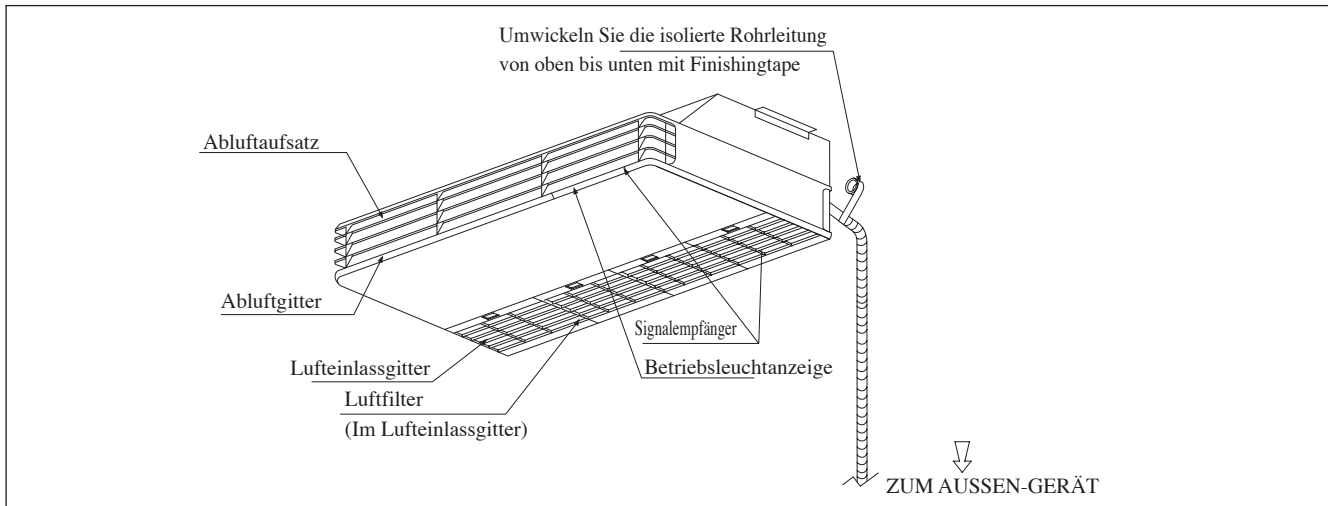
Schritte beim Öffnen des Einlassgitters

1. Lösen Sie die Schraube am Blockier-Sperrgitter mit einem Schraubenzieher.
2. Entfernen Sie das Blockier-Sperrgitter und lösen Sie die Gittersperre.
3. Siehe Abbildung K.

Abbildung K



INSTALATIONS DIAGRAMM (AHQ140CV1)



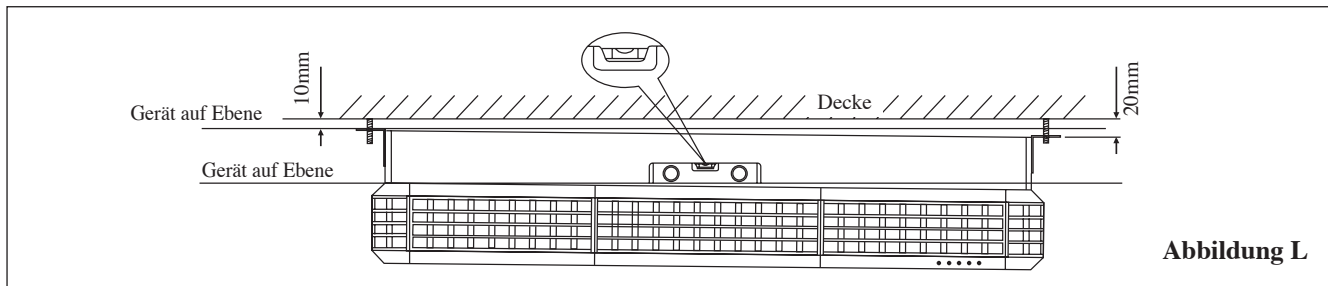
INSTALLATION DES INNENGERÄTES (AHQ140CV1)

Vorbereitende Massnahmen

- Die Spannung darf $\pm 10\%$ der angegebenen nicht überschreiten. Die Stromleitungen müssen vom Aufschiessen von Transformatoren, wodurch bei der Stromversorgung hohe Schwankungen entstehen können, abhängig sein.
- Es ist sicherzustellen, dass der Montageort sich für Kabelinstallationen und Drainage eignet.

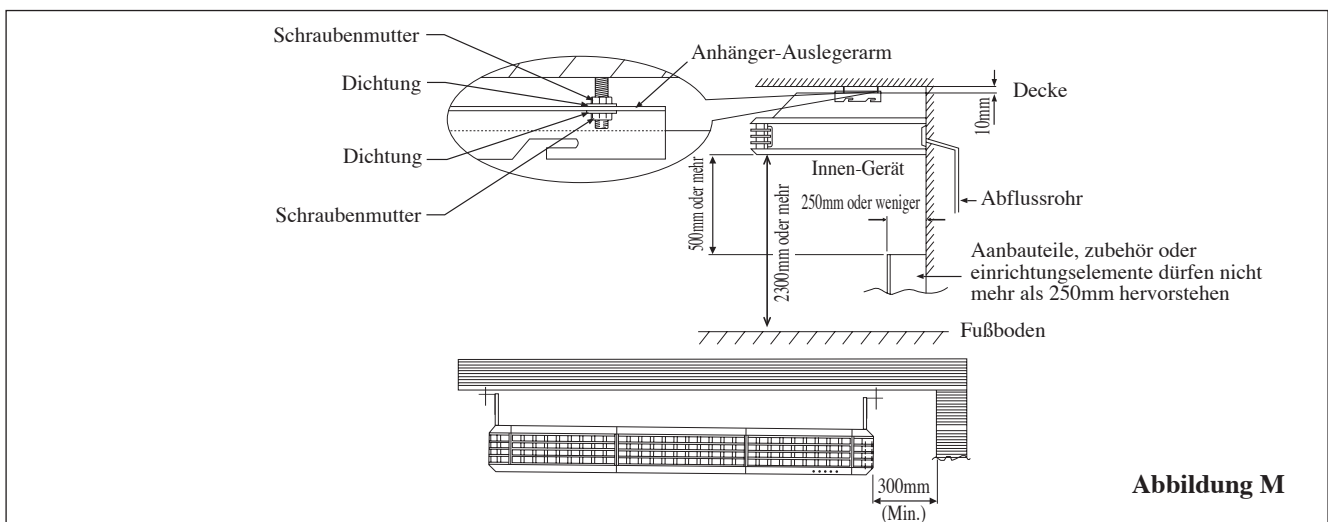
Standard-Montage

Prüfen Sie, ob die Overhead-Stützen stark genug sind, um das Gewicht des Gerätes zu tragen. Positionieren Sie die Aufhängestangen und überprüfen Sie deren Ausrichtung mit dem Gerät. Bitte versichern Sie sich zudem, dass die Aufhänger sicher angebracht sind.



Gehen Sie dabei wie folgt vor:

- Das Gerät muss mit einer Mindestneigung von 10mm zwischen Decke und Geräteoberseite installiert werden, wie in Abbildung L empfohlen.
- Das Gefälle des Abflussrohrs sollte auf einem Wert von mindestens 1:100 gehalten werden.
- Lassen Sie Spielraum für eine einfache Wartung und eine optimale Luftzirkulation Abbildung M.
- Das Innen-Gerät muss so montiert werden, dass kein Kurzschluss zwischen der kalten und warmen Luft entsteht.
- Montieren Sie das Innen-Gerät nicht an einer Stelle, an der es direktem Sonnenlicht ausgesetzt ist. Der Ort sollte für das Verlegen von Leitungen und Drainagerohren geeignet sein. Das Gerät muss einen großen Abstand zur Tür haben.



UNTERDECKENMONTAGE (AHQ140CV1)

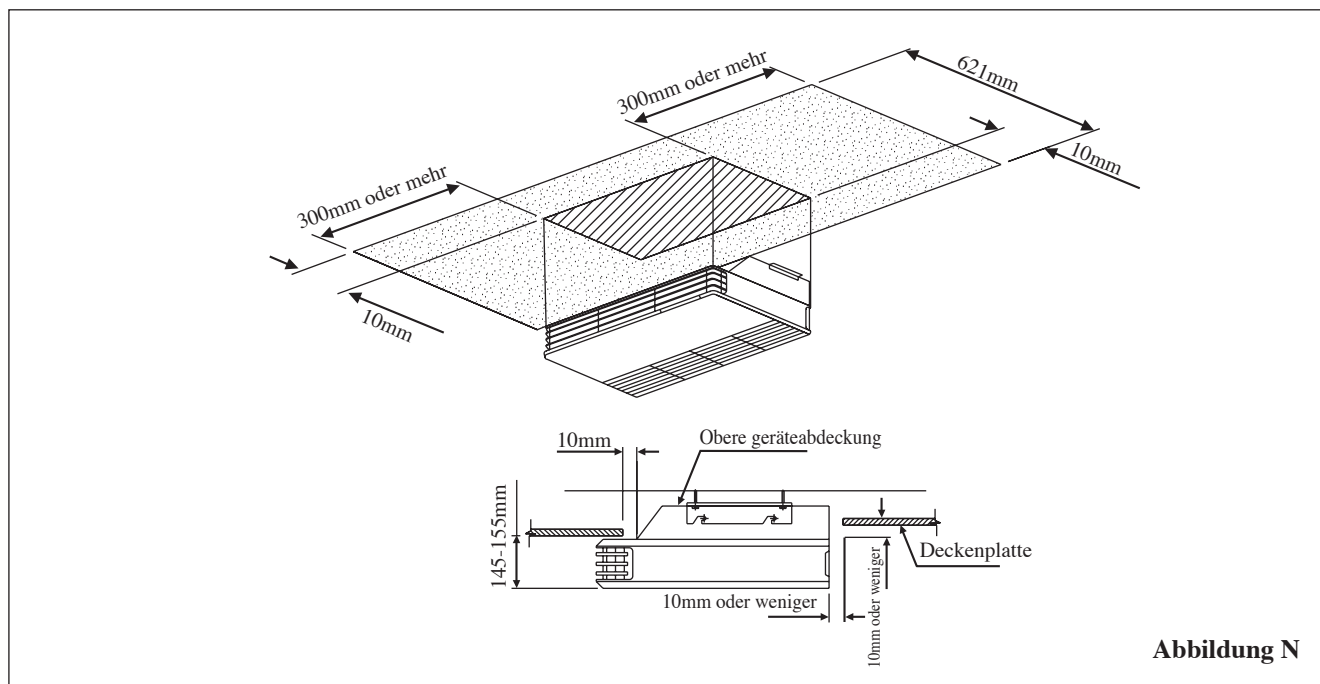
Die Suspensionsbolzen installieren

1. Die Suspensionsbolzen so anbringen, dass diese das Innen-Gerät tragen können.
2. Bevor Sie mit der Montage beginnen, den Abstand zur Decke anpassen.
3. Beachten Sie die Maßangaben in Abbildung N bei der Gerätemontage.

Die Innen-Geräte installieren

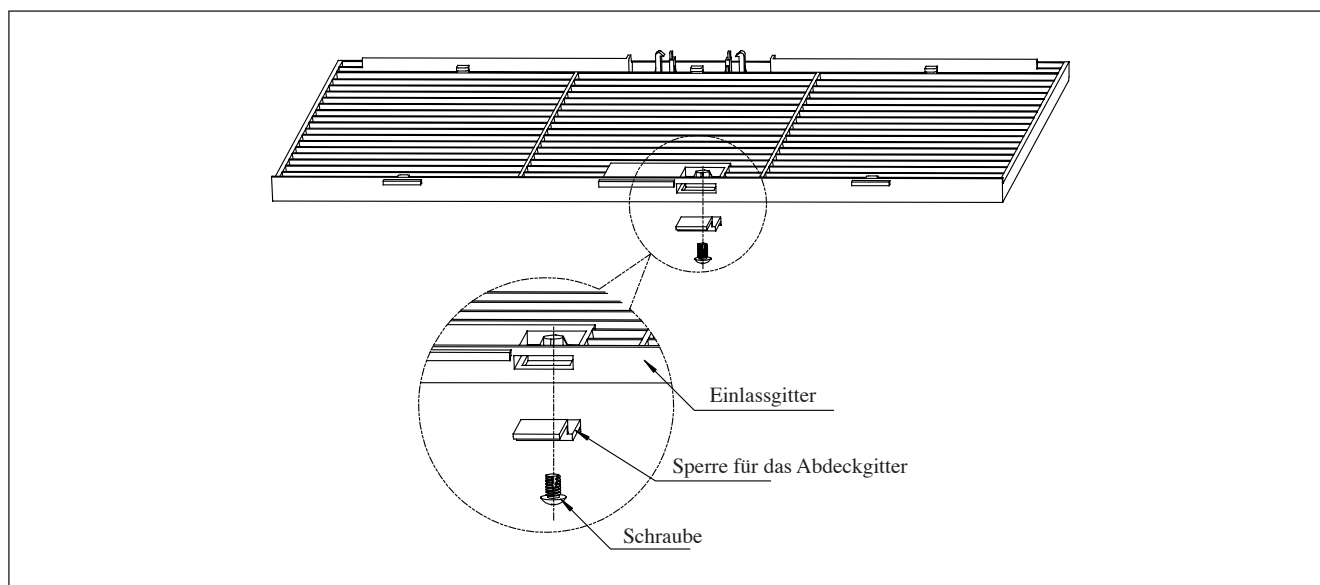
1. Die Suspensionsbolzen in das Anschlussstück der Aufhängerträger einsetzen.
2. Die Muttern und Unterlegscheibe auf beiden Seiten der Metallbeschläge anbringen.
3. Mit Muttern absichern.

Montage des Deckengerätes



Sperre für das Abdeckgitter (Der Schutz für bewegliche Teile, die der Benutzer direkt berühren kann)

Die Sperre für das Abdeckgitter sollte wie in der unten abgebildeten Darstellung installiert werden.



Falls das Gerät gewartet werden muss, sind folgende Schritte durchzuführen:

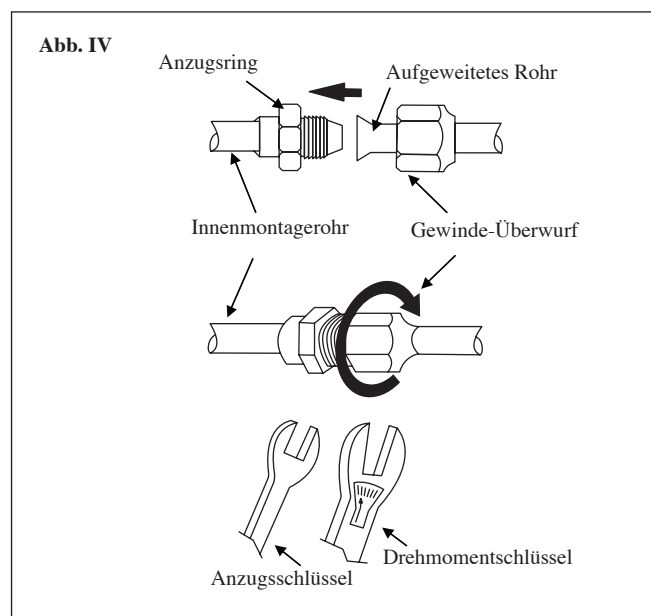
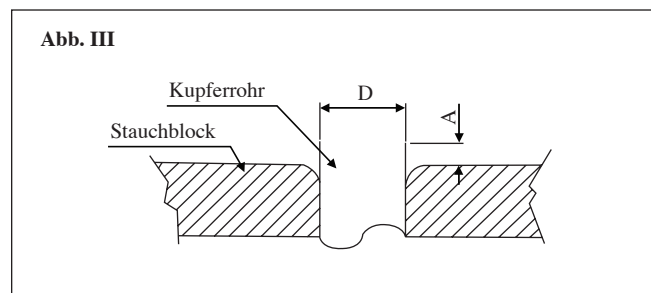
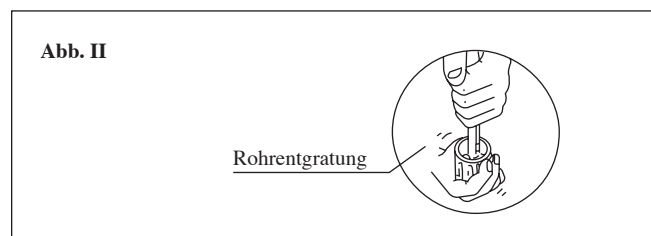
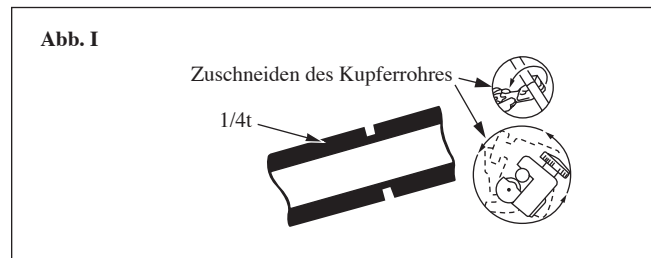
1. Prüfen Sie, ob das Gerät vor der Wartung ausgeschaltet wurde.
2. Verwenden Sie einen Schraubendreher, um die Schrauben der Sperre des Abdeckgitters zu öffnen.
3. Entfernen Sie die Sperre des Abdeckgitters und öffnen Sie das Einlassgitter für die Wartung.
4. Setzen Sie das Einlassgitter ein und ziehen Sie die Schraube der Sperre des Abdeckgitters nach der Wartung fest. Stellen Sie sicher, dass das Gerät korrekt installiert ist.

Leitungsverlegung U. Anschlussstechnik

- Keine verschmutzten oder beschädigten Kupferrohre verwenden. Wurden Rohrleitungen, Verdampfer oder Verflüssiger freigelegt oder waren mehr als 15 Sekunden geöffnet, dann muss das System abgesaugt werden. Allgemein sollten keine Plastikabdeckungen, Gummistopfen oder Messinggewinde von den Ventilen, Armaturen, Rohren und Kühlschlangen abgenommen werden, bis die Ansaug- bzw. Flüssigkeitsleitung bereit zum Anschließen ist.
- Falls Lötarbeiten vorzunehmen sind, ist sicherzustellen, dass während des Lötens Stickstoff durch die Kühlschlangen und Kupplungen geführt wird. Dadurch werden Rußablagerungen auf den Kupferrohr-Innenwänden vermieden.
- Rohrleitungen nach und nach zurechtschneiden und dabei das Schneidegerät langsam in das Rohr eingreifen lassen. Höherer Kraftaufwand und ein schneller Schnitvorschub verursachen eine stärkere Verformung des Rohres und zusätzliche Gratstellen. Sie Abb. I.
- Rohrkanten mit einer Reibahle entgraten, wie in Abb. II dargestellt. Dadurch werden Unregelmäßigkeiten an der Anschlußfläche vermieden, die zu undichten Stellen führen könnten. Halten Sie das Rohr ganz oben und den Entgrater ganz unten, damit keine Metallspäne in das Rohr geraten.
- Die Gewindeüberwurfteile an den Armaturen des Innen- und Außengerätes in die Kupferrohre einziehen.
- Die genaue überstehende Rohrleitungslänge an der Kupplungs-Stirnfläche richtet sich nach dem Kupplungswerkzeug. Siehe Abb. III.
- Das Rohr fest auf den Stauchblock aufdrücken. Anschließend Gewinde- und Überwurfteil zentrieren und beide Teile gegeneinander festziehen.

Geräte-Rohranschluss

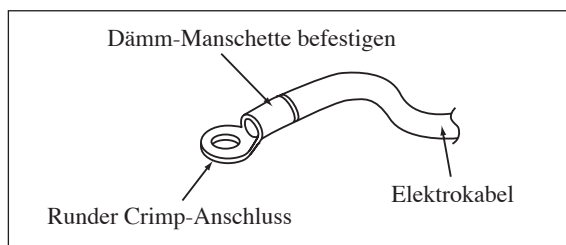
- Rohrleitung zentrieren und Gegenmutter mit der Hand anziehen. Siehe Abb. IV.
- Abschließend Gewidemutter und Moment-schlüssel bis an die gewünschte Moment-Einraststelle anziehen.
- Beim Anziehen der Gewidemutter mit dem Momentschlüssel ist die durch den Pfeil angezeigte Anzugsrichtung des Momentschlüssels zu beachten.
- Die Kühlmittleitungsanschlüsse sind mit geschlossenzelligem Polyurethanschaum isoliert.



Rohrgröße (mm/zoll)	Anzugsmoment (Nm/ft-lb)
6,35 (1/4")	18 (13,3")
9,52 (3/8")	42 (31,0")
12,70 (1/2")	55 (40,6")
15,88 (5/8")	65 (48,0")
19,05 (3/4")	78 (57,6")

Ø Rohr, D		A (mm)	
Zoll	mm	Aufgeweite (Flügelmutter-Typ)	Starr (Kupplungstyp)
1/4"	6,35	1,3	0,7
3/8"	9,52	1,6	1,0
1/2"	12,70	1,9	1,3
5/8"	15,88	2,2	1,7
3/4"	19,05	2,5	2,0

- Alle Adern sind fest zu verdrahten.
- Stellen Sie sicher, dass alle Kabel die Kältemittelleitungen, den Kompressor oder andere bewegliche Teile nicht berühren.
- Der Verbindungsdraht zwischen dem Innen- und Außengerät muss durch die mitgelieferte Kabelbefestigung eingeklemmt werden.
- Das Anschlusskabel muss zumindest dem H07RN-F entsprechen.
- Stellen Sie sicher, dass kein externer Druck auf die Anschlussklemmen und Drähte ausgeübt wird.
- Stellen Sie sicher, dass alle Abdeckungen festsitzen, um Zwischenräume zu vermeiden.
- Verwenden Sie runde Crimpanschlüsse, um Kabel an den Anschlussblock anzuschließen. Schließen Sie die Kabel an die entsprechenden Markierungen des Anschlussblocks an. (Siehe Schaltbild, angeheftet am Gerät).



- Verwenden Sie den korrekten Schraubendreher, um die Blockschrauben festzudrehen. Ungeeignete Schraubendreher können den Schraubenkopf beschädigen.
- Überdrehen kann die Klemmschraube beschädigen.
- Schließen Sie nicht Drähte von unterschiedlichen Instrumenten an den gleichen Anschluss an.
- Verkabelung in geregelter Anordnung halten. Die Verkabelung sollte keine anderen Teile und nicht die Abdeckung des Anschlusskastens blockieren.



SPEZIELLE VORKEHRUNGEN BEIM BESCHÄFTIGEN R410A MASSEINHEIT

R410A ist ein neues HFC Kühlmittel, das nicht die Ozon-Schicht beschädigt. Der Betriebsdruck dieses neuen Kühlmittels ist 1,6 Mal höher, als herkömmliches Kühlmittel (R22), dadurch ist es äußerst wichtig, das Unterhaltsarbeiten und Installationen korrekt durchgeführt werden.

- Nie Kühlmittel des Gebrauches anders als R410A in einer Klimaanlage, die entworfen ist, um mit R410A zu funktionieren.
- POE- oder PVE-Öl wird als Schmiermittel für R410A Kompressor benutzt, das zu dem Mineralöl unterschiedlich ist, das für Kompressor R22 benutzt wird. Während der Installation oder der Wartung muß weitere Vorsichtsmaßnahme genommen werden, um das R410A System auszusetzen, das nicht feuchter Luft zu lang ist. Verbleibendes POE- oder PVE-Öl in der Rohrleitung und andere Rückstände können Feuchtigkeit aus der Luft aufsaugen.
- Dem Aufflackerventil zu dem von R22 unterschiedlich.

- Benutzen Sie Werkzeuge und Materialien ausschließlich für Kühlmittel R410A. Werkzeuge ausschließlich für R410A sind vielfältiges Ventil, aufladenschlauch, Druckanzeiger, Gasleckstell Detektor, Aufflackernwerkzeuge, Drehkraftschlüssel, Vakuumpumpe und Kühlmittelzylinder.
- Da eine R410A Klimaanlage auf höheren Druck als Maßeinheiten R22 sich nimmt, ist es wesentlich, die kupfernen Rohre richtig zu wählen. Nie kupferner Rohrverdünner des Benutzers als 0,8mm obwohl sie im Markt vorhanden sind.
- Wenn das Kühlmittelgas während der Installation /servicing ausläuft, seien Sie sicher, völlig zu lüften. Wenn das abkühlende Gas in Kontakt mit Feuer kommt, kann ein giftiges Gas auftreten.
- Wenn Sie eine Klimaanlage, lassen Sie Luft oder Feuchtigkeit nicht im abkühlenden Zyklus bleiben anbringen oder entfernen.

VAKUUMHERSTELLUNG UND LADEN

Das Absaugen ist erforderlich, um alle eventuell im System vorhandene Feuchtigkeit und Luft zu entfernen.

Evakuierung der Leitung und des Innenmontagegeräts

Das Innen-Gerät und der Anschluss der Kältemittelleitungen müssen luftgereinigt werden, weil die Luft Feuchtigkeit enthält, die im Kühlmittel-Kreislauf zurückbleibt und die eine Funktionsstörung des Kompressors verursachen kann.

- Die Abdeckungen vom Ventil und dem Wartungsanschluß abnehmen.
- Den Lademesser von der Mitte aus an die Vakuumpumpe anschliessen.
- Den Lademesser an die Wartungsöffnung des 3-Weg-Ventils anschliessen.

- Die Vakuumpumpe einschalten und etwa 30 Minuten laufen lassen. Die Evakuierungszeiten sind je nach Kapazität der Pumpe verschieden. Darauf achten, dass die Nadel des Lademessers bei -760mmHg steht.

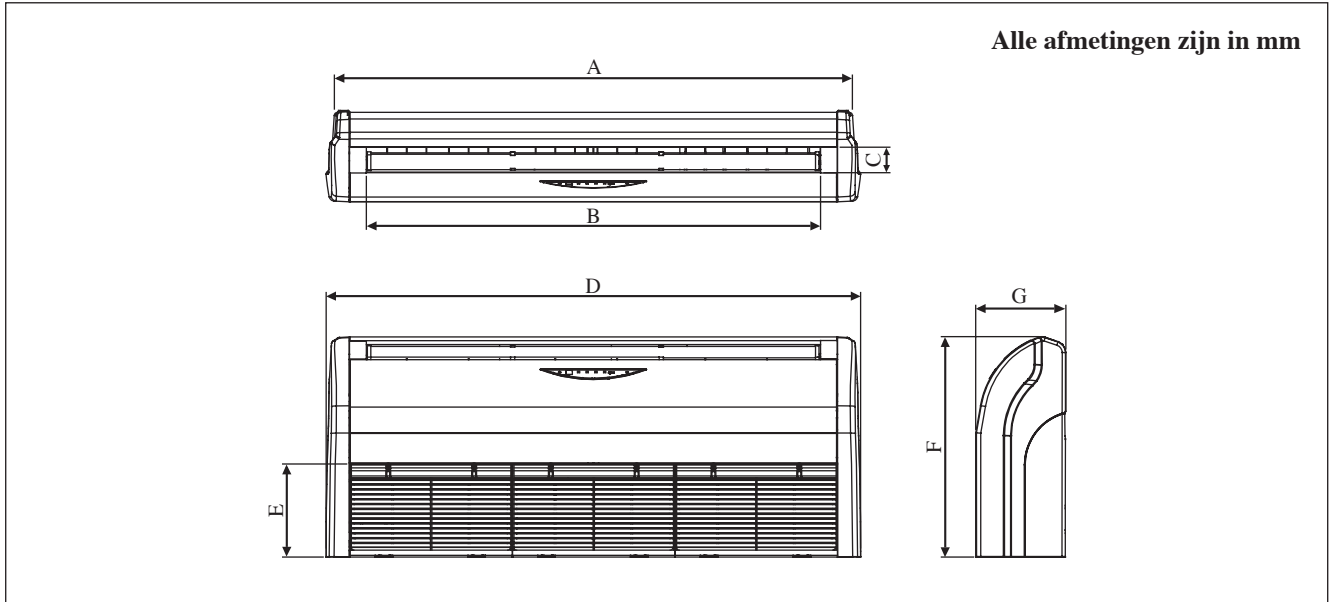
Vorsicht

- Falls die Nadel des Lademessers nicht bei -760mmHg steht, ist nachzuprüfen (mit dem Kältemittel-Anzeigegerät), ob an der aus dem aufgeweiteten Rohr bestehenden Verbindung zwischen Innen- und Aussengerät ein Gasleck besteht. Vor Ausführen des nächsten Schrittes muss das Leck behoben werden.
- Das Ventil des Lademessers schliessen und die Vakuumpumpe abschalten.

MITTEILUNG

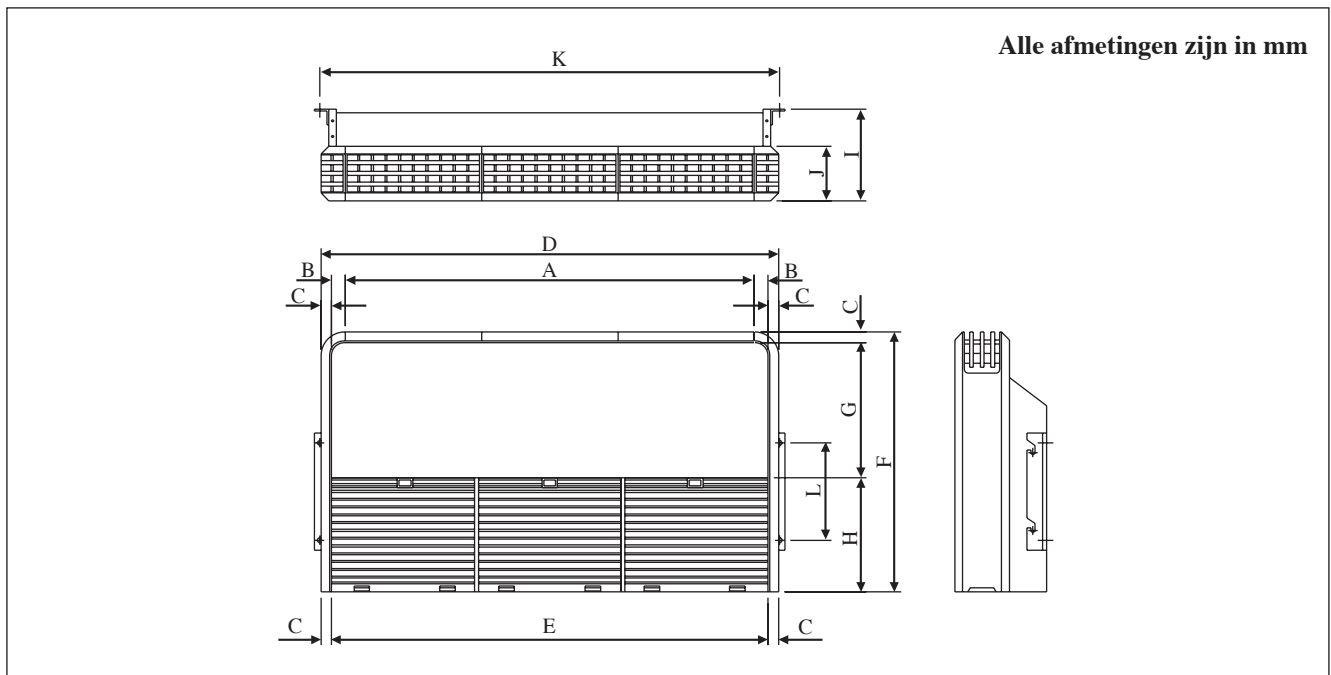
SCHETSMATIGE WEERGAVE EN AFMETINGEN

Binnenunit AHQ71/100/125CV1



Afmeting	A	B	C	D	E	F	G
AHQ71CV1	1272	1088	74	1320	268	635	259
AHQ100CV1	1490	1308	74	1538	268	635	259
AHQ125CV1	1738	1556	74	1786	268	635	259

Binnenunit AHQ140CV1



Afmeting	A	B	C	D	E	F	G	H	I	J	K	L
AHQ140CV1	1750	40	36	1903	1830	680	352	292	285	140	1880	250

Vertaling van de oorspronkelijke aanwijzing
Nederlands

INSTALLATIEHANDLEIDING

In deze handleiding worden de procedures voor de installatie gegeven voor een veilige en goede werking van de airconditionings-unit.

Lokale omstandigheden kunnen speciale aanpassingen nodig maken.

Lees, voordat u de airconditioning gebruikt, deze instructiehandleiding aandachtig door en bewaar de handleiding zodat u deze ook later nog kunt raadplegen.

Dit apparaat is bedoeld voor gebruik door deskundige of getrainde gebruikers, in lichte industrieën en op boerderijen of voor commercieel gebruik door leken.

Dit apparaat is niet bedoeld voor gebruik door personen, inclusief kinderen, met verminderde fysieke, zintuiglijke of mentale mogelijkheden, of met een gebrek aan

ervaring en kennis, tenzij zij onder toezicht staan of onderricht zijn in het gebruik van het apparaat door een persoon die verantwoordelijk is voor hun veiligheid.

Zie erop toe dat kinderen niet met het apparaat spelen.

VOORZORGSMAATREGELEN VOOR EEN VEILIG GEBRUIK

WAARSCHUWING

- Installatie en onderhoud moeten worden uitgevoerd door gekwalificeerde personen die bekend zijn met de plaatselijke wetten en voorschriften en die ervaring hebben met dit type apparaatuur.
- Alle veldbedrading moet worden geïnstalleerd in overeenstemming met de landelijk geldende bedravingsvoorschriften.
- Controleer, voordat u begint met bedravingswerkzaamheden volgens het bedradingsschema, dat de nominale spanning van de unit overeenkomt met die van het naamplaatje.
- De unit moet worden GEAARD zodat gevaren die kunnen ontstaan door isolatiefouten, zich niet kunnen voordoen.
- De elektrische bedrading mag nergens de leidingen van het koelmiddel of welke bewegende delen van de ventilatormotoren dan ook raken.
- Controleer dat de unit is uitgeschakeld (OFF) voordat u installatie- of servicewerkzaamheden aan de unit verricht.
- Verbreek de aansluiting op de hoofdstroomvoorziening voordat u servicewerkzaamheden aan de airconditioning-unit verricht.
- Trek NIET de stekker van het netsnoer uit het stopcontact wanneer de unit is ingeschakeld (ON). Dit kan ernstige elektrische schokken tot gevolg hebben die kunnen leiden tot brandgevaar.
- Houd de binnen- en buiten-units, netsnoeren en transmissiebedrading ten minste 1m verwijderd van TV- en radiotoestellen, zodat geen vervormd beeld en statische lading kan ontstaan. {Afhankelijk van het type en de bron van de elektrische golven kan een ontlading van statische elektriciteit hoorbaar zijn, ook als u een afstand van meer dan 1m aanhoudt}.

LET OP

Let bij het installeren vooral goed op de volgende belangrijke punten.

- **Installeer de unit niet op een plaats waar lekkage van brandbaar gas zich kan voordoen.**
 Als er gas lekt en zich verzamelt rond de unit, kan hierdoor brand ontstaan.
- **Controleer dat de afvoerleiding goed is aangesloten.**
 Als de afvoerleiding niet goed is aangesloten, kan hierdoor lekkage van water ontstaan en kan het meubilair vochtig worden.
- **Overbelast de unit niet.**
 De belasting van de unit is in de fabriek ingesteld. Overbelasting zal leiden tot te veel stroom of zal de compressor beschadigen.
- **Controleer dat het paneel van de unit wordt gesloten na service- of installatiewerkzaamheden.**
 Wanneer panelen niet goed zijn vastgezet, zal de unit lawaai maken tijdens de werking.
- **Scherpe randen en oppervlakken van spoelen zijn plaatsen waar u het risico loopt u te bezeren.**
Ga voorzichtig te werk zodat u niet in contact komt met deze plaatsen.
- **Zet, voordat u de stroomvoorziening uitschakelt, de Aan/Uit-schakelaar (ON/OFF) van de afstandsbediening in de stand "OFF" zodat de unit niet per ongeluk kan worden uitgeschakeld.** Als u dit niet doet, zullen de ventilatoren van de unit automatisch beginnen te draaien wanneer de stroomvoorziening wordt ingeschakeld, wat een risico voor servicepersoneel of de gebruiker tot gevolg kan hebben.
- **Gebruik niet verwarmingsapparatuur al te dicht bij de de airconditionings-unit.** Hierdoor kunnen zich uitzonderlijk hoge temperaturen ontwikkelen waardoor het kunststof paneel kan smelten of vervormen.
- **Installeer de eenheid niet in of bij een deuropening.**
- **Werk niet met een verhitingsapparaat te dicht bij de airconditioner-eenheid of gebruik in ruimte, waar minerale olie, oliedamp of oliestoom aanwezig is.** Dit kan tot gevolg hebben dat het plastic deel smelt of vervormd wordt als gevolg van de excessieve hitte of een chemische reactie.
- **Wanneer men de eenheid in de keuken gebruikt, laat dan geen bloem door de zuigkracht de eenheid binnenkomen.**
- **Deze eenheid is niet geschikt voor gebruik in de fabriek, als er oliedamp aanwezig is of het voltage sterk fluctueert.**
- **Installeer de eenheid niet in een gebied, waar een hete bron is of ook bij een olieraffinaderij, waar er sulfide-gas aanwezig is.**
- **Het is belangrijk dat de kleur van de draden van de buiten-unit en de markeringen op de aansluitingen dezelfde zijn als die van de binnen-units.**
- **BELANGRIJ: INSTALLEER OF GEBRUIK DE AIRCONDITIONER NIET IN EEN WASSERIJ.**
- **Gebruik geen doorverbonden of gedraaide draden voor de inkomende stroomvoorziening.**
- **Zorg ervoor dat er geen direct contact is tussen een behandelmiddel van spoelen en kunststof onderdelen.** Hierdoor kan er een chemische reactie ontstaan waardoor de kunststof onderdelen vervormen.
- **Neem voor inlichtingen over reserveonderdelen contact op met uw geautoriseerde dealer.**
- **De apparatuur is niet bedoeld om gebruikt te worden in een mogelijk explosieve atmosfeer.**

MEDEDELING

Eisen die worden gesteld aan de afvalverwerking

Uw airconditioner is gemarkeerd met dit symbool. Dit betekent dat elektrische en elektronische producten niet met ongesorteerd huishoudelijk afval mogen worden gemengd.

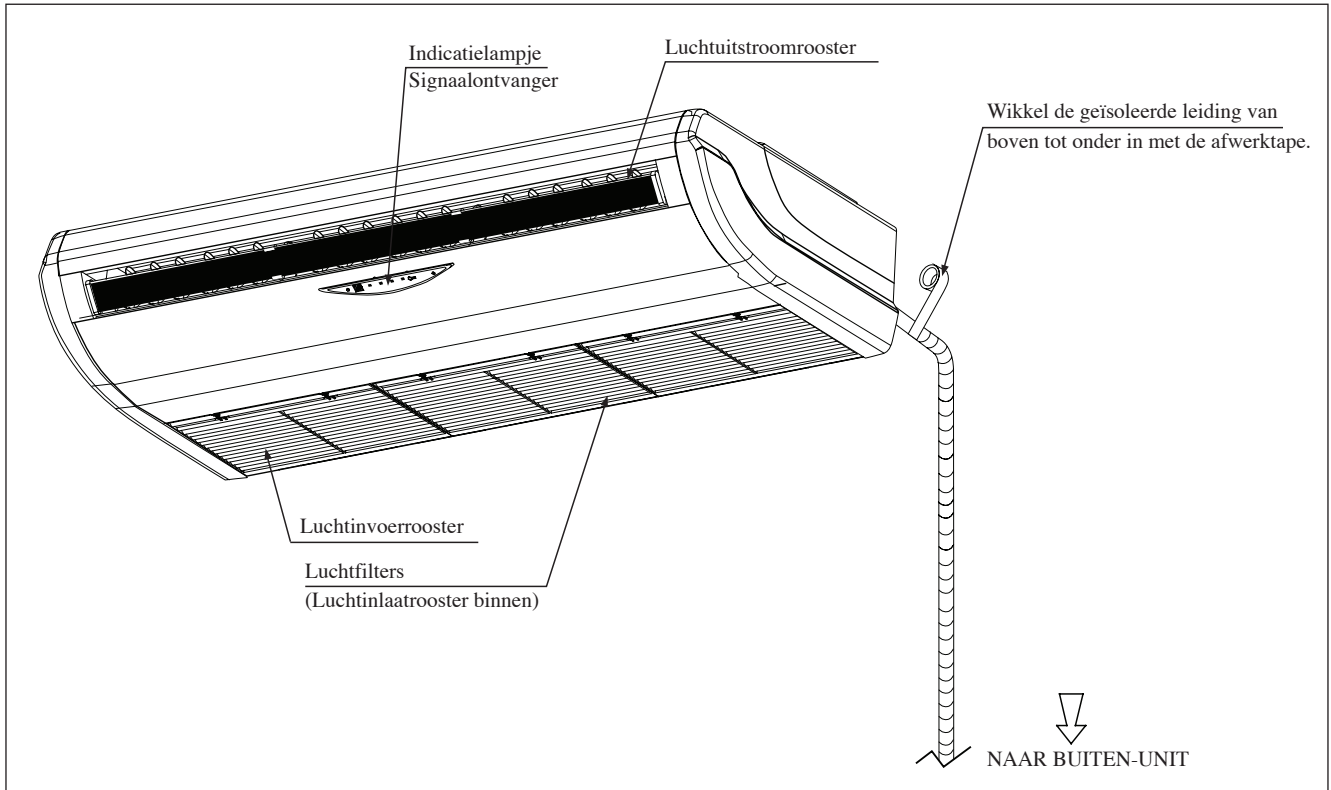
Probeer niet zelf het systeem uit elkaar te halen: het airconditioningssysteem uit elkaar halen, het behandelen van het koelmiddel, olie en andere onderdelen moet worden uitgevoerd door een vakbekwame installateur in overeenstemming met de relevante lokale en nationale wetgeving.

Airconditioners moeten worden verwerkt in een bedrijf dat is gespecialiseerd in hergebruik, recycling en terugwinning. Door ervoor te zorgen dat dit product op juiste wijze wordt verwerkt helpt u mogelijke negatieve gevolgen voor het milieu en de menselijke gezondheid te voorkomen. Neem voor informatie contact op met de installateur of de lokale overheid.

Batterijen moeten uit de afstandsbediening worden gehaald en apart worden verwerkt in overeenstemming met de relevante lokale en nationale wetgeving.



INSTALLATIESCHEMA (AHQ71/100/125CV1)



Nederlands

INSTALLATIE VAN DE BINNEN-UNIT (AHQ71/100/125CV1)

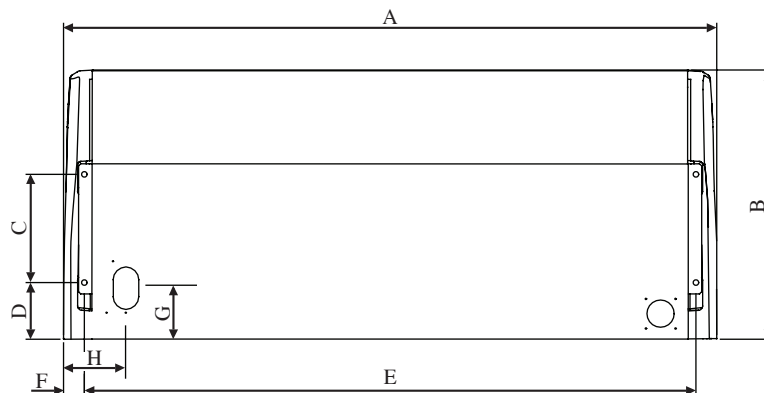
Inspectie vooraf van de locatie

- De voedingsspanning mag niet meer dan $\pm 10\%$ afwijken van de nominale spanning. De aanvoerlijnen van de elektriciteit moeten onafhankelijk zijn van lastrafo's omdat deze grote schommelingen in de aanvoer kunnen veroorzaken.
- Het is belangrijk dat de locatie geschikt is voor de bedrading, leidingen en afvoer.

Standaardmontage

Het is belangrijk dat de steunen van de bovenstructuur sterk genoeg zijn om het gewicht van de unit te dragen. Plaats de ophangstangen (wandmontagebeugel voor plaatsing op de vloer) en controleer of deze zijn uitgerijnd met de unit zoals in Afbeelding A wordt getoond. Controleer ook dat de ophangstangen goed vastzitten en dat de grondplaat van de ventilatorspoel waterpas is in beide horizontale richtingen en houd daarbij rekening met de helling voor de afvoer zoals wordt aanbevolen in Afbeelding B.

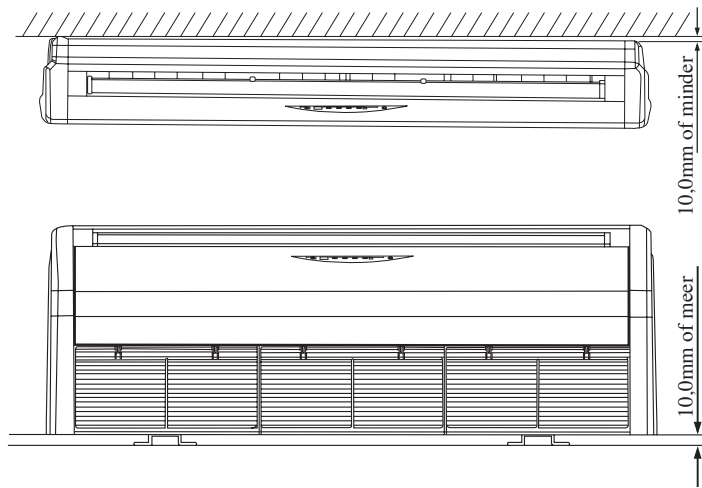
Afbeelding A



Alle afmetingen zijn in mm

Model \ Afmeting	A	B	C	D	E	F	G	H
AHQ71CV1	1320	635	255	134	1222	49	148	120
AHQ100CV1	1538	635	255	134	1440	49	148	120
AHQ125CV1	1786	635	255	134	1688	49	148	120

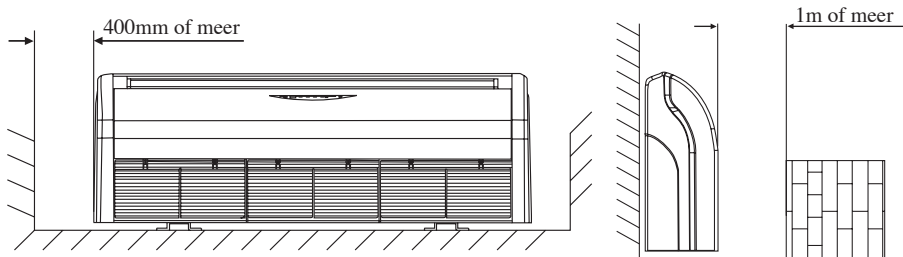
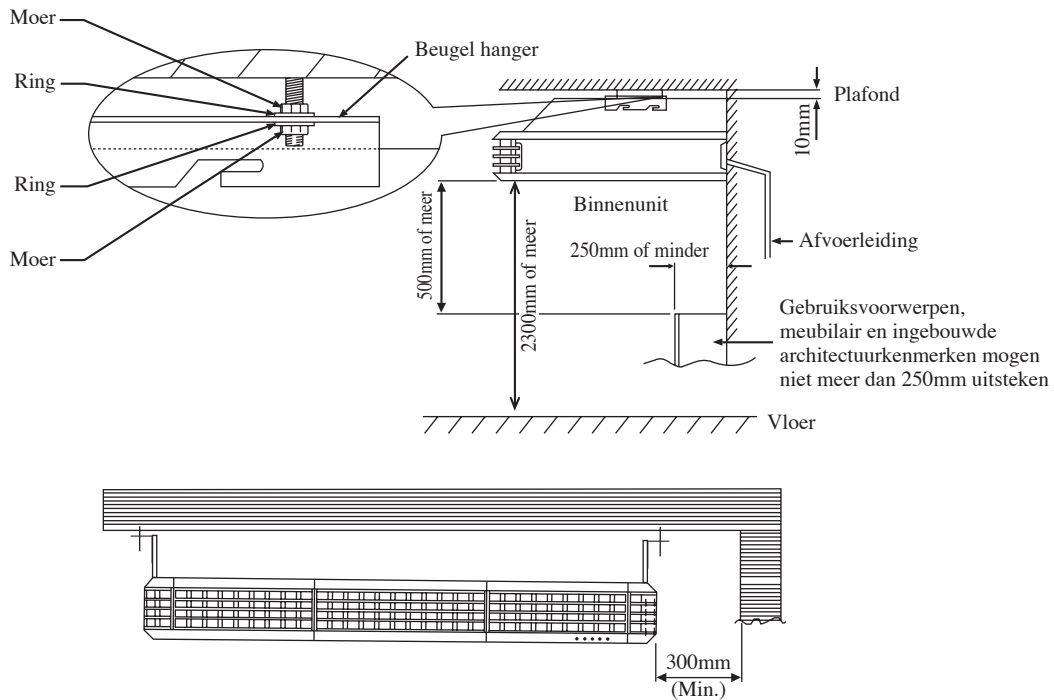
Afbeelding B



Het is belangrijk dat de volgende stappen worden genomen:

- De unit moet ten minste 10mm uit het lood zijn geïnstalleerd zoals wordt aanbevolen in Afbeelding B.
- Voor de helling van de afvoerleiding moet ten minste 1:100 worden aangehouden.
- Zorg voor vrije ruimte voor het gemakkelijk uitvoeren van onderhoudswerkzaamheden en voor een optimale luchtstroom, zoals in Afbeelding C wordt getoond.
- De binnen-unit moet zo worden geïnstalleerd dat er geen onderbreking is van de uitstoot van koele lucht door warme retourlucht.
- Installeer de binnen-unit niet op een plaats waar de unit door direct zonlicht kan worden bescheden. De locatie moet geschikt zijn voor de installatie van leidingen en afvoeren. De unit moet op grote afstand staan van de deur.

Afbeelding C



Type Vloerstaand

INSTALLATIE ONDER PLAFOND (AHQ71/100/125CV1)

Installeer ophangbouten

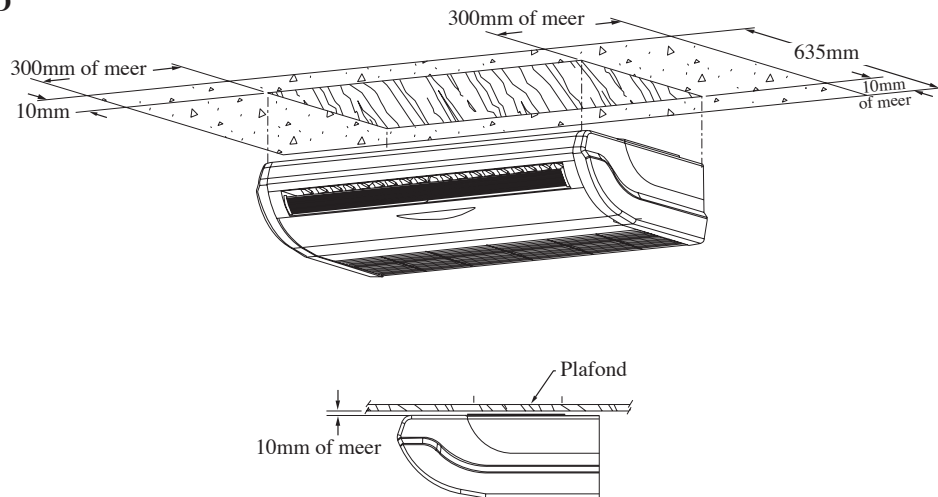
1. Installeer de ophangbouten zo dat zij de binnen-unit kunnen dragen.
2. Pas vóór installatie de afstand tot het plafond aan.
3. Zie gegeven afmetingen voor het installeren van de unit.

Installeer binnen-units

1. Steek de ophangbouten in de montagedelen van de ophangbeugel.
2. Plaats de moeren en de ring aan beide zijden van de metalen montagedelen.
3. Zet vast met moeren.

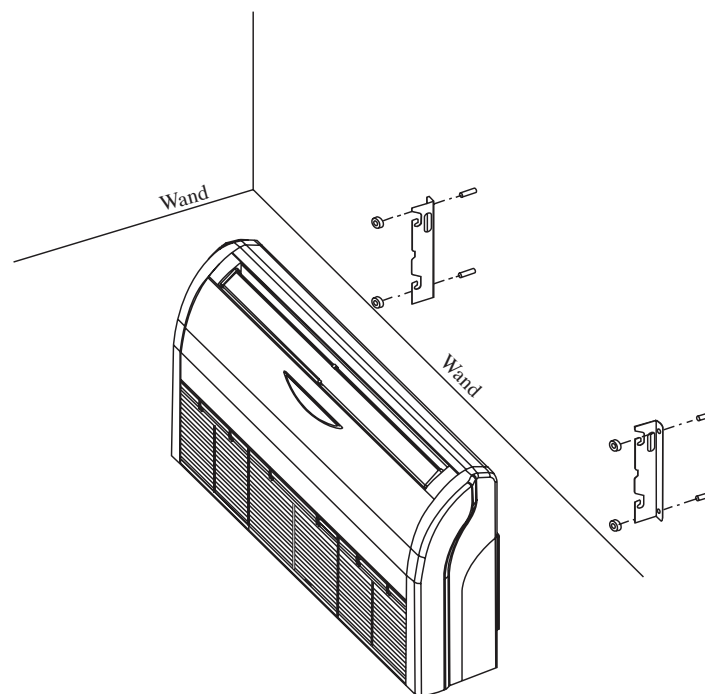
Installatie type Plafondmontage

Afbeelding D



Installatie Vloertype

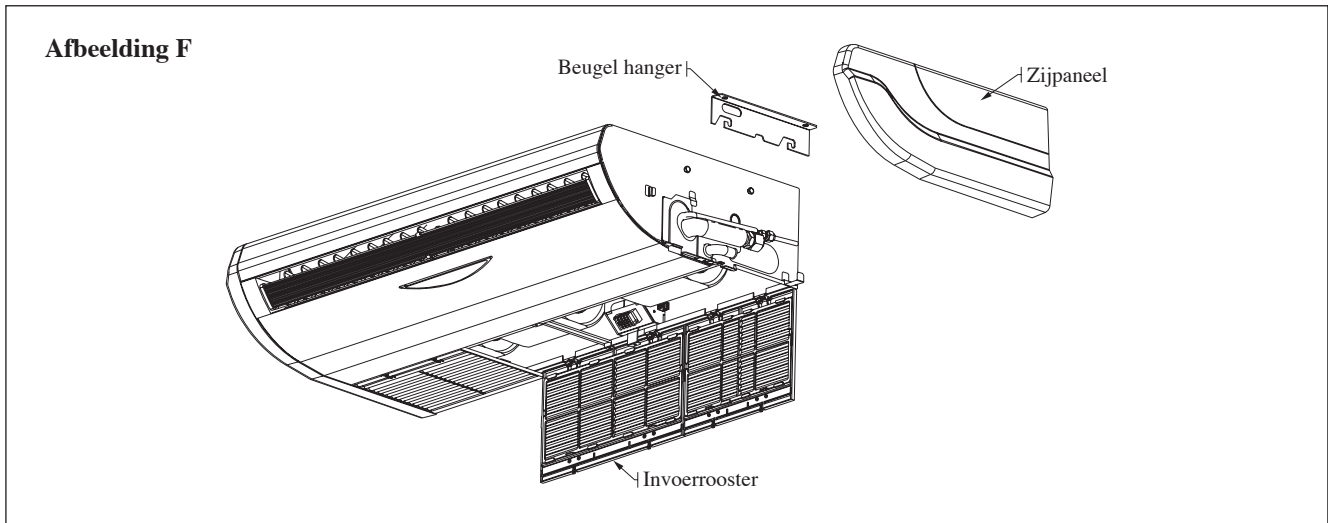
Afbeelding E



Installatie - type Plafondopening

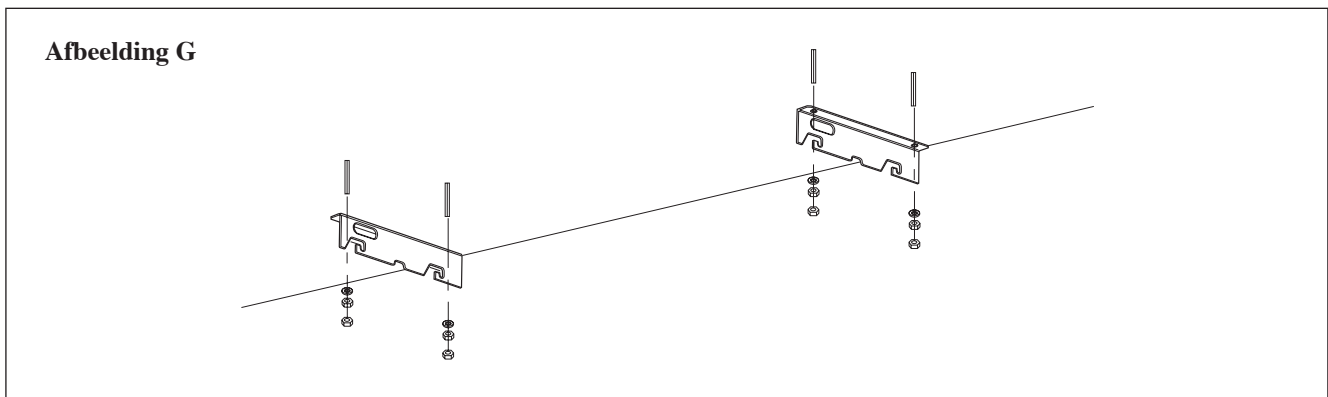
Stap 1

Verwijder het rooster van de luchtinlaat, het zijpaneel en de ophangbeugel van de unit. Zie Afbeelding F.



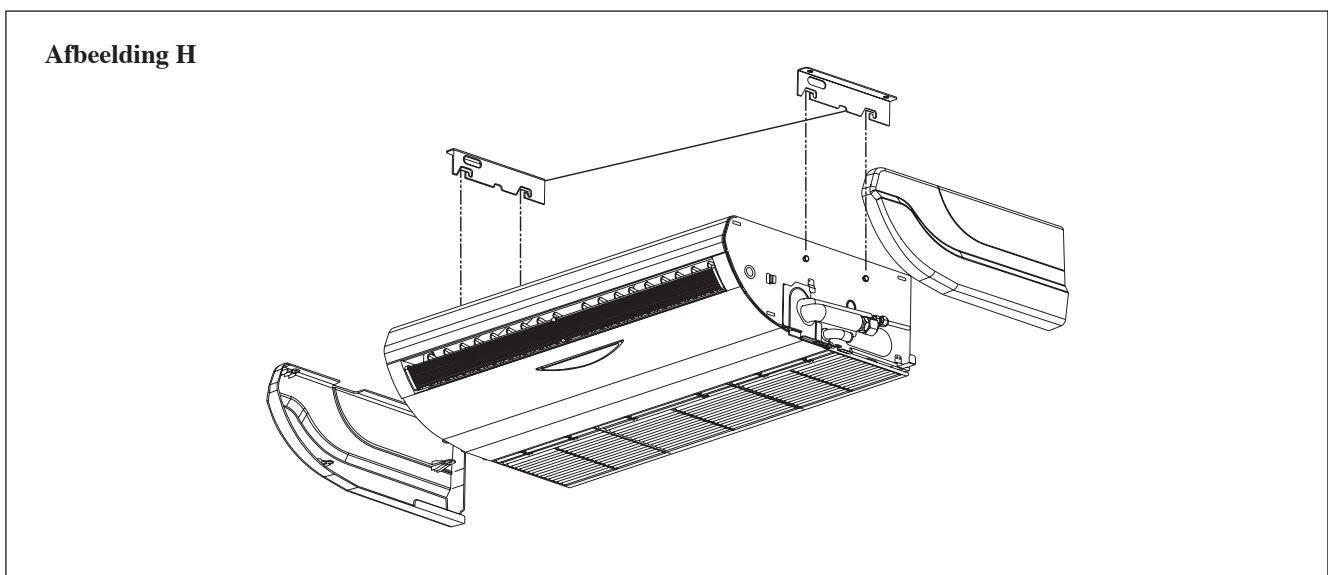
Stap 2

Plaats de ophangstang zoals wordt getoond in Afbeelding G en installeer de ophangbeugel.

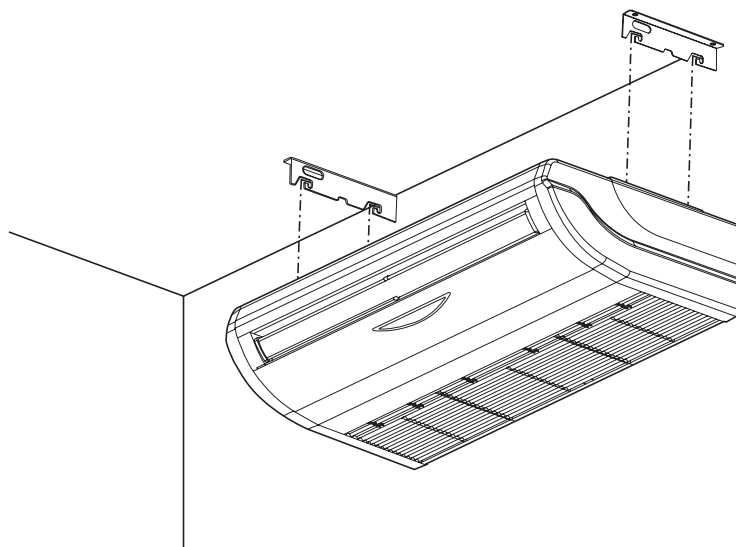


Stap 3

Hang de unit op en zet de bouten vast na de installatie van de leidingen en de afvoerleiding. Zie Afbeelding H. Installeer ten slotte het inlaatrooster en het zijpaneel op de juiste plaats. Zie Afbeelding I.

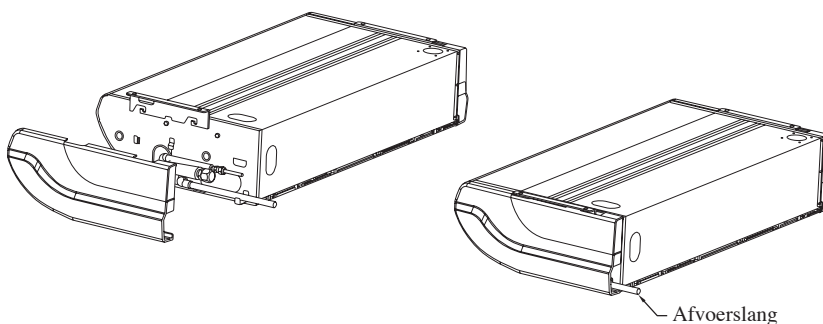


Afbeelding I



Installatie Leiding en Afvoerslang

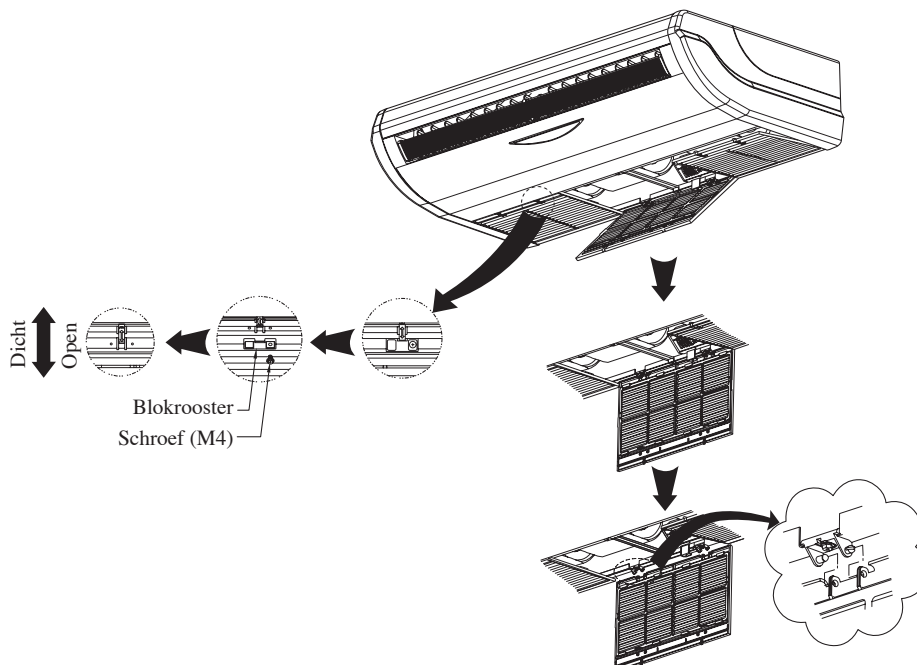
Afbeelding J



Zo opent u stapsgewijs het inlaatrooster

1. Draai de schroef die is bevestigd op het blokkrooster met een schroevendraaier los.
2. Verwijder het blokkrooster en maak de vergrendeling van het rooster los.
3. Zie Afbeelding K ter referentie.

Afbeelding K



INSTALLATIE ONDER PLAFOND (AHQ140CV1)

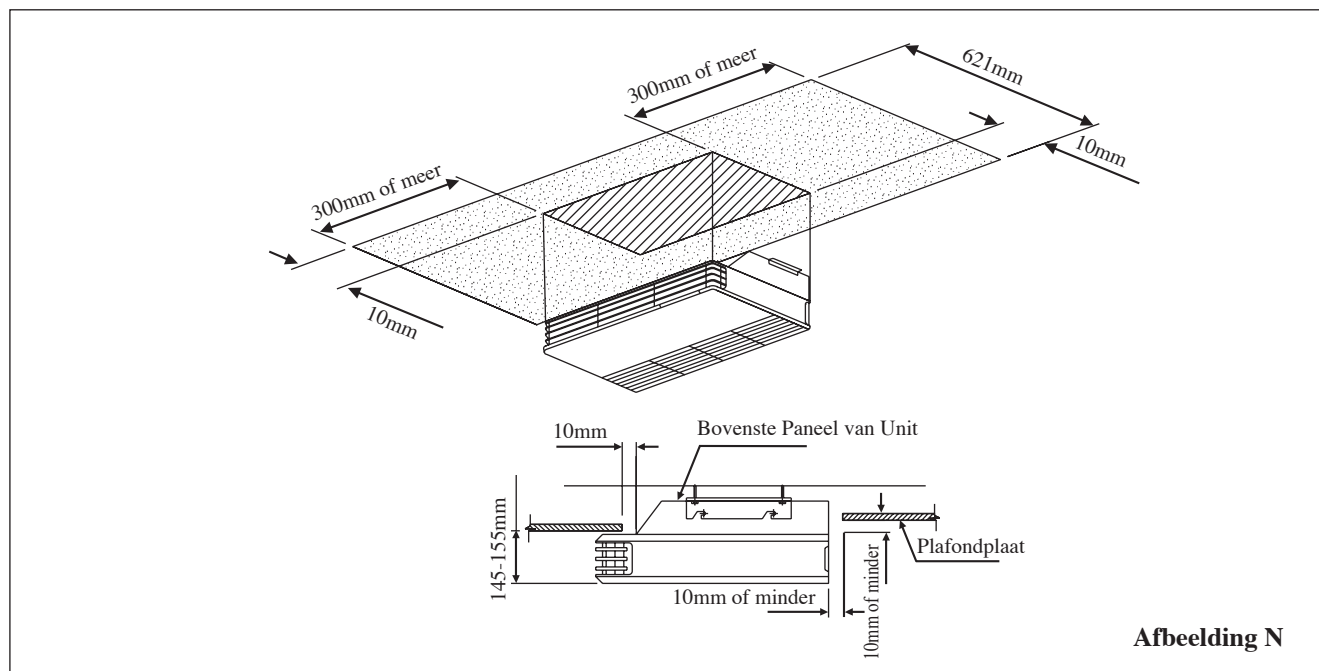
Installeer ophangbouten

1. Installeer de ophangbouten zo dat zij de binnen-unit kunnen dragen.
2. Pas vóór installatie de afstand tot het plafond aan.
3. Zie de afmetingen die worden gegeven in Afbeelding N, voor het installeren van de unit.

Installeer binnen-units

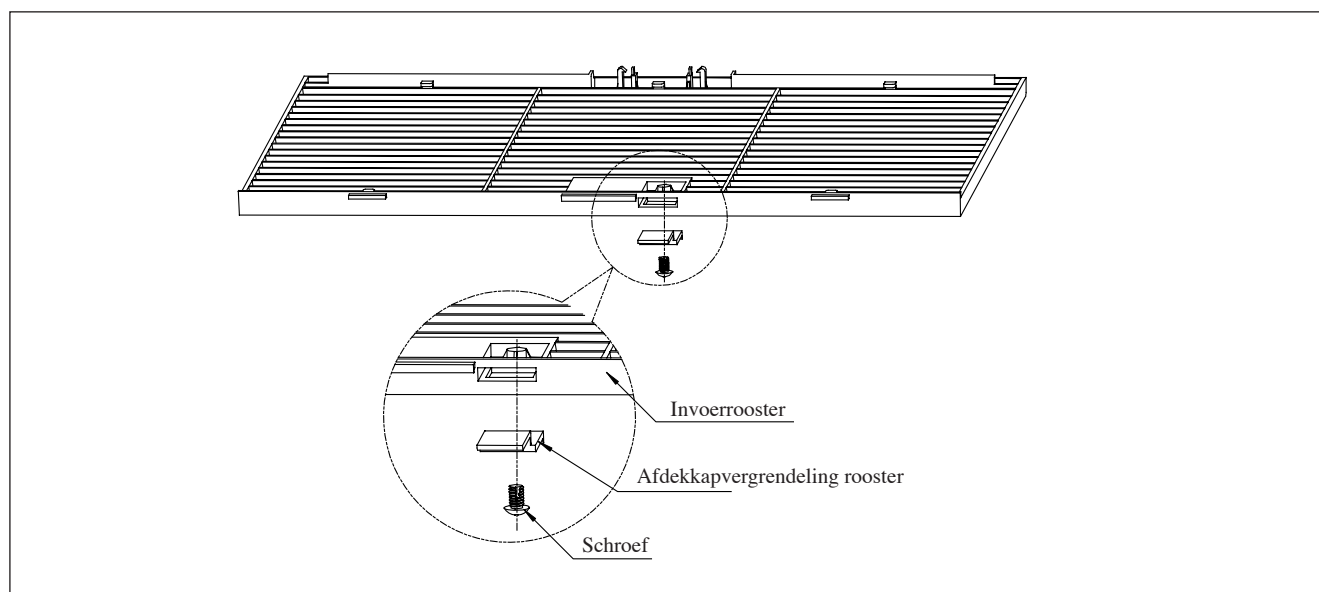
1. Steek de ophangbouten in het montagedeel van de ophangbeugel.
2. Plaats de moeren en de ring aan beide zijden van de metalen montagedelen.
3. Zet vast met moeren.

Installatie type Plafondmontage



Afdekkapvergrendeling Rooster (Beveiliging zodat gebruiker het bewegende gedeelte niet kan aanraken)

De afdekkapvergrendeling van het rooster moet worden geïnstalleerd zoals in onderstaande afbeelding wordt getoond.



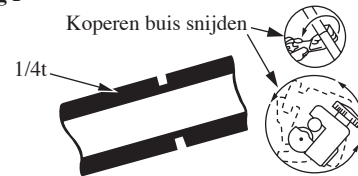
Als de unit moet worden nagezien, moeten onderstaande stappen worden gevolgd:

1. Controleer dat de unit is uitgeschakeld voordat u servicewerkzaamheden aan de unit verricht.
2. Draai met een schroevendraaier de schroef op de afdekkapvergrendeling van het rooster los.
3. Verwijder de afdekkapvergrendeling van het rooster en open het invoerrooster zodat u de unit kunt nazien.
4. Installeer het invoerrooster en schroef de afdekkap vast na de werkzaamheden en controleer dat de unit goed is geïnstalleerd.

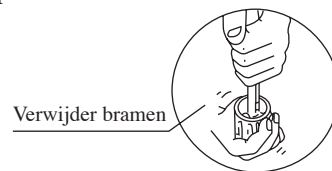
Werkzaamheden aan leidingen en optromptechniek

- Gebruik geen vervuilde of beschadigde koperen leiding. Als leidingen, de verdamper of de condensator bloot zijn komen te liggen of zijn geopend voor langer dan 15 seconden, moet de lucht aan het systeem worden onttrokken. Over het algemeen mag u geen kunststof, rubberen afdichtingen en koperen moeren van de afsluiters, installatiemateriaal, leidingen en spoelen verwijderen totdat de aanzuig- of vloeistofleiding op de afsluiters of het installatiemateriaal kan worden aangesloten.
- Als hardsoldeerwerk nodig is, zorg er dan voor dat er stikstofgas door de spoel en de koppelingen wordt gestuurd, terwijl het hardsoldeerwerk wordt uitgevoerd. Dit voorkomt de roetvorming op de binnenwanden van de koperen leidingen.
- Voer het snijden van de leiding deel voor deel uit, breng het snijvlak van de pijpsnijder langzaam naar voren. Extra kracht en een diepe zaagsnede veroorzaakt meer vervorming op de leiding en daardoor de vorming van extra bramen. Zie Afbeelding I.
- Verwijder bramen van de snijvlakken van de leidingen met ontbraamgereedschap zoals wordt getoond in Afbeelding II. Hierdoor wordt voorkomen dat er ongelijkmatigheden zouden kunnen ontstaan op de vlakken van het optrompgedeelte en wordt lekkage voorkomen. Houd de leiding omhoog en het ontbraamgereedschap omlaag zodat wordt voorkomen dat metaalsnippers de leiding binnendringen.
- Zet de optrompmoeren, gemonteerd op aansluitgedeelten van zowel de binnen-unit als de buiten-unit, in de koperen leidingen.
- Het optrompgereedschap bepaalt de juiste lengte van het gedeelte van de leiding dat boven het bovenoppervlak van het reductieblok uitsteekt. Zie Afbeelding III.
- Zet de leiding stevig vast op het reductieblok. Pas de middelpunten van zowel het optrompstempel en de optromppons op elkaar aan en zet vervolgens de optromppons volledig vast.

Afbeelding I



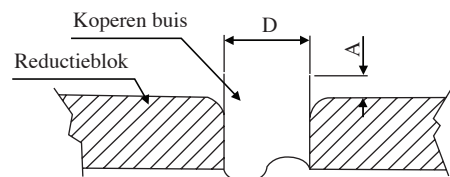
Afbeelding II



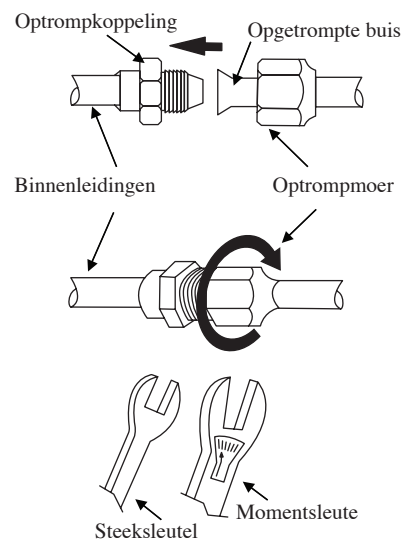
Aansluiting van leidingen op de Units

- Houd het midden van de leidingen tegenover elkaar en draai de optrompmoer voldoende met de vingers vast. Zie Afbeelding IV.
- Draai ten slotte de optrompmoer met de momentsleutel vast tot de sleutel klikt.
- Wanneer u de optrompmoer aandraait met de momentsleutel, is het belangrijk dat de aandraairichting de pijl volgt die op de sleutel staat aangeduid.
- De aansluiting van de koelmiddelleiding is geïsoleerd met polyethaan met gesloten cellen.

Afbeelding III



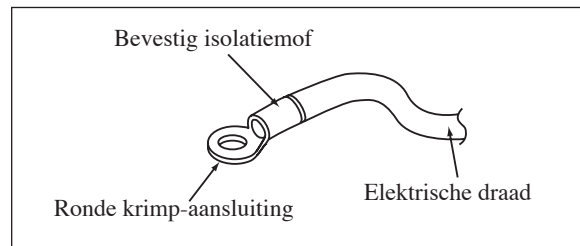
Afbeelding IV



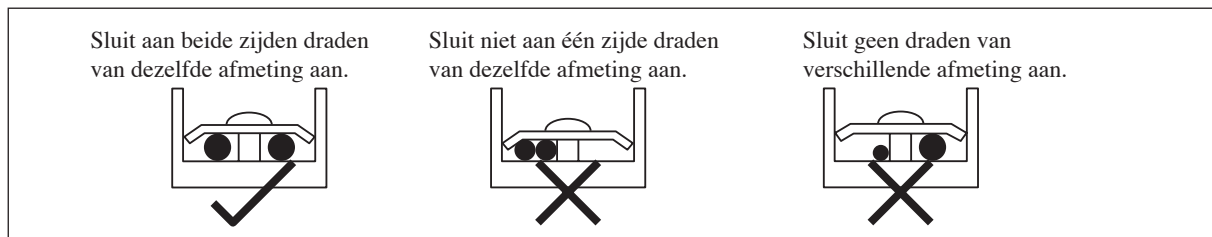
Leidingmaat (mm/in)	Draaimoment (Nm/ft-lb)
6,35 (1/4")	18 (13,3")
9,52 (3/8")	42 (31,0")
12,70 (1/2")	55 (40,6")
15,88 (5/8")	65 (48,0")
19,05 (3/4")	78 (57,6")

Ø Buis, D		A (mm)	
Inch	mm	Engelse maat (Vleugelmoertype)	Onbuigbaar (Koppelingtype)
1/4"	6,35	1,3	0,7
3/8"	9,52	1,6	1,0
1/2"	12,70	1,9	1,3
5/8"	15,88	2,2	1,7
3/4"	19,05	2,5	2,0

- Alle draden moet stevig worden aangesloten.
- Controleer dat geen van de draden de koelmiddelleidingen, de compressor of welke bewegende delen dan ook kan raken.
- De verbindingsdraad tussen de binnen-unit en de buiten-unit moeten worden vastgeklemd met behulp van de bijgeleverde draadverankerung.
- Het netsnoer moet ten minste voldoen aan de norm H07RN-F.
- Controleer dat er geen externe druk wordt uitgeoefend op de aansluitingen en de draden.
- Controleer dat alle afdekkingen goed zijn vastgezet zodat er geen kieren ontstaan.
- Gebruik voor het aansluiten van draden op het voedingsaansluitingsblok ronde krimpbevestiging. Sluit de draden aan volgens de aanwijzing op het aansluitblok. (Raadpleeg het bedradingsschema dat op de unit is bevestigd).



- Zet de schroeven met de juiste schroevendraaier vast op de aansluitschroeven. U zou de schroefkoppen kunnen beschadigen wanneer u een ongeschikte schroevendraaier gebruikt.
- U kunt de aansluitschroeven beschadigen wanneer u de schroeven te vast zet.
- Zet geen draden van verschillende afmetingen vast op dezelfde aansluiting.
- Houd de bedrading netjes geordend. Zorg ervoor dat de bedrading niet andere onderdelen en de afdekking van de aansluitkast in de weg kan zitten.



SPECIALE VEILIGHEIDSMATREGELEN, WANNEER U MET EEN R410A-APPARAAT OMGAAT

R410A is een nieuw HFC-koelmiddel dat de ozonlaag niet beschadigt. De werkdruk van dit nieuwe koelmiddel is 1,6 keer hoger dan die van conventionele koelmiddelen (R22) en daarom is juiste installatie / juist onderhoud van essentieel belang.

- Gebruik nooit een ander koelmiddel dan R410A in een airconditioner die is ontworpen voor gebruik van R410A.
- POE- of PVE-olie wordt gebruikt als smeermiddel voor de R410A-compressor, en deze olie verschilt van de minerale olie die wordt gebruikt voor de R22-compressor. Tijdens installatie of reparatie moet er op gelet worden, dat het R410A-systeem niet te lang wordt blootgesteld aan vochtige lucht. Resten van polyesterolie in de leidingen en in de componenten kunnen vochtigheid uit de lucht absorberen.
- Ter voorkoming van een vergissing bij het laden verschilt de diameter van de onderhoudspoort op de optrompklep van die van R22.
- Gebruik gereedschap en materialen die uitsluitend bedoeld zijn voor het koelmiddel R410A. Gereedschap dat uitsluitend bedoeld is voor R410A zijn een meewegafsluiter, laadslang, drukmeter, gaslekdetector, optrompgereedschap, momentsleutel, vacuümpomp en een cilinder met koelmiddel.
- Omdat in een R410A-airconditioner een hogere druk heerst dan in R22-units, is het van essentieel belang dat de juiste koperen leidingen worden gekozen. Gebruik nooit koperen leidingen dunner dan 0,8mm, ook al zijn die verkrijgbaar.
- Als er tijdens de installatie-/onderhoudswerkzaamheden lekkage van koelmiddelgas optreedt, is het belangrijk dat u goed ventileert. Als het koelmiddelgas in contact komt met vuur, kan een giftig gas ontstaan.
- Laat, wanneer u een air-conditioner installeert of weghaalt, geen lucht of vocht in de koelmiddelcyclus achter.

VACUÛM MAKEN EN LADEN

Het vacuümtrekken van het systeem is noodzakelijk om alle vocht en lucht te onttrekken.

De leidingen en de binnen-unit vacuümtrekken

De binen-unit en de leidingen van de koelmiddelaansluiting moeten van lucht worden ontdaan omdat lucht die vocht bevat en in de koelmiddelcyclus achterblijft, storing van de compressor kan veroorzaken.

- Verwijder de afdekkingen van de afsluiter en de onderhoudspoort.
- Sluit het midden van de laadmeter op de vacuümpomp aan.
- Sluit de laadmeter aan op de onderhoudspoort van de 3-wegafsluiter.
- Start de vacuümpomp. Trek het systeem vacuüm gedurende ongeveer 30 minuten. De tijd die het vacuümtrekken vraagt, varieert afhankelijk van de capaciteit van de vacuümpomp. Controleer dat de naald van de laadmeter naar -760mmHg is gegaan.

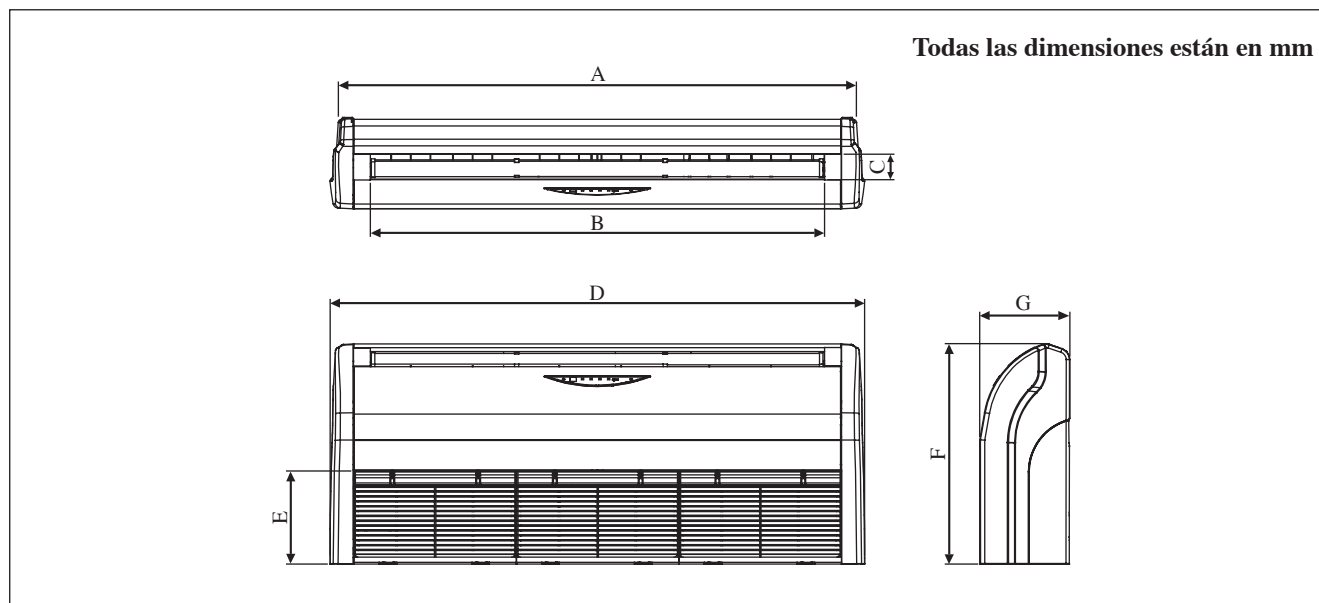
Let op

- Als de naald van de meter niet naar -760mmHg gaat, is het belangrijk dat u het systeem controleert op gaslekken (met de koelmiddeldetector) bij de opgetrompte aansluiting van de binnen- en buiten-unit en dat u het lek dicht voordat u verdergaat naar de volgende stap.
- Sluit de afsluiter van de laadmeter en zet de vacuümpomp stil.

MEMO

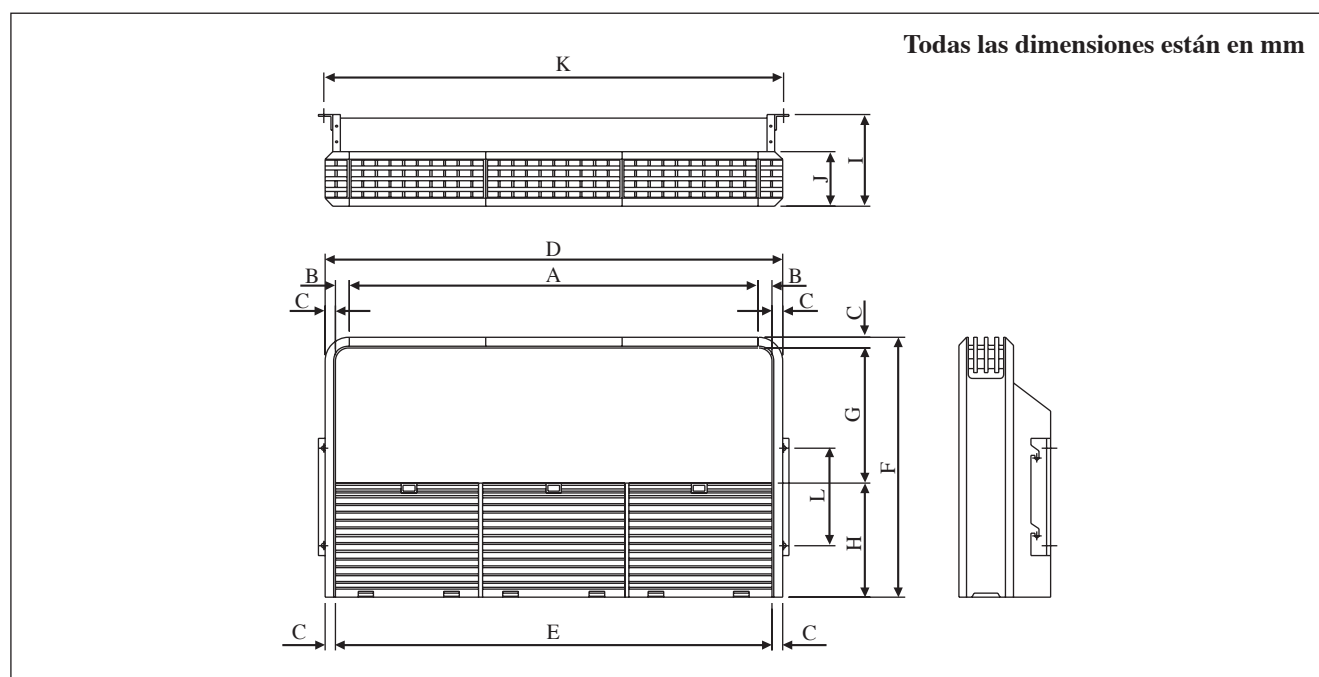
ESQUEMA Y DIMENSIONES

Unidad interior AHQ71/100/125CV1



Modelo \ Dimensión	A	B	C	D	E	F	G
AHQ71CV1	1272	1088	74	1320	268	635	259
AHQ100CV1	1490	1308	74	1538	268	635	259
AHQ125CV1	1738	1556	74	1786	268	635	259

Unidad interior AHQ140CV1



Modelo \ Dimensión	A	B	C	D	E	F	G	H	I	J	K	L
AHQ140CV1	1750	40	36	1903	1830	680	352	292	285	140	1880	250

MANUAL DE INSTALACIÓN





Este manual facilita instrucciones de instalación que garantizan un seguro y buen funcionamiento de la unidad de aire acondicionado. Es posible que sea necesario realizar un ajuste especial para adecuarse a los requisitos locales. Por favor, antes de usar su equipo de aire acondicionado, lea cuidadosamente este manual de instrucciones, y consérvelo para futuras consultas. Este aparato está diseñado para ser utilizado por especialistas o usuarios formados, en tiendas, industria ligera y en granjas, o para uso comercial por personas no expertas. Este equipo no está previsto para ser utilizado por personas con discapacidades físicas, sensoriales o psicológicas, incluyendo a los niños, al igual que personas sin experiencia o conocimientos necesarios para ello, a menos que dispongan de una supervisión o instrucciones sobre el uso del equipo proporcionadas por una persona responsable de su seguridad. Deberá vigilarse a los niños para evitar que jueguen con el aparato.

PRECAUCIONES DE SEGURIDAD

ADVERTENCIA

- La instalación y el mantenimiento deben ser realizados por personas calificadas que estén familiarizadas con el código y los reglamentos locales y que tengan experiencia en este tipo de equipo.
- Todo el cableado de campo debe instalarse de acuerdo al reglamento de cableado nacional.
- Antes de comenzar la instalación eléctrica de acuerdo con el diagrama de cableado, asegúrese de que el voltaje nominal de la unidad se corresponde con el de la placa de identificación.
- La unidad debe estar PUESTA A TIERRA para evitar posibles peligros debidos a fallas del aislamiento.
- Ningún cable eléctrico debe tocar el conducto de refrigeración ni ninguna parte móvil de los motores de ventilación.
- Antes de iniciar la instalación o reparación de la unidad, asegúrese de que ha sido apagada (OFF).
- Desconéctela de la fuente de energía principal antes de una revisión de la unidad de acondicionador de aire.
- NO tire del cable de energía cuando esté en funcionamiento. Esto puede causar serias descargas eléctricas que pueden resultar en riesgo de incendio.
- Mantenga las unidades interiores y exteriores, el cable de corriente y el cableado de transmisión, como mínimo a 1m de las TVs y radios, para evitar imágenes distorsionadas y estáticas. {Según el tipo y fuente de las ondas eléctricas, puede que oiga ruidos incluso a más de 1m}.

PRECAUCIÓN

- Asegúrese de seguir durante la instalación los siguientes puntos importantes.
- **No instale la unidad ahí donde pueda haber fuga de gas inflamable.**
 Si el gas se escapa y se acumula alrededor de la unidad, podría iniciarse un incendio.
 - **Asegúrese de que la tubería de desagüe está conectada correctamente.**
 Si la tubería de desagüe no está conectada correctamente se puede producir una fuga de agua que mojaría los muebles.
 - **No sobrecargar la unidad.**
 Esta unidad está pre-cargada en fábrica. Su sobrecarga ocasionará sobre-corriente o rotura del compresor.
 - **Asegúrese de que el panel de la unidad vuelve a cubrirla bien colocado o de cualquier reparación.**
 Un panel mal sujetado hará que la unidad haga ruido al funcionar.
 - **Los extremos afilados y superficies de la bobina son lugares potenciales que podrían provocar peligro de lesiones.**
Evite todo contacto con estas partes.
 - **Antes de desenchufar la fuente de energía, coloque el interruptor de control remoto ON/OFF en posición "OFF" para impedir la molesta activación de la unidad.** Si no es así, los ventiladores de la unidad empezarán a girar automáticamente cuando se restablezca la corriente, significando un peligro para el personal técnico o para el usuario.
 - **No opere aparatos de calor cerca de la unidad de aire acondicionado.** Esto podría derretir el panel de plástico o deformarlo como resultado del calor excesivo.
 - **No instale las unidades en o cerca de la puerta.**
 - **No opere aparatos de calor cerca de la unidad de aire acondicionado ni los utilice en una habitación donde haya aceite mineral, vapor de aceite ya que eso puede provocar que una pieza de plástico se derrita o deforme como resultado del calor excesivo o de una reacción química.**
 - **Cuando la unidad se utilice en la cocina, evite que entre harina en la zona de aspiración de la unidad.**
 - **Esta unidad no es adecuada para su uso en fábricas donde haya niebla de aceite cortante o haya polvo de acero o en zonas donde el voltaje fluctúe mucho.**
 - **No instale las unidades en un lugar como un muelle caliente o una planta refinadora de petróleo donde haya gases sulfúricos.**
 - **Asegúrese de que el color de los cables de la unidad exterior y de las marcas de la terminal son iguales a los de la unidad interior respectivamente.**
 - **¡IMPORTANTE! NO INSTALE O UTILICE LA UNIDAD DE AIRE ACONDICIONADO EN UNA HABITACIÓN DE LAVANDERÍA.**
 - **No utilice cables con líos o juntas para la alimentación entrante.**
 - **Evite el contacto directo de cualquier limpiador de tratamiento de serpentín en la parte plástica. Esto podría provocar deformaciones en la parte plástica como resultado de una reacción química.**
 - **Para cualquier duda sobre piezas de recambio, póngase en contacto con su proveedor autorizado.**
 - **El equipamiento no es aplicable para un ambiente potencialmente explosivo.**

AVISO

Requisitos para la eliminación

Su acondicionador de aire está marcado con este símbolo. Esto significa que los productos eléctricos y electrónicos no deben mezclarse con el resto de residuos domésticos no clasificados.

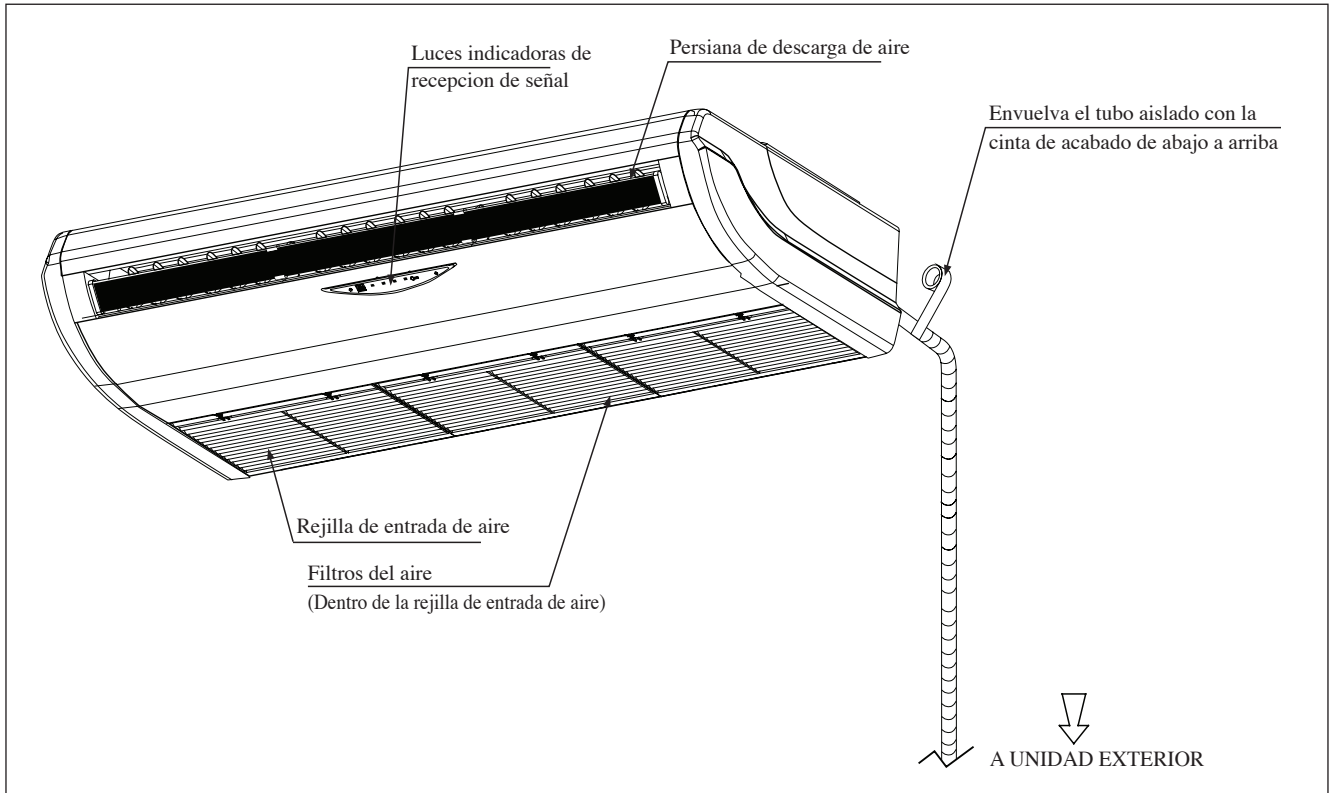
No intente desmontar el sistema usted mismo: el desmantelamiento del acondicionador de aire, así como el tratamiento del refrigerante, aceite y otros componentes, debe ser efectuado por un instalador competente de acuerdo con las normas locales y nacionales aplicables.

Los acondicionadores de aire deben ser tratados en instalaciones especializadas para su reutilización, reciclaje y recuperación. Al asegurarse de desechar este producto de la forma correcta, está contribuyendo a evitar posibles consecuencias negativas para el entorno y para la salud de las personas. Contacte, por favor, con el instalador o con las autoridades locales para obtener más información.

Las pilas del control remoto deben extraerse y eliminarse por separado y de acuerdo con la normativa local y nacional aplicable.



DIAGRAMMA DE LA INSTALACIÓN (AHQ71/100/125CV1)



Español

INSTALACIÓN DE LA UNIDAD INTERIOR (AHQ71/100/125CV1)

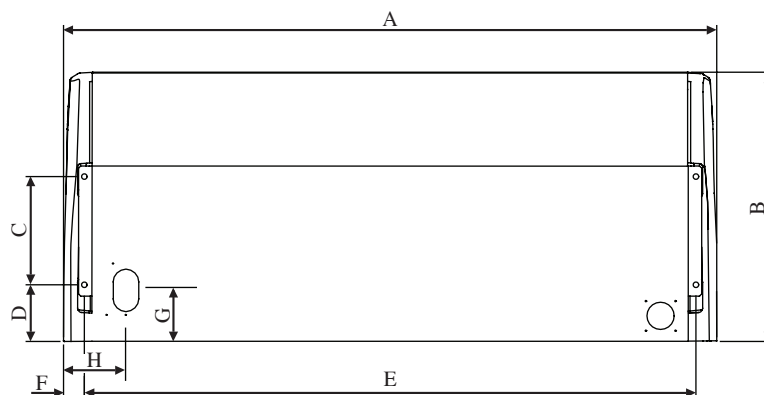
Revisión preliminar del lugar

- La fluctuación de voltaje del suministro eléctrico no debe ser superior a $\pm 10\%$ del voltaje nominal. Las líneas de suministro de electricidad deben ser independientes de los transformadores de soldadura que pueden causar una fluctuación alta en el suministro.
- Asegúrese de que el emplazamiento sea adecuado para el cableado, las tuberías y el drenaje.

Montaje estándar

Asegúrese que los soportes elevados sean bastante fuertes para sostener el peso de la unidad. Coloque las barras de suspensión (soporte de montaje de pared para la posición de piso), y compruebe su alineación con la unidad como se muestra en el Figura A. Compruebe también que las suspensiones estén aseguradas y la base de la unidad de ventilador fan coil nivelada en ambas direcciones horizontales, teniendo en cuenta la pendiente para el drenaje como se muestra en el Figura B.

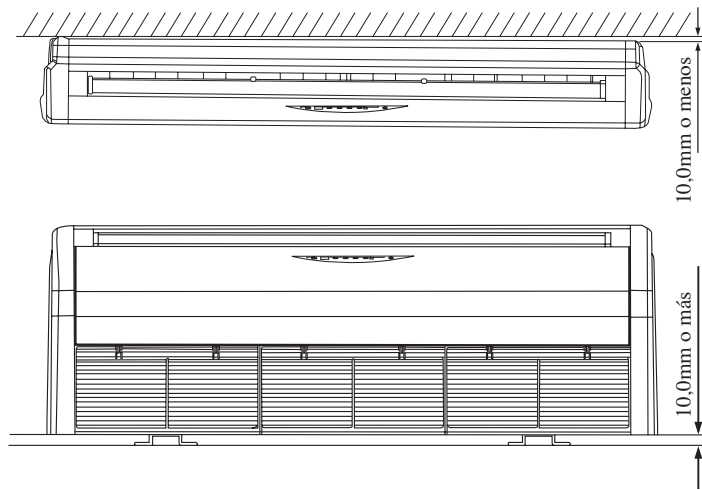
Figura A



Todas las dimensiones están en mm

Modelo \ Dimensión	A	B	C	D	E	F	G	H
AHQ71CV1	1320	635	255	134	1222	49	148	120
AHQ100CV1	1538	635	255	134	1440	49	148	120
AHQ125CV1	1786	635	255	134	1688	49	148	120

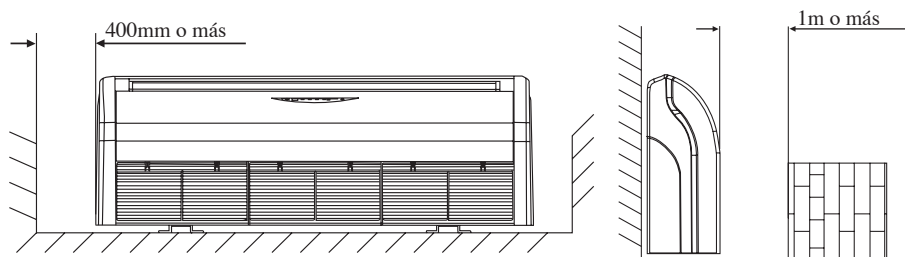
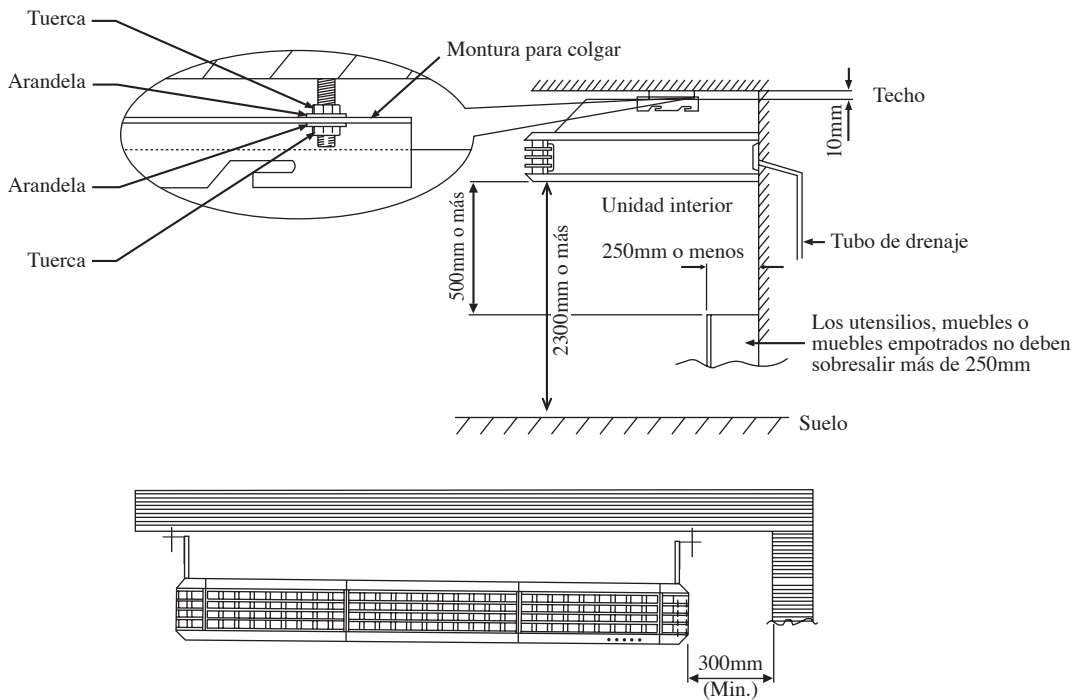
Figura B



Por favor asegúrese de realizar los pasos siguientes:

- La instalación de la unidad debería estar inclinado al menos 10 mm como se recomienda en la Figura B.
- La inclinación de la tubería de drenaje se debería mantener al menos a 1:100.
- Deje espacio libre para una revisión fácil y un óptimo flujo de aire como se ve en el Figura C.
- La unidad de interior debe ser instalada de tal forma que no haya ningún cortocircuito de la descarga de aire frío con el retorno del aire caliente.
- No instale la unidad de interior donde haya luz solar directa sobre la unidad. La posición debería ser conveniente para la instalación del drenaje y las tuberías. La unidad debe estar a una gran distancia de la puerta.

Figura C



Montaje en el suelo

INSTALACIÓN BAJO EL TECHO (AHQ71/100/125CV1)

Instale pernos de suspensión

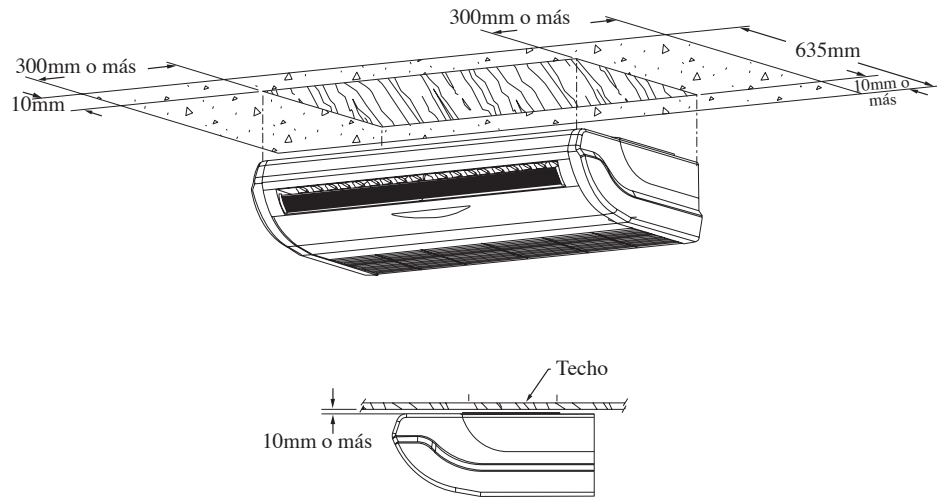
1. Instale los pernos de suspensión de forma que pueda soportar la unidad interior.
2. Ajuste la distancia al techo antes de la instalación.
3. Consulte la dimensión proporcionada para instalar la unidad.

Instale unidades interiores

1. Introduzca los pernos de suspensión en la estructura de la montura para colgar.
2. Ponga las tuercas y las arandelas en ambos lados de los empalmes de metal.
3. Asegúrelos con tuercas.

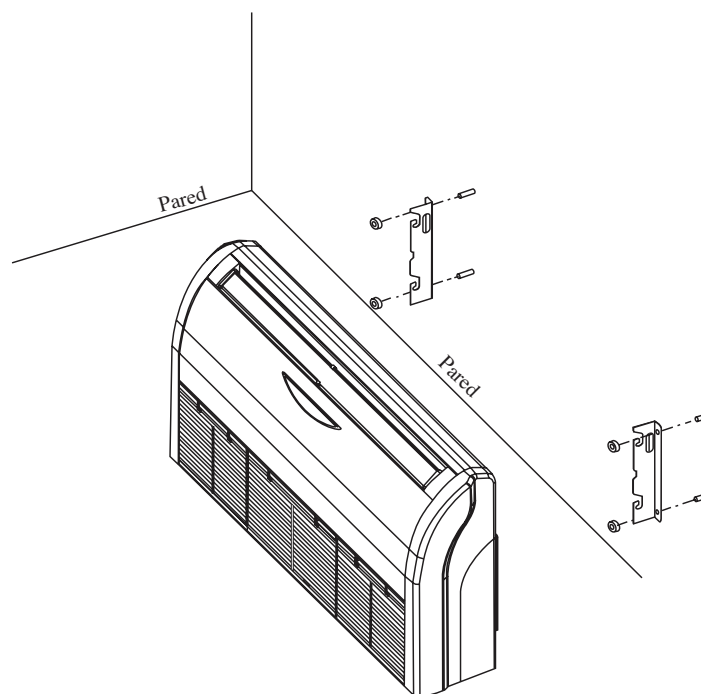
Instalación de tipo de techo

Figura D



Instalación de suelo

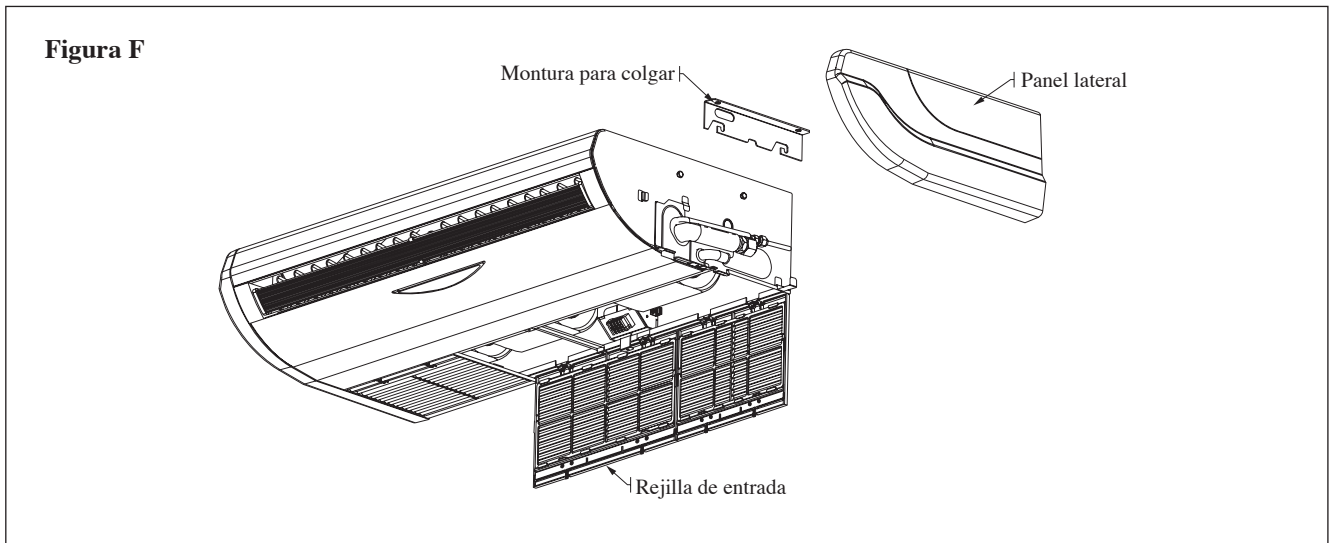
Figura E



Instalación - Techo expuesto

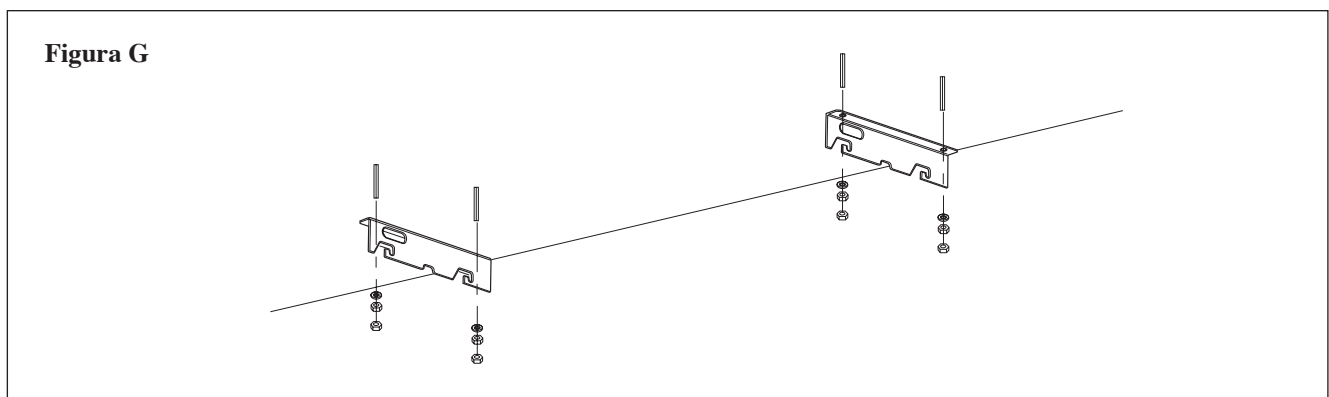
Paso 1

Extraer la rejilla de entrada de aire, el panel lateral y montura para colgar la unidad. Por favor consulte Figura F.



Paso 2

Coloque la barra de colgar como se muestra en la Figura G y instale la montura para colgar.



Paso 3

Cuelgue la unidad y ajuste el perno después de instalar la tubería y desagüe. Por favor consulte Figura H. Finalmente instale la rejilla de entrada y el panel lateral en la posición correcta. Por favor consulte Figura I.

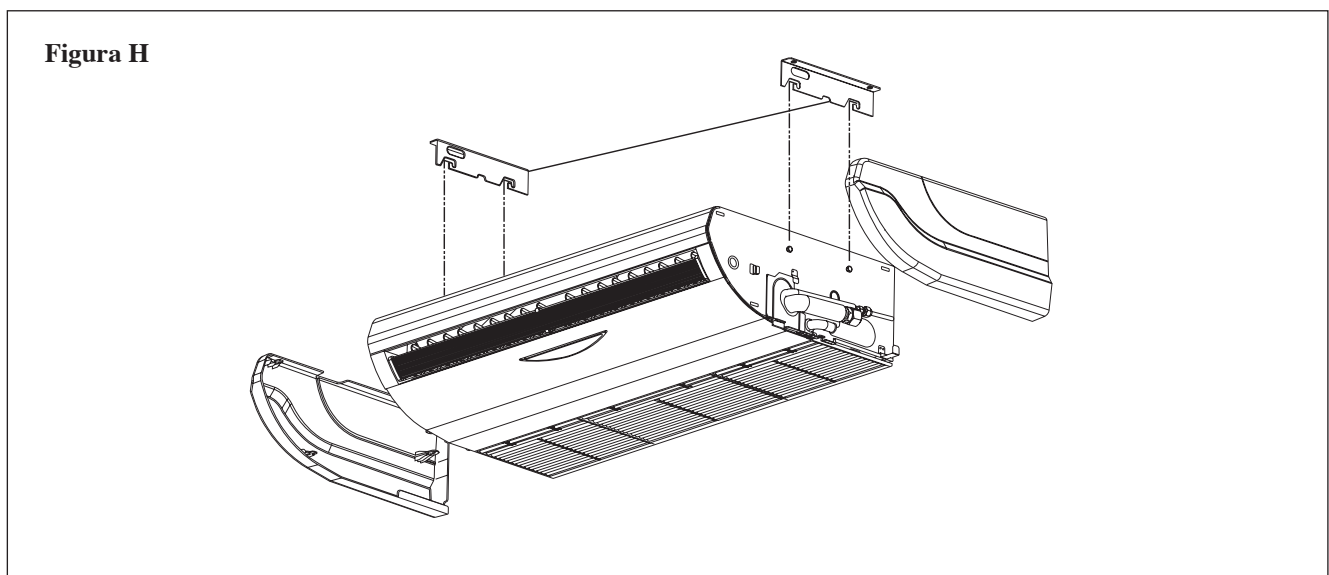
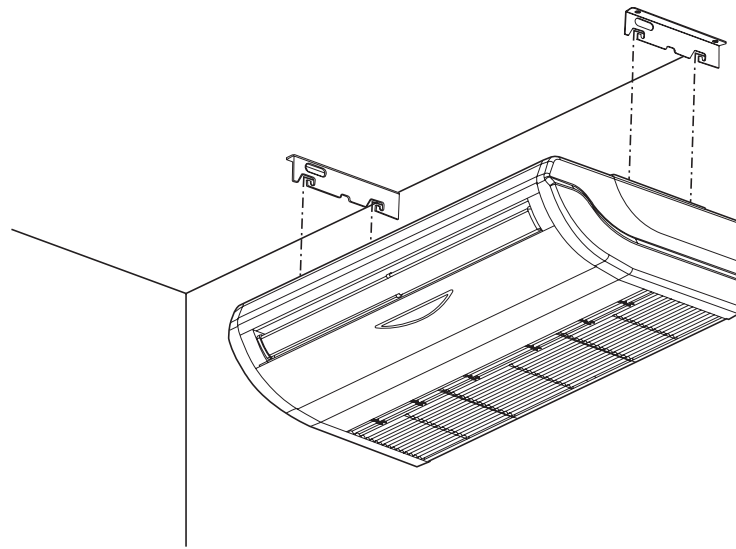
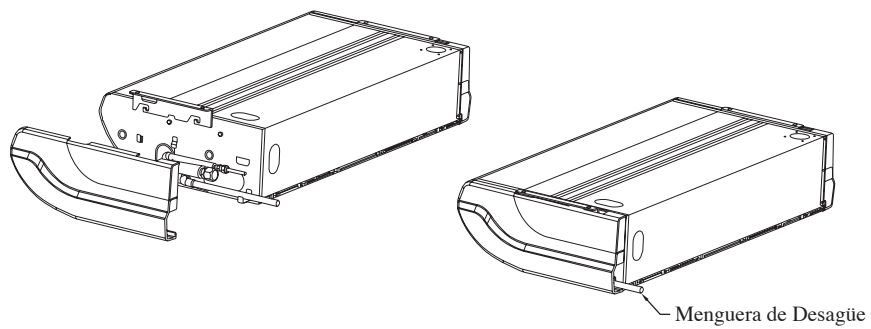


Figura I



Tubería e instalación de la manguera de desagüe

Figura J



Pasos para abrir la rejilla de entrada

1. Suelte el tornillo que sostiene el bloque de traba de la rejilla con un destornillador.
2. Extraiga la traba de la rejilla y destrábela.
3. Observe la Figura K.

Figura K

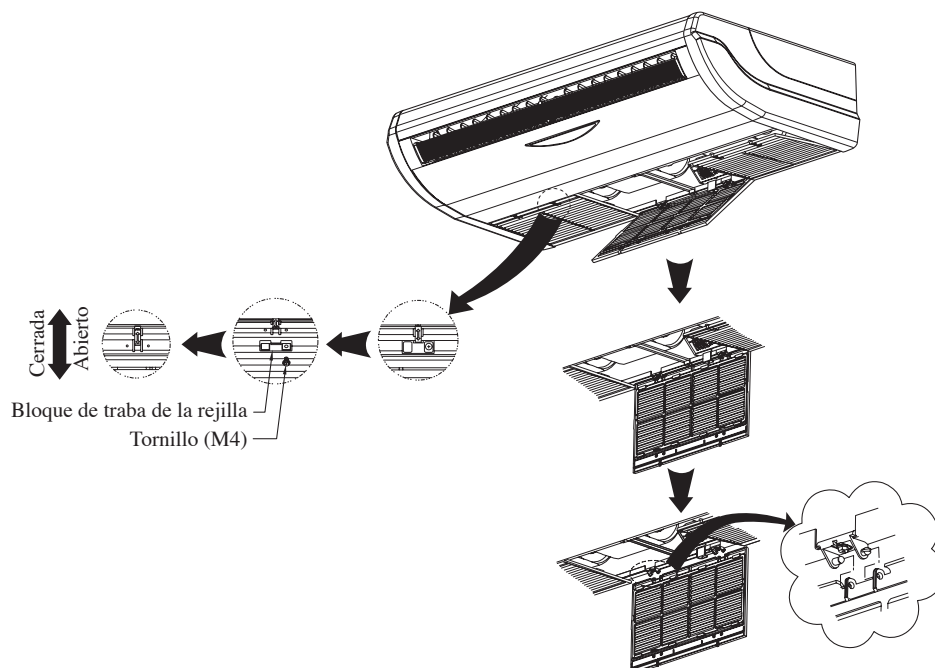
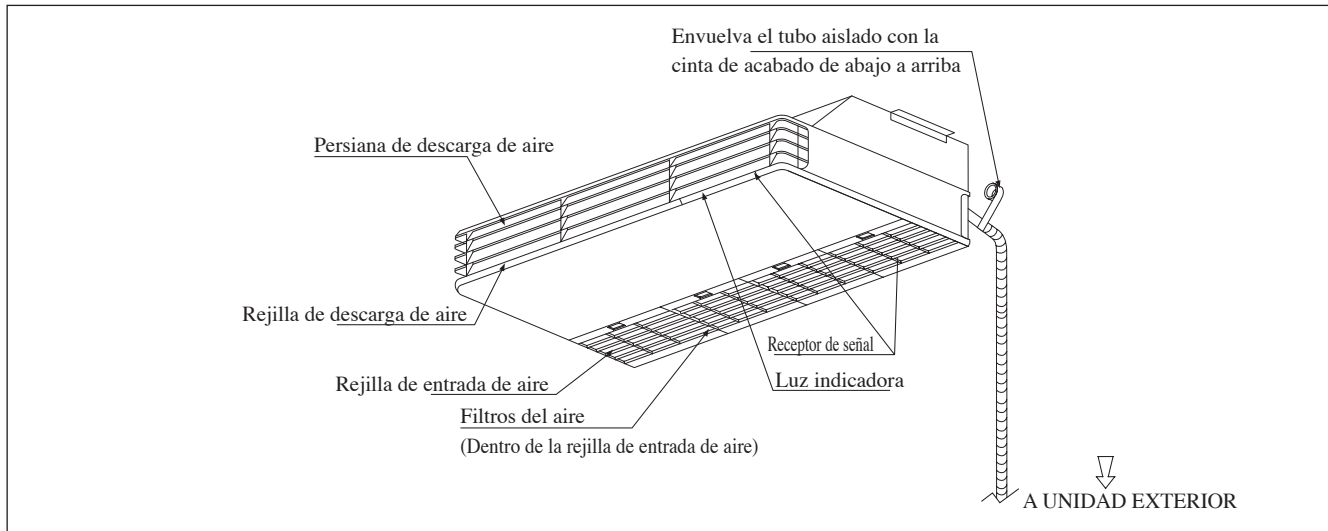


DIAGRAMMA DE LA INSTALACIÓN (AHQ140CV1)



INSTALACIÓN DE LA UNIDAD INTERIOR (AHQ140CV1)

Revisión preliminar del lugar

- La fluctuación del voltaje no debe exceder el $\pm 10\%$ de la tensión nominal. Las líneas de suministro de electricidad deben ser independientes de los transformadores de soldadura que pueden causar una fluctuación alta en el suministro.
- Asegúrese de que el emplazamiento elegido para la instalación es conveniente para la colocación de cables y drenaje.

Montaje estándar

Asegúrese que los soportes elevados sean bastante fuertes para sostener el peso de la unidad. Coloque las barras de suspensión, y compruebe su alineación con la unidad. También, compruebe que las suspensiones estén aseguradas.

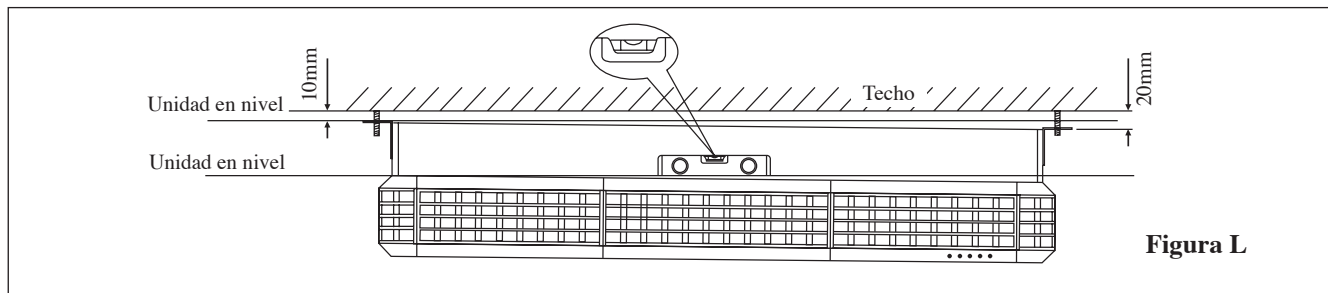


Figura L

Por favor asegúrese de realizar los pasos siguientes:

- La instalación e la unidad debe estar inclinada al menos 10mm como se recomienda en la Figura L.
- La inclinación de la tubería de drenaje se debería mantener al menos a 1:100.
- Deje espacio libre para una revisión fácil y un óptimo flujo de aire como se ve en la Figura M.
- La unidad de interior debe ser instalada de tal forma que no haya ningún cortocircuito de la descarga de aire frío con el retorno del aire caliente.
- No instale la unidad de interior donde haya luz solar directa sobre la unidad. La posición debería ser conveniente para la instalación del drenaje y las tuberías. La unidad debe estar a una gran distancia de la puerta.

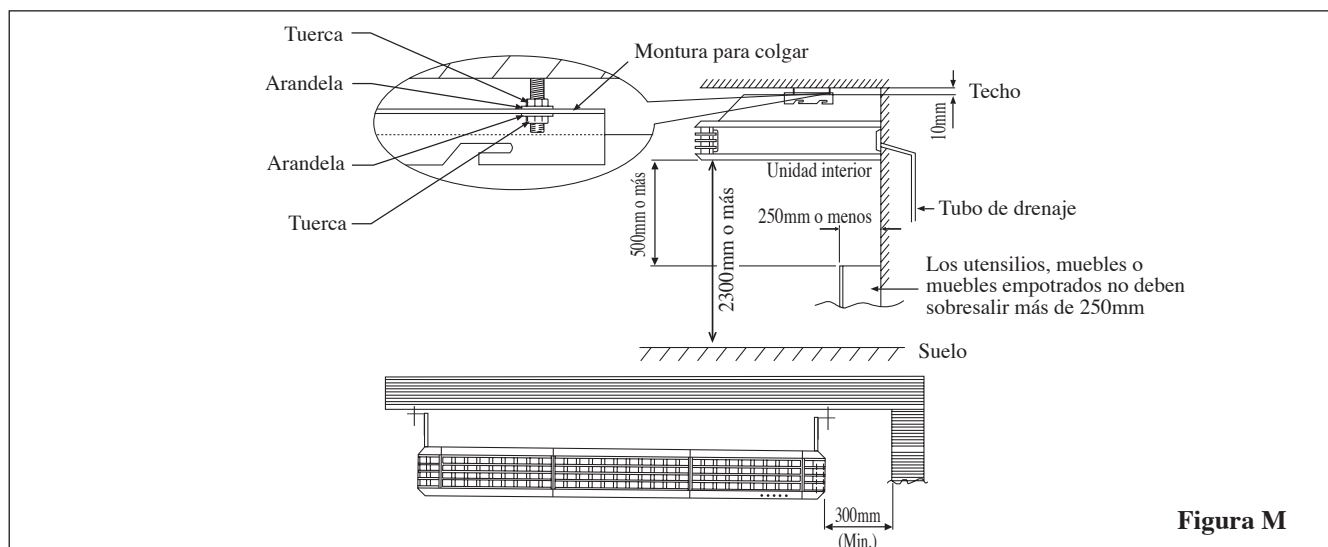


Figura M

INSTALACIÓN BAJO EL TECHO (AHQ140CV1)

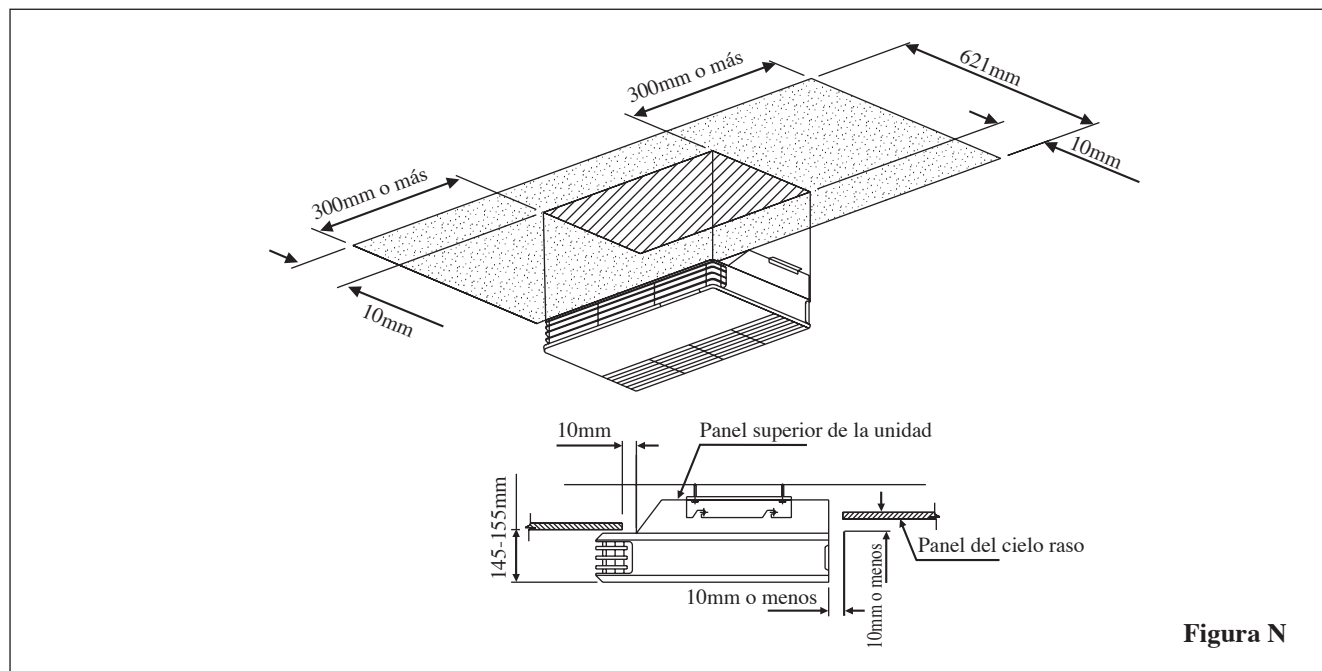
Instale pernos de suspensión

1. Instale los pernos de suspensión de forma que pueda soportar la unidad interior.
2. Ajuste la distancia al techo antes de la instalación.
3. Consulte la dimensión facilitada por la Figura N para instalar la unidad.

Instale unidades interiores

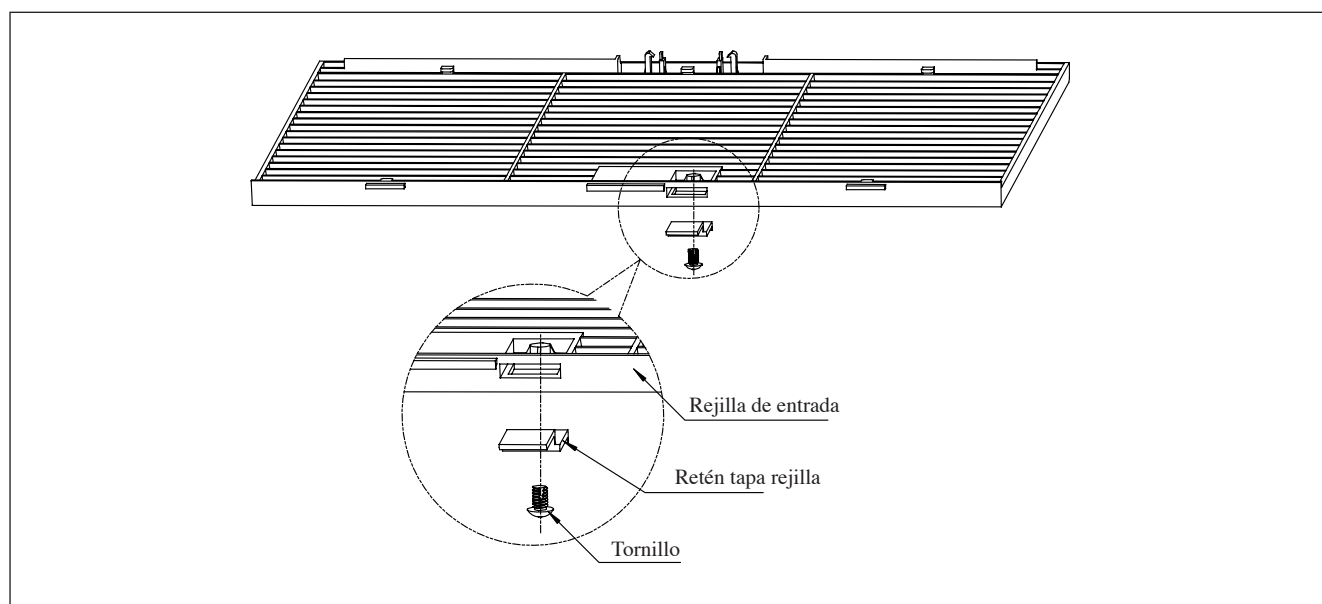
1. Introduzca los pernos de suspensión en la estructura de la montura para colgar.
2. Ponga las tuercas y las arandelas en ambos lados de los empalmes de metal.
3. Asegúrelos con tuercas.

Instalación de tipo de techo



Retén tapa rejilla (protección contra contacto del usuario con partes móviles)

El retén de la tapa rejilla se debe instalar como se indica en el gráfico siguiente.

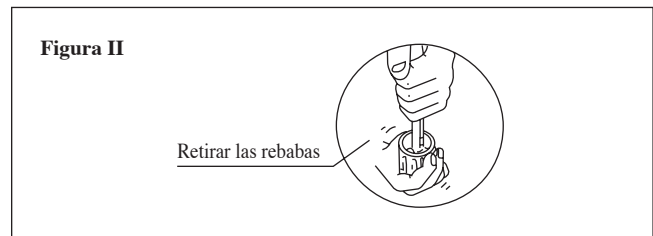
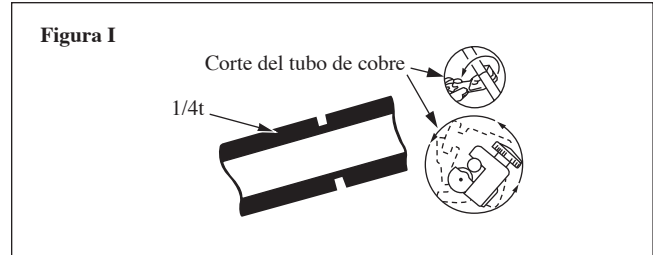


Si la unidad necesita servicio técnico, se deben seguir los pasos siguientes:

1. Confirme que la unidad esté apagada antes de proceder.
2. Use un destornillador para desbloquear el tornillo del retén de la tapa rejilla.
3. Extraiga el retén de la tapa rejilla y abra la rejilla de entrada para el servicio.
4. Después del servicio instale la rejilla de entrada y atornille el retén respectivo y verifique que la unidad esté correctamente instalada.

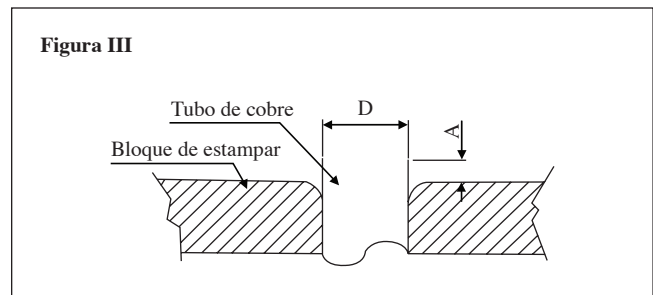
Instalación De Tuberías y Tecnica De Abocinamiento

- No use tuberías de cobre dañadas o contaminadas. Si se ha expuesto alguna tubería, evaporador o condensador o ha estado abierto durante 15 segundos o más, el sistema ha de aspirarse. Generalmente, no retire los plásticos, tapones de goma y tuercas de latón de las válvulas, empalmes, tubos y serpentinas hasta estar preparados para su conexión.
- Si es necesario algún trabajo de cobresoldadura, asegúrese de hacer pasar gas nitrógeno a través de los tubos y juntas mientras realiza el trabajo de soldadura. De este modo, se evitará la formación de hollín en las paredes interiores de los tubos de cobre.
- Corte la tubería paso a paso, haciendo avanzar la cuchilla del cortador de tubos lentamente. Un exceso de fuerza y un corte profundo producirían una mayor deformación de la tubería, y por lo tanto, más rebabas. Véase la Figura I.
- Retire las rebabas de los bordes cortados de las tuberías con un extractor, como se muestra en la Figura II. Así evitará una irregularidad en las caras abocinadas que resultaría en una fuga de gas. Sujete el tubo por su parte superior y la herramienta quitarrebabas en la posición inferior para evitar que las virutas metálicas se introduzcan en el tubo.
- Inserte las tuercas abocinadas, montadas sobre las partes de la conexión tanto de la unidad de interior como de la unidad de exterior, en las tuberías de cobre.
- La longitud exacta de la tubería que sobresale de la cara de la matriz de abocinamiento se determina mediante una herramienta de abocinamiento. Consulte la Figura III.
- Fije la tubería firmemente sobre el bloque de estampar. Alinee los centros de la matriz de abocinamiento y del punzón de abocinamiento, y apriete entonces el punzón de abocinamiento completamente.



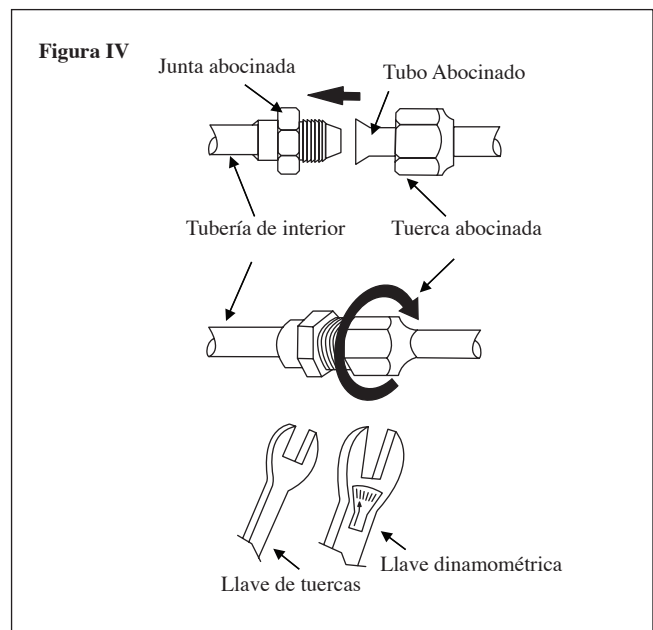
Conexión De Las Tuberías A Las Unidades

- Alinee el centro de la tubería y apriete suficientemente la tuerca abocinada con los dedos. Consulte la Figura IV.
- Finalmente, apriete la tuerca abocinada con la llave dinamométrica hasta que la llave haga "clíc".
- Al apretar la tuerca abocinada con la llave dinamométrica, asegúrese de que aprieta en el sentido indicado por la flecha de la llave.
- La conexión de tubería de refrigerante están aisladas por poliuretano de celda cerrada.

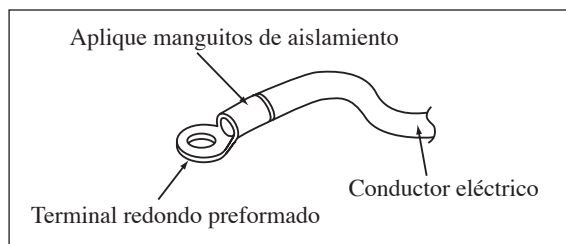


Tamaño de la Tubería (mm/pulg)	Par (Nm/ft-lb)
6,35 (1/4")	18 (13,3")
9,52 (3/8")	42 (31,0")
12,70 (1/2")	55 (40,6")
15,88 (5/8")	65 (48,0")
19,05 (3/4")	78 (57,6")

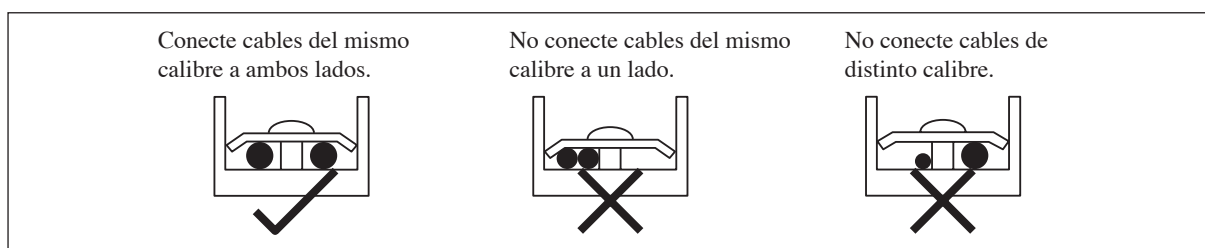
Ø Tubo, D		A (mm)	
Pulgada	mm	Imperial (Tipo tuerca de mariposa)	Rigido (Tipo de acoplamiento)
1/4"	6,35	1,3	0,7
3/8"	9,52	1,6	1,0
1/2"	12,70	1,9	1,3
5/8"	15,88	2,2	1,7
3/4"	19,05	2,5	2,0



- Todos los alambres deben estar conectados firmemente.
- Asegúrese de que ningún cable toque las tuberías de refrigeración, el compresor ni las piezas en movimiento.
- El cable de conexión entre la unidad interior y la unidad exterior se debe clavar con el anclaje de cable provisto.
- El cable del enchufe para el toma corriente debe de ser equivalente H07RN-F, tomando este como un mínimo requerimiento.
- Asegúrese de no aplicar presión externa a los conectores y cables del borne.
- Asegúrese de que todas las cubiertas se fijen correctamente para evitar cualquier espacio.
- Utilice terminales preformados para conectar los cables a la regleta de bornes de la fuente de alimentación. Conecte los cables siguiendo las indicaciones en la regleta de bornes. (Consulte el diagrama de conexiones colocado en la unidad).



- Use el destornillador adecuado para ajustar los tornillos de los bornes. Los destornilladores incorrectos pueden dañar la cabeza del tornillo.
- Si se ajusta demasiado se pueden dañar los tornillos del borne.
- No conecte cables de diferente calibre al mismo borne.
- Mantenga el cableado ordenado. Evite que el cableado obstruya otras piezas y la cubierta de la caja de bornes.



PRECAUCIONES ESPECIALES AL OCUPARSE DE LA UNIDAD DE R410A

R410A es un refrigerante nuevo de HFC que no daña la capa de ozono. La presión de funcionamiento de este refrigerante nuevo es 1,6 veces más alta que el refrigerante convencional(R22), o sea que es esencial una instalación/servicio apropiado.

- Nunca refrigerante del uso con excepción de R410A en un acondicionador de aire que se diseña para funcionar con R410A.
- El aceite de POE o PVE se utiliza como lubricante para el compresor de R410A, que es diferente del aceite mineral usado para el compresor R22. Durante la instalación o el mantenimiento, la precaución adicional se debe tomar para no exponer el sistema de R410A demasiado largo al aire húmedo. El aceite residual de POE o PVE en la tubería y los componentes pueden absorber la humedad del aire.
- Evitar mischarging, el diámetro del puerto del servicio en la válvula de la llamarada es diferente de el de R22.

- Utilice las herramientas y los materiales exclusivamente para el refrigerante R410A. Las herramientas para R410A son exclusivamente válvula múltiple, manguera de carga, manómetro de presión, detector del escape del gas, herramientas de la llamarada, llave de esfuerzo de torsión, bomba de vacío y cilindro del refrigerante.
- Pues un acondicionador de aire de R410A incurre en una presión más alta que las unidades R22, es esencial elegir las pipas de cobre correctamente. Nunca deluente de cobre de las pipas del usuario que 0,8mm aunque están disponibles en el mercado.
- Si el gas del refrigerante se escapó durante la instalación/servicing, sea seguro ventilar completamente. Si el gas refrigerante viene en contacto con el fuego, un gas venenoso puede ocurrir.
- Al instalar o quitando un acondicionador de aire, no permita que el aire o la humedad permanezca en el ciclo refrigerante.

ASPIRACIÓN Y CARGA

La aspiración es necesaria para eliminar toda la humedad y aire del sistema.

Purga de la tubería y la unidad interior

La unidad interior y los tubos de conexión refrigerantes deben ser purgados de aire porque el aire que contiene la humedad que permanece en el ciclo refrigerante puede hacer funcionar mal al compresor.

- Retirar las tapas de la válvula y del agujero de servicio.
- Conecte el centro del calibrador de carga a la bomba de vacío.
- Conecte el calibrador de carga al orificio de servicio de la válvula de 3 vías.

- Arranque la bomba de vacío. Evacue aproximadamente durante 30 minutos. El tiempo de evacuación varía según la capacidad de la bomba de vacío. Asegúrese de que la aguja del calibrador de carga se ha movido hacia -760mmHg.

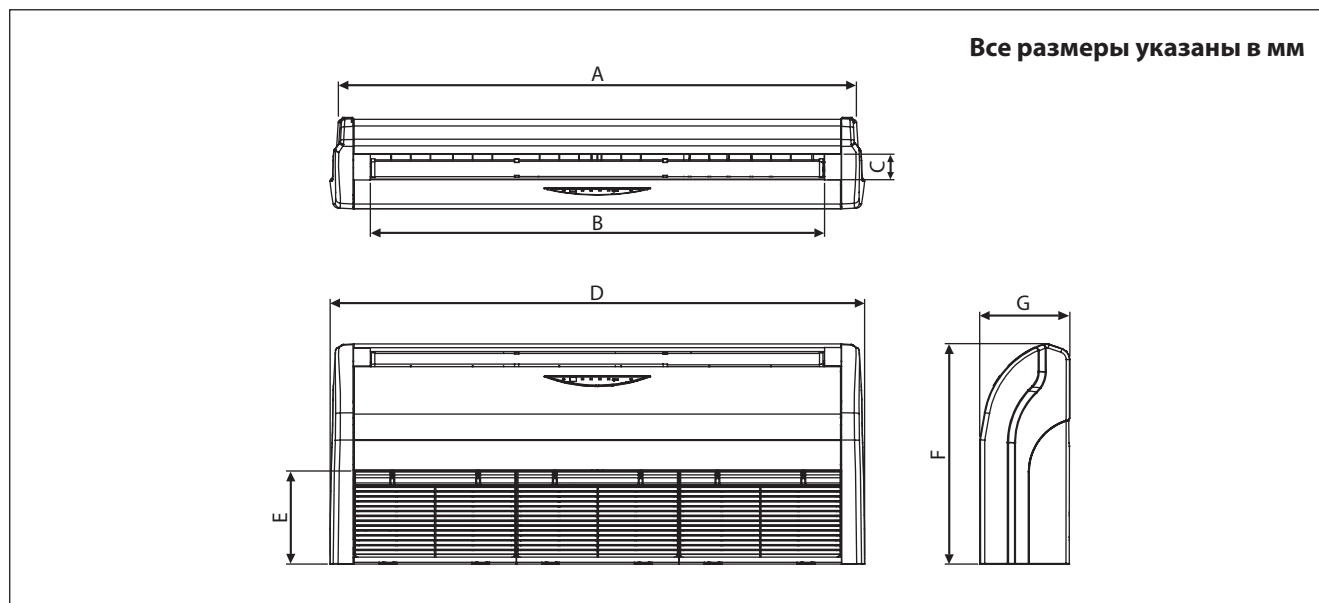
Precaución

- Si la aguja del calibrador no se mueve a -760mmHg, compruebe las fugas de gas (utilizando detector de refrigerante) en la conexión de tipo abocinada de la unidad interior y exterior y repare la fuga antes de seguir con el siguiente paso.
- Cierre la válvula del calibrador de cambio y pare la bomba de vacío.

EL MEMORÁNDUM

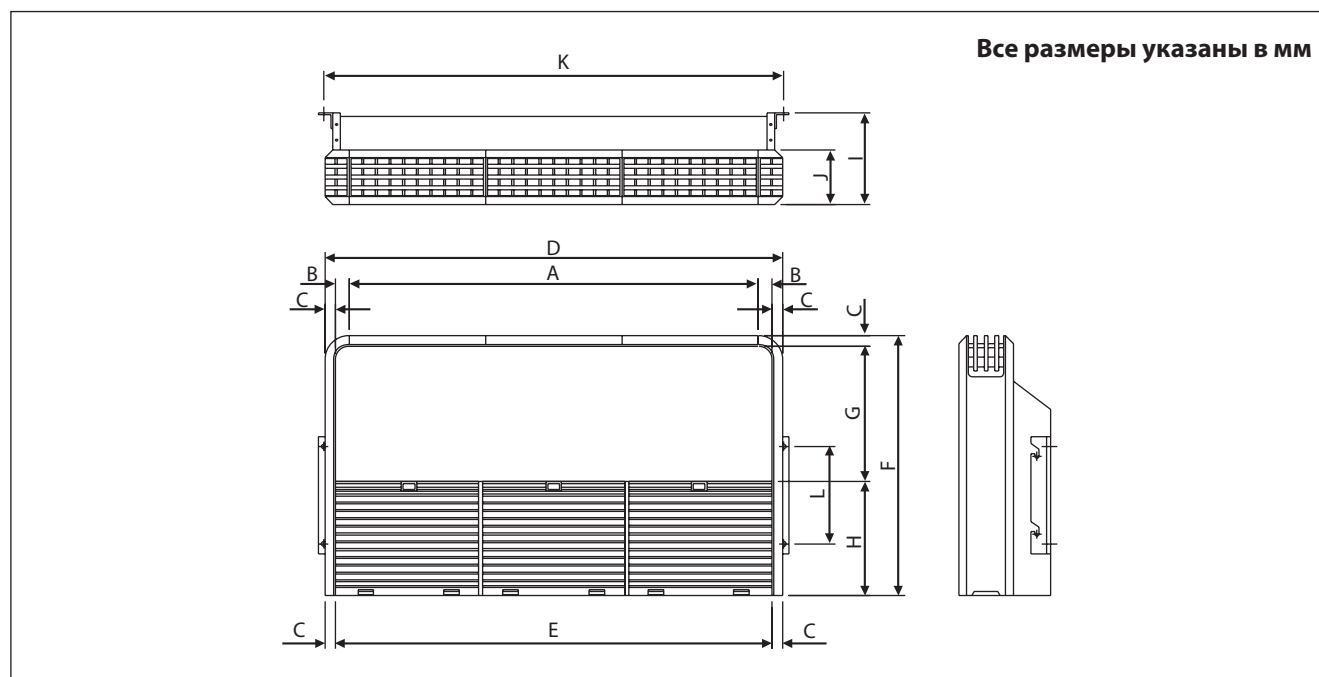
СХЕМА И РАЗМЕРЫ

Комнатного блок АНQ71/100/125CV1



Размер	A	B	C	D	E	F	G
АНQ71CV1	1272	1088	74	1320	268	635	259
АНQ100CV1	1490	1308	74	1538	268	635	259
АНQ125CV1	1738	1556	74	1786	268	635	259

Комнатного блок АНQ140CV1



Размер	A	B	C	D	E	F	G	H	I	J	K	L
АНQ140CV1	1750	40	36	1903	1830	680	352	292	285	140	1880	250

РУКОВОДСТВО ПО УСТАНОВКЕ

Это руководство рассматривает процедуру установки с целью обеспечения безопасности и соответствующих стандартов для функционирования блока кондиционера.

Специальная регулировка по месту установки может быть необходима.

Перед использованием Вашего кондиционера, прочитайте, пожалуйста, внимательно данное руководство по эксплуатации и сохраните его для обращения за справками в будущем.

Этот аппарат предусмотрен для использования опытным и обученным персоналом в магазинах, в легкой промышленности и сельском хозяйстве, или для коммерческого применения непрофессионалами.

Данное устройство не предназначено к эксплуатации лицами (включая детей) с ограниченными физическими, сенсорными или умственными возможностями, а равно и теми, у кого нет соответствующего опыта и знаний. Такие лица допускаются к эксплуатации устройства только под наблюдением или руководством лица, несущего ответственность за их безопасность.

За детьми необходим присмотр во избежание игр с устройством.


МЕРЫ ПРЕДОСТОРОЖНОСТИ

ВНИМАНИЕ

- Установка и техническое обслуживание должны проводиться квалифицированным персоналом, знающим местный код и положения и имеющим опыт работы с данным видом устройств.
- Весь монтаж проводов должен проводиться в соответствии с национальными правилами электромонтажа.
- Перед началом электромонтажа удостоверьтесь, что напряжение блока соответствует указанному на табличке, согласно электрической схеме.
- Блок должен быть **ЗАЗЕМЛЕН** для предотвращения возможной опасности в результате неправильной установки.
- Электропроводка не должна соприкасаться с трубопроводом хладагента или движущимися частями двигателей вентилятора.
- Удостоверьтесь, что блок **ВЫКЛЮЧЕН** перед установкой или обслуживанием.
- Прежде чем производить сервисные работы, кондиционер следует отключить от электросети.
- НЕ** выдергивайте шнур при включенном питании. При этом можно получить серьезные удары током и вызвать угрозу пожара.
- Держите комнатный и наружный блоки, силовой кабель и проводку передачи как минимум за 1м от телевизоров и радио для предотвращения искаженного изображения и помех. (В зависимости от типа и источника электрических волн, помехи могут быть услышаны даже при установке более чем на 1м).

ОСТОРОЖНО

Пожалуйста, обратите внимание на нижеследующие важные моменты при установке.

-  **Не устанавливайте блок в месте, где может произойти утечка взрывоопасного газа.**
Если имеется утечка газа и его сбор рядом с блоком, то он может стать причиной возгорания.
-  **Удостоверьтесь, что сливные трубы соединены надлежащим образом.**
Если сливные трубы не соединены надлежащим образом, это может стать причиной течи, которая намочит мебель.
-  **Не подвергайте перегрузке блок.**
Данный блок установлен на определенную нагрузку на заводе-изготовителе.
Перегрузка вызовет перегрузку тока или повредит компрессор.
-  **Удостоверьтесь, что панель блока закрыта после технического обслуживания или установки.**
Удостоверьтесь, что панель блока закрыта после технического обслуживания или установки.
- Острые края и поверхности змеевиков являются потенциальными местами нанесения травм.**
Остерегайтесь контакта с этими местами.
- Перед тем, как включить питание, переведите выключатель удаленного контроллера в положение "OFF" (ВЫКЛ.) во избежание случайного срабатывания устройства.** Если этого не сделать, при включении питания вентиляторы автоматически начнут вращаться и обслуживающий персонал или пользователь подвергнется опасности.
- Не включайте вблизи кондиционера какое-либо нагревательное оборудование.** От избытка тепла пластиковая панель может расправиться или деформироваться.
- Не устанавливайте блоки в дверном проеме или в непосредственной близости с ним.**
- Не допускайте работы каких-либо обогревательных приборов в непосредственной близости с блоком кондиционера воздуха и не используйте в помещении, в котором имеется минеральное масло, пары нефти или масла, так как это может привести к расплавлению или деформации пластиковых деталей в результате чрезмерного тепла или химической реакции.**
- При использовании блока на кухне не допускайте попадания муки во всасывающее устройство блока.**
- Данный блок не подходит для промышленного использования, характеризующегося наличием тумана смазочно-охлаждающей жидкости, железного порошка или больших колебаний электрического напряжения.**
- Не устанавливайте блоки в таких местах, как горячий источник или нефтеперегонный завод, характеризующиеся наличием газа сульфида.**
- Убедитесь, что цвет проводов наружного блока и маркировка терминалов совпадает с соответствующими элементами комнатного блока.**
- ВАЖНО: НЕ УСТАНАВЛИВАЙТЕ ИЛИ НЕ ИСПОЛЬЗУЙТЕ КОНДИЦИОНЕР В МОЕЧНОЙ.**
- Для входящего электропитания не следует использовать соединенные и скрученные многожильные провода.**
- Не допускайте контакта средств, применяемых для очистки змеевика, с пластмассовыми деталями. Они вступают в реакцию с пластмассой, а это может стать причиной деформации детали.**
- По любым вопросам касательно запасных частей обращайтесь к уполномоченному дилеру.**
- Оборудование не предназначено для использования в потенциально взрывоопасной среде.**

ПРЕДУПРЕЖДЕНИЕ

Требования по утилизации

Ваше изделие для кондиционирования воздуха отмечено этим символом. Это означает, что электрические и электронные изделия не должны быть смешаны с несортированными бытовыми отходами.

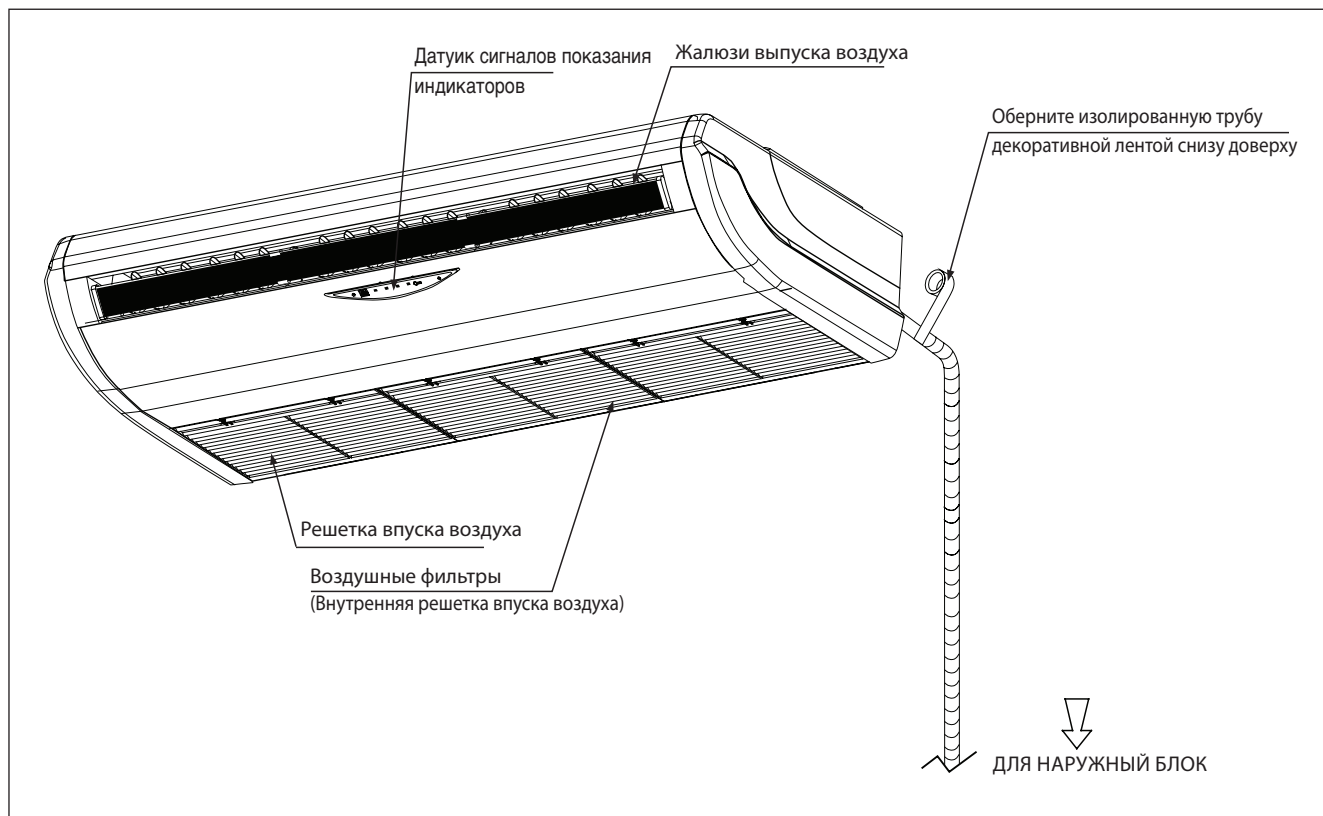
Не пытайтесь самостоятельно демонтировать систему: демонтаж системы кондиционирования воздуха, обработка хладагента, масла и других деталей должна быть произведена квалифицированным специалистом по установке согласно соответствующему местному и национальному законодательству.

Кондиционеры воздуха должны быть обработаны на специализированном перерабатывающем оборудовании для повторной утилизации, повторного использования отходов и восстановления. Убедившись в том, что данное изделие правильно утилизировано, вы можете предотвратить потенциальные негативные последствия для окружающей среды и здоровья людей. Для получения подробной информации обратитесь, пожалуйста, к вашему специалисту по установке или местным властям.

Батареи должны быть удалены из пульта дистанционного управления и утилизированы отдельно согласно соответствующему местному и национальному законодательству.



РИСУНОК УСТАНОВКИ (АНQ71/100/125CV1)



УСТАНОВКА КОМНАТНОГО БЛОКА (АНQ71/100/125CV1)

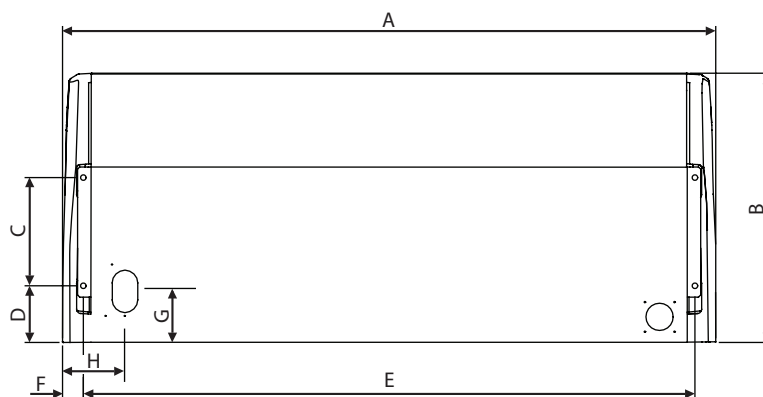
Предварительный осмотр места установки

- Колебание напряжения не должно быть более, чем $\pm 10\%$ от нормального напряжения. Линии электроснабжения не должны зависеть от сварочных трансформаторов, которые могут стать причиной высоких колебаний снабжения.
- Удостоверьтесь, что расположение удобно для прокладки проводов, труб и слива.

Стандартная установка

Удостоверьтесь, что несущие крепежи достаточно крепки для поддержания массы блока. Установите подвесные крепежи (установочные стенные скобы для напольного положения), проверьте соответствие с блоком на Рисунок А. Также, проверьте надежность скоб и основание подвешенного блока находится в горизонтальном положении в обеих плоскостях, учитывая угол наклона для слива как это рекомендуется на Рисунок В.

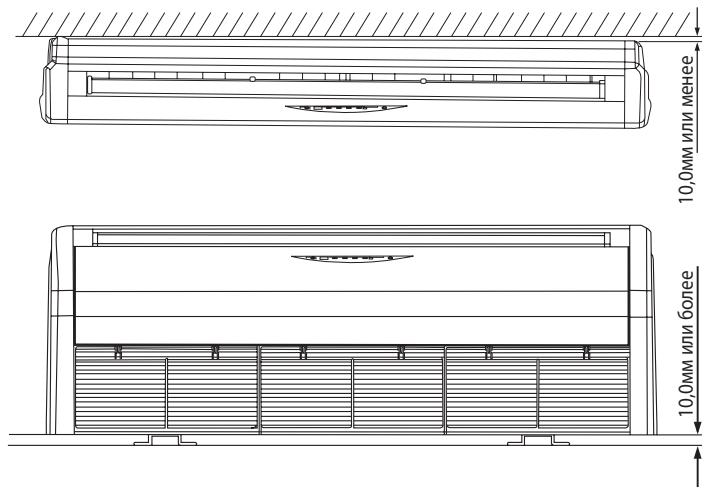
Рисунок А



Все размеры указаны в мм

Размер	A	B	C	D	E	F	G	H
АНQ71CV1	1320	635	255	134	1222	49	148	120
АНQ100CV1	1538	635	255	134	1440	49	148	120
АНQ125CV1	1786	635	255	134	1688	49	148	120

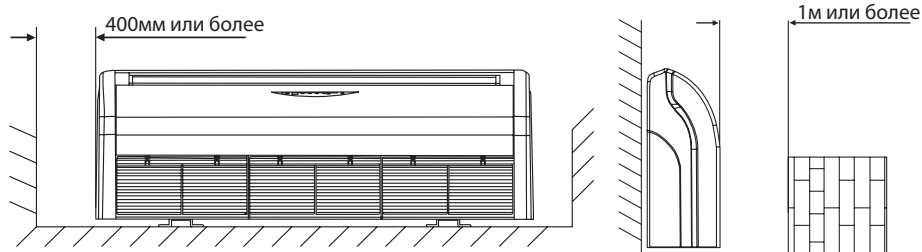
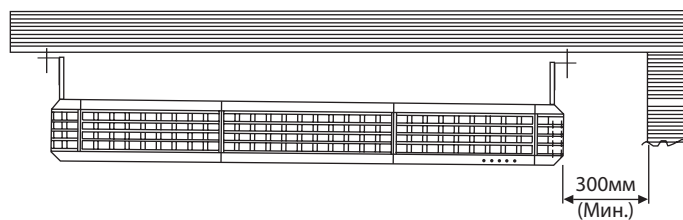
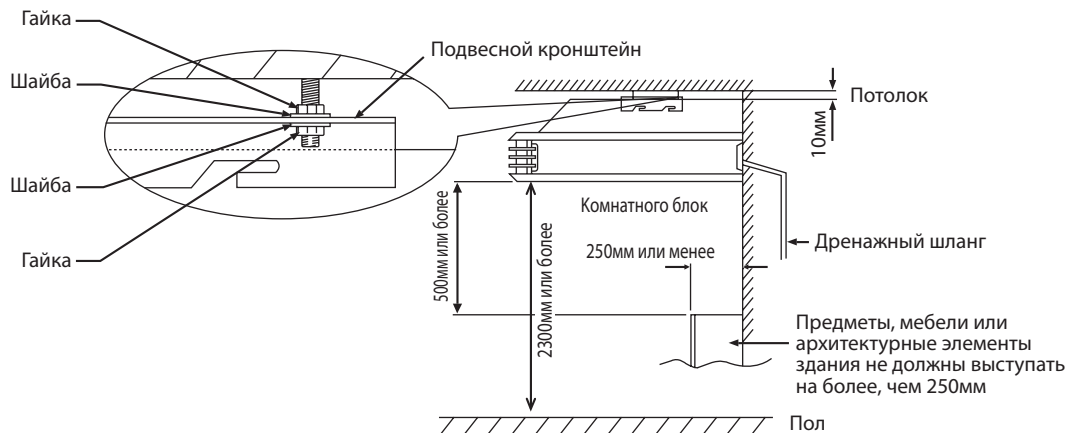
Рисунок В



Удостоверьтесь, что следующие операции предприняты:

- Блок должен быть установлен с наклоном, минимум, в 10мм в соответствии с рекомендацией Рисунка В.
- Наклон дренажного шланга должен быть минимум 1:100.
- Обеспечьте пространство для легкого обслуживания и оптимального потока воздуха как показано на Рисунке С.
- Внутренний модуль должен быть установлен так, чтобы не произошло столкновения выпуска холодного воздуха с возвращающимся потоком горячего воздуха.
- Не устанавливайте внутренний модуль там, где модуль подвергается воздействию прямых солнечных лучей. Расположение должно быть удобным для прокладки трубопроводов и дренажа. Модуль должен быть на достаточном расстоянии от двери.

Рисунок С



Напольный вертикальный вид

ПОДПОТОЛОЧНАЯ УСТАНОВКА (АНQ71/100/125CV1)

Установка подвесных болтов

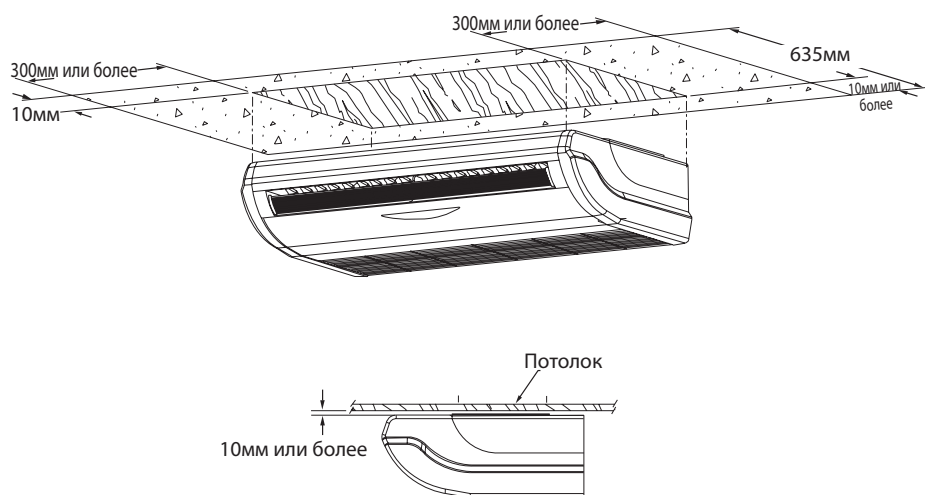
1. Установите подвесные болты таким образом, чтобы они могли выдержать внутренний блок.
2. Перед выполнением установки отрегулируйте расстояние до потолка.
3. См. размеры, указанные для установки блока.

Установка внутренних блоков

1. Вставьте подвесные болты в фитинг подвесного кронштейна.
2. Установите гайки и шайбу на обеих сторонах металлических фитингов.
3. Закрепите их гайками.

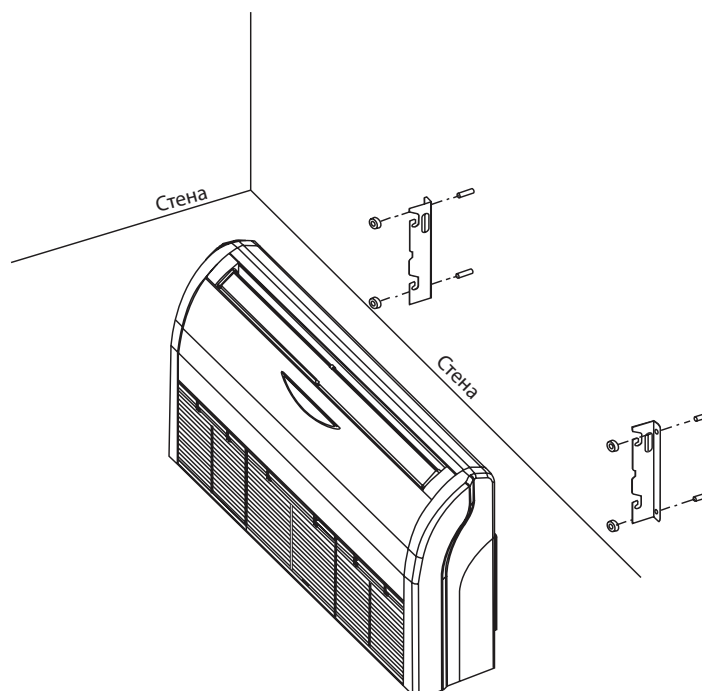
Установка потолочного типа

Рисунок D



Установка на полу

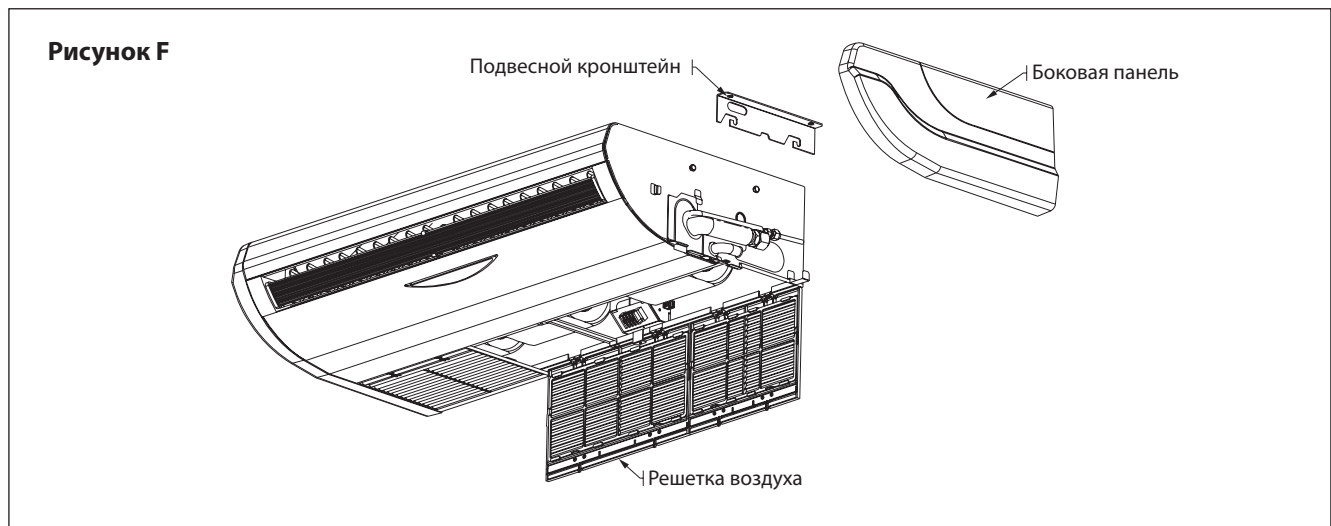
Рисунок E



Установка - Потолочный тип

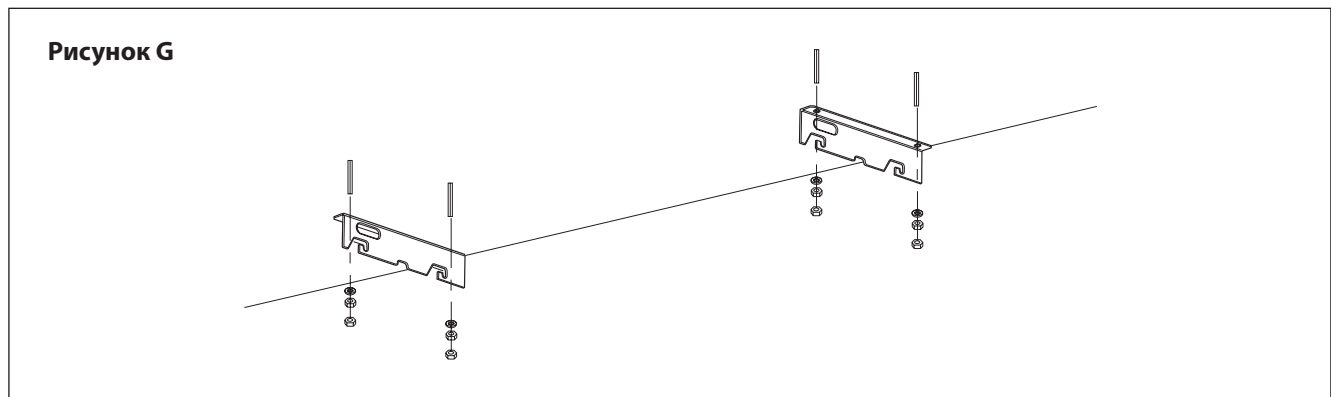
Шаг 1

Снимите с кондиционера решетку впуска воздуха, боковую панель и подвесной кронштейн. См. Рисунок F.



Шаг 2

Расположите подвеску в соответствии с Рисунок G и установите подвесной кронштейн.



Шаг 3

Подвесьте кондиционер и затяните болты, предварительно выполнив прокладку системы трубопроводов и дренажной трубы. См. Рисунок H.
Затем установите на место решетку впуска воздуха и боковую панель. См. Рисунок I.

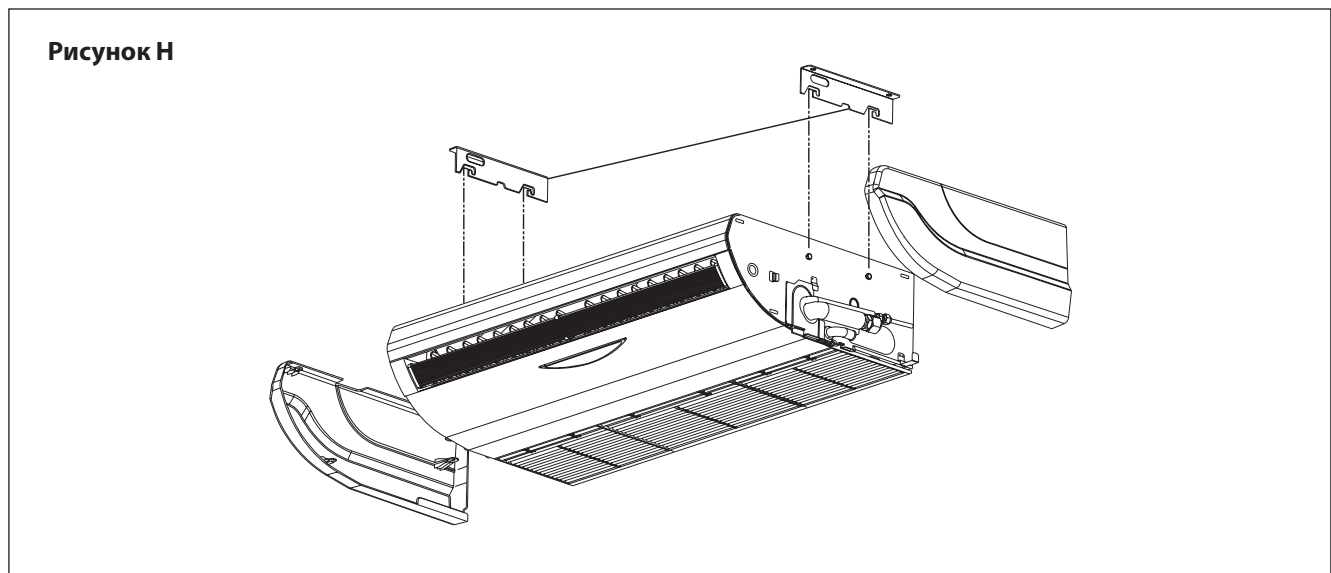
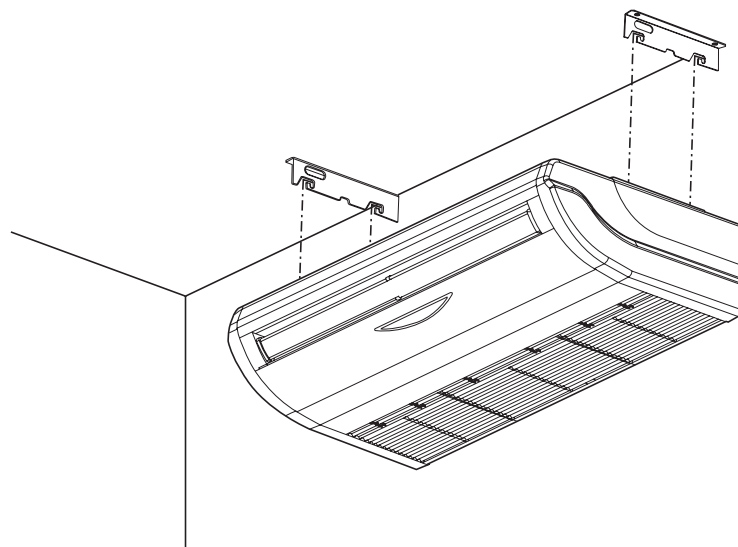
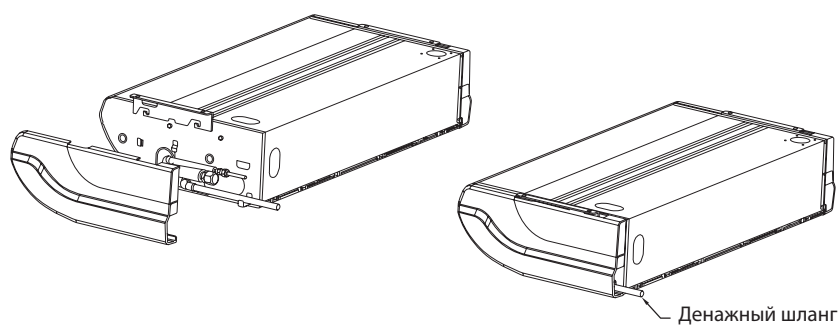


Рисунок I



Установка Трубопроводного и Дренажного Шланга

Рисунок J



Открытие решетки впуска воздуха

1. С помощью отвертки открутите винт, прикрепленный к блокировочному фиксатору решетки.
2. Снимите блокировочный фиксатор решетки и откройте фиксатор решетки.
3. Подробнее см. Рисунок К.

Рисунок К

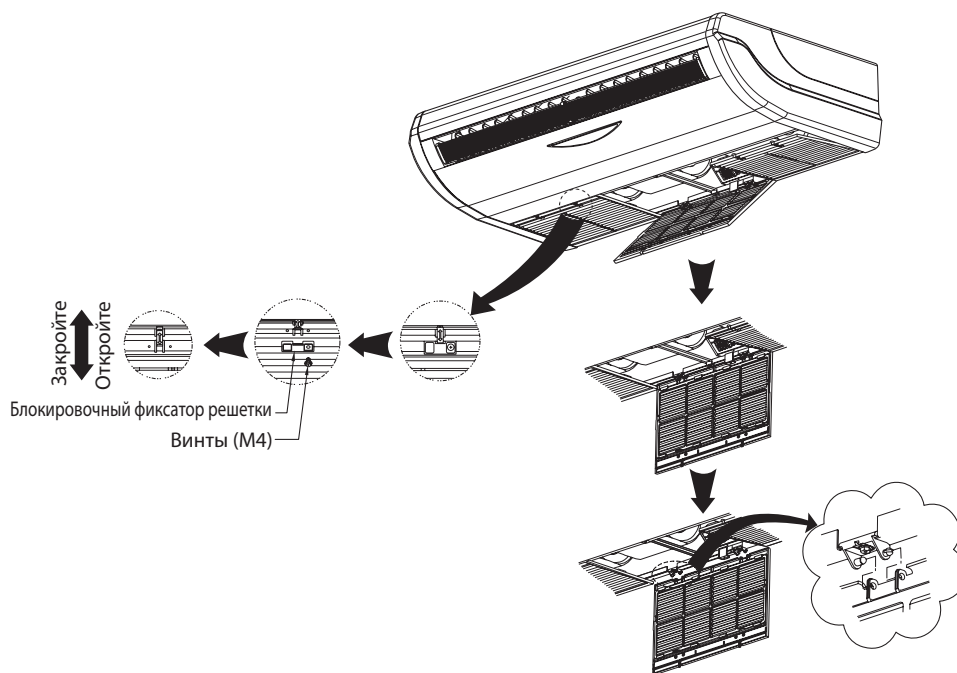
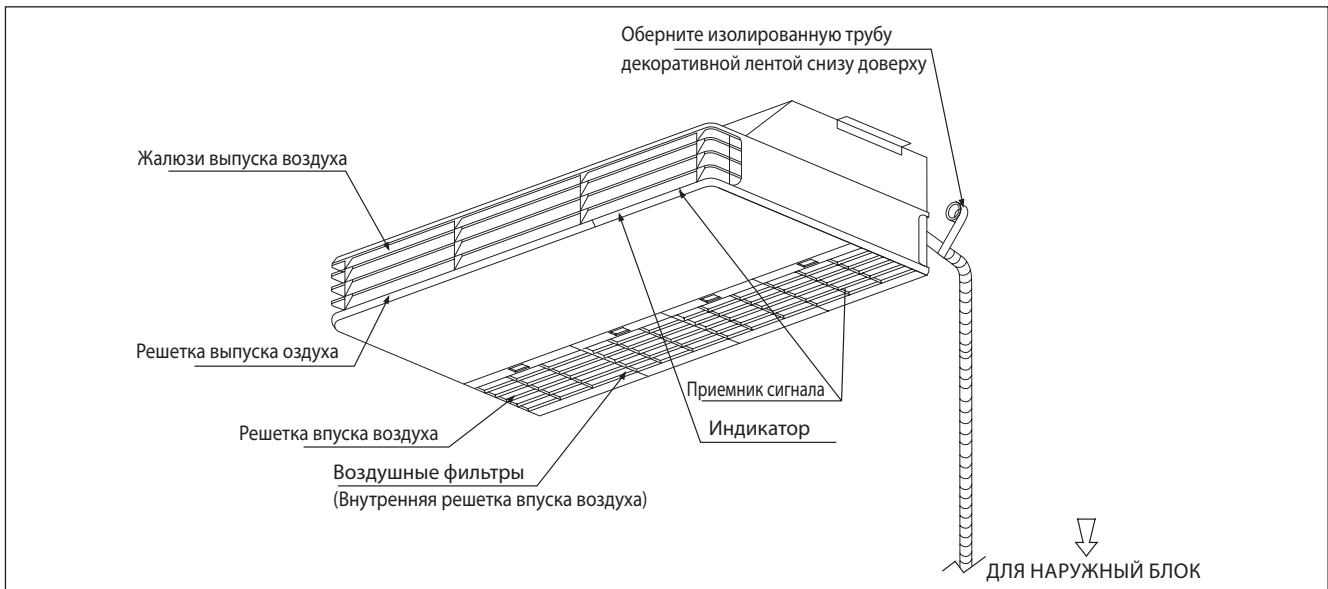


РИСУНОК УСТАНОВКИ (АНQ140CV1)



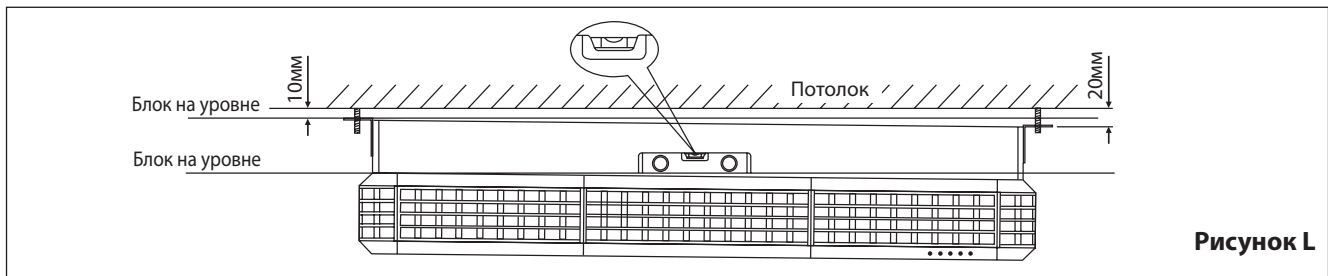
УСТАНОВКА КОМНАТНОГО БЛОКА (АНQ140CV1)

Предварительный осмотр места установки

- Колебание напряжения не должно быть более, чем $\pm 10\%$ от номинального напряжения. Провода электроснабжения должны быть независимыми от сварочных трансформаторов, которые вызывают значительные колебания напряжения.
- Убедитесь, что место установки подходит для прокладки электропроводки и слива.

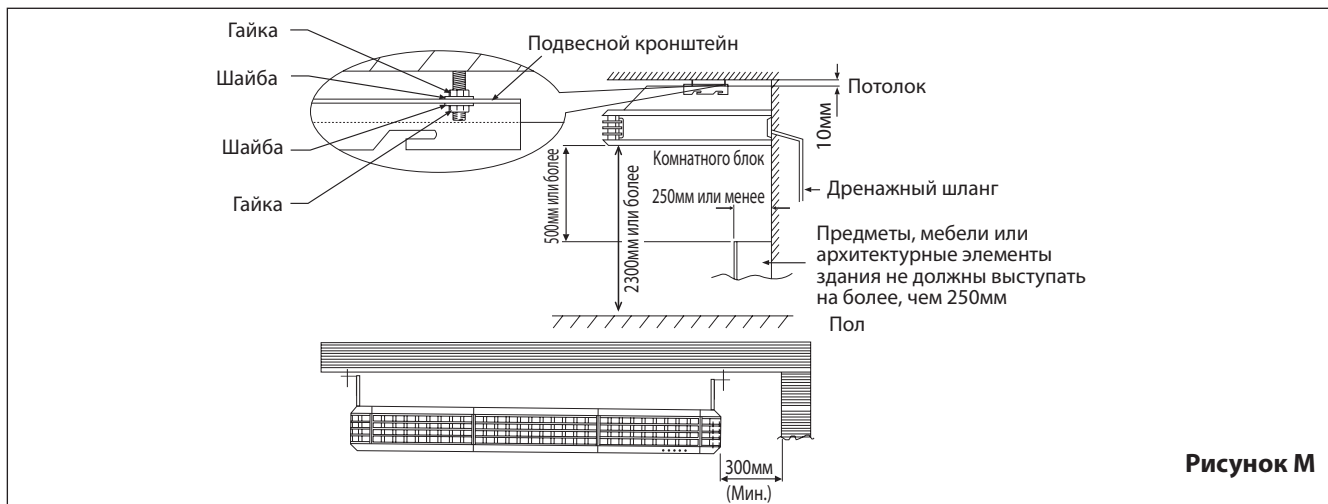
Стандартная установка

Удостоверьтесь, что несущие крепежи достаточно крепки для поддержания массы блока. Разместите подвесные стержни и проверьте их центровку с блоком. Кроме того, проверьте крепления подвесок.



Удостоверьтесь, что следующие операции предприняты:

- Блок должен быть установлен с наклоном/уклоном, минимум, в 10мм в соответствии с рекомендацией Рисунка L.
- Наклон дренажного шланга должен быть минимум 1:100.
- Обеспечьте пространство для легкого обслуживания и оптимального потока воздуха как показано на Рисунке М.
- Внутренний модуль должен быть установлен так, чтобы не произошло столкновения выпуска холодного воздуха с возвращающимся потоком горячего воздуха.
- Не устанавливайте внутренний модуль там, где модуль подвергается воздействию прямых солнечных лучей. Расположение должно быть удобным для прокладки трубопроводов и дренажа. Модуль должен быть на достаточном расстоянии от двери.



ПОДПОТОЛОЧНАЯ УСТАНОВКА (АНQ140CV1)

Установка подвесных болтов

1. Установите подвесные болты таким образом, чтобы они могли выдержать внутренний блок.
2. Перед выполнением установки отрегулируйте расстояние до потолка.
3. См. размеры, указанные для установки блока на Рисунке N.

Установка внутренних блоков

1. Вставьте подвесные болты в фитинг подвесного кронштейна.
2. Установите гайки и шайбу на обеих сторонах металлических фитингов.
3. Закрепите их гайками.

Установка потолочного типа

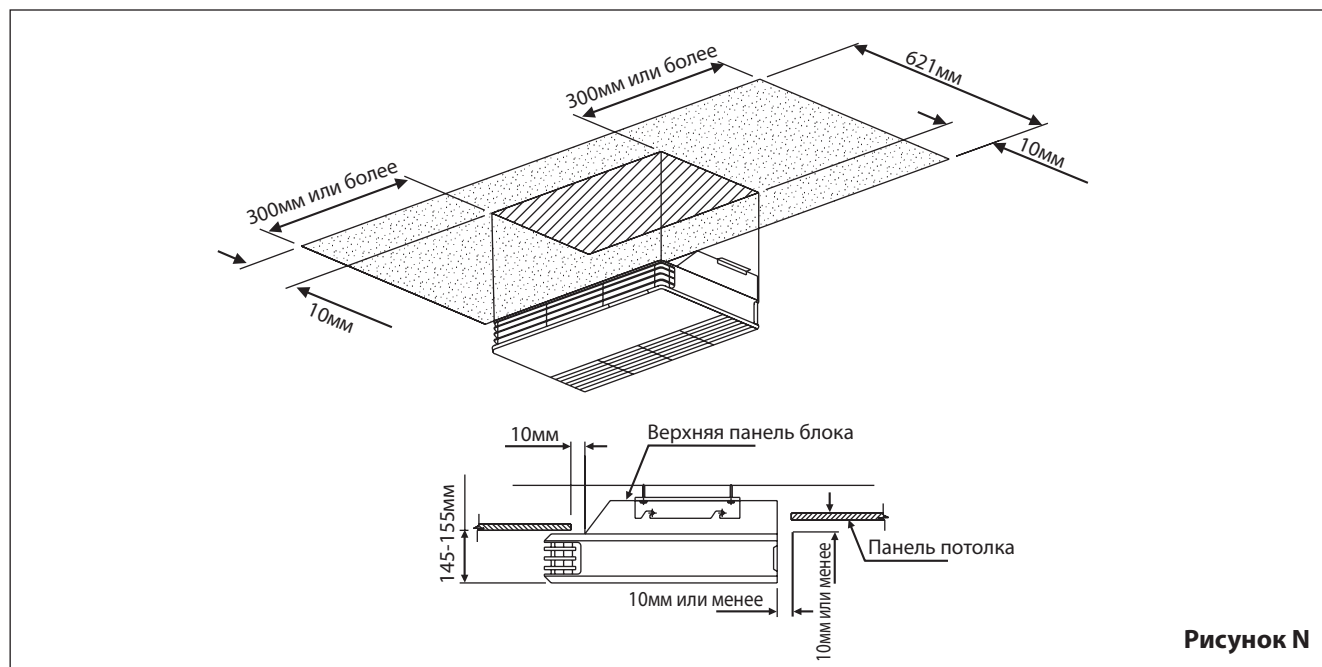
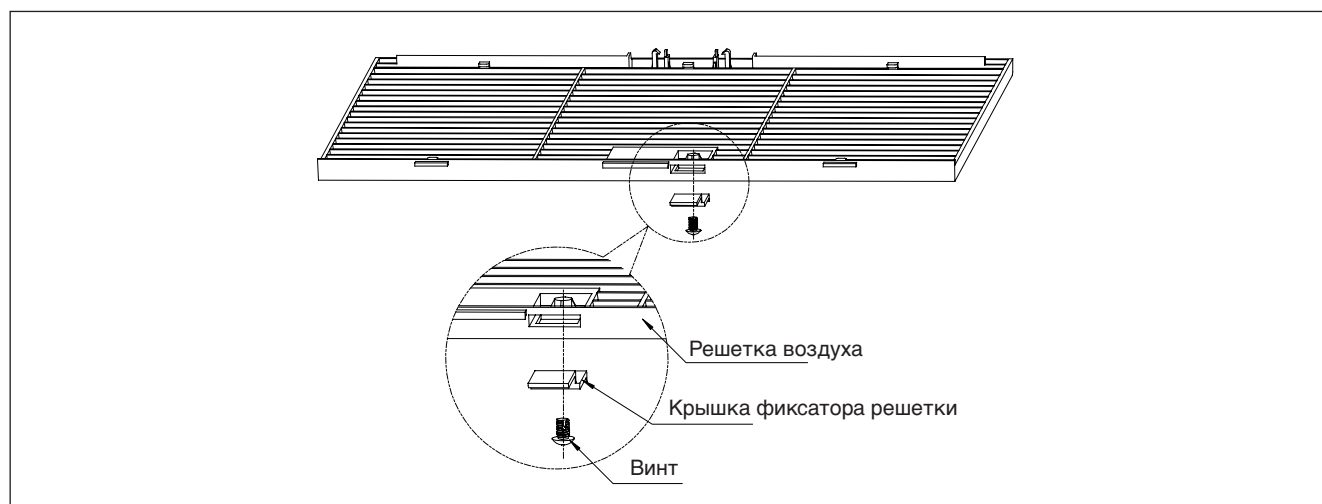


Рисунок N

Крышка фиксатора решетки (Защита подвижной детали для прямого прикосновения пользователем)

Решетка фиксатора крышки должна быть установлена в соответствии с рисунком ниже.

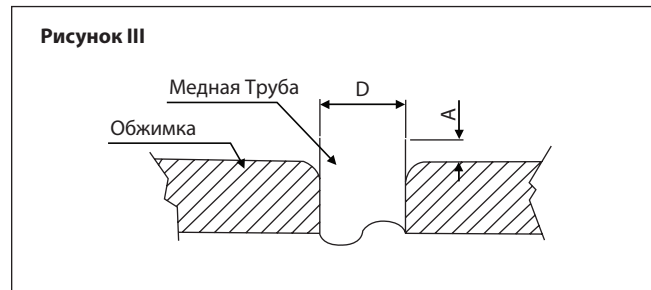
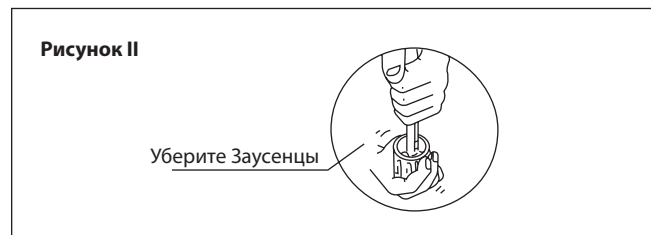
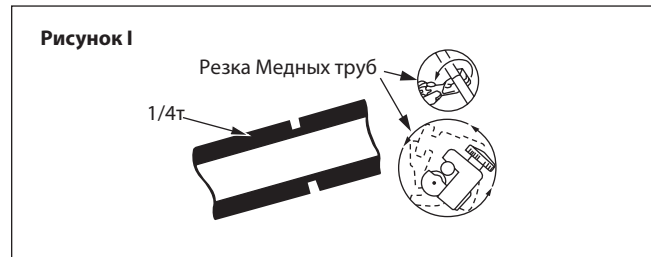


Если необходимо проведение сервисного обслуживания, следует выполнить следующее:

1. Перед проведением сервисного обслуживания необходимо убедиться, что блок выключен.
2. Чтобы разблокировать винт на крышке фиксатора решетки, используйте отвертку.
3. Для выполнения обслуживания снимите крышку фиксатора решетки и откройте решетку впуска воздуха.
4. После выполнения сервисного обслуживания установите решетку впуска воздуха, закрепите винтом крышку фиксатора решетки и убедитесь, что блок правильно установлен.

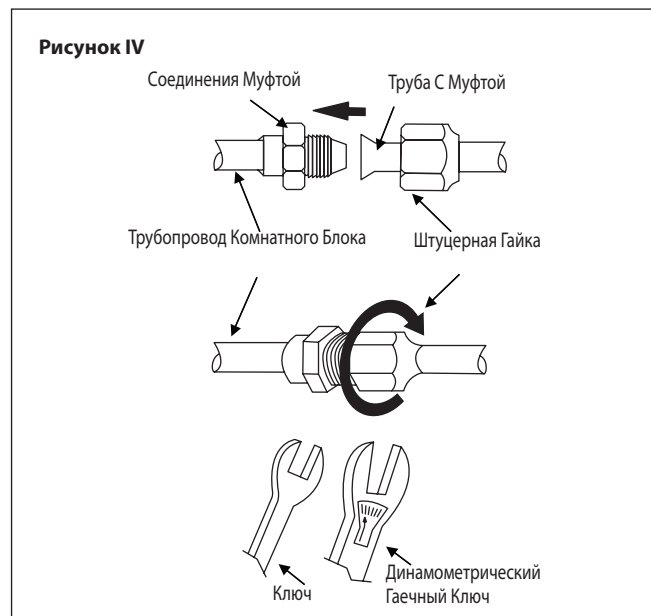
Проведение Трубопроводов И Соединение Муфтой (Развальцовочной Гайкой)

- Не используйте грязную или поврежденную трубную обвязку. Если какой-либо трубопровод, испаритель или конденсатор оказались под воздействием внешних факторов или были разгерметизированы в течение 15 или более секунд, следует произвести вакуумирование системы. Поэтому запрещается снимать пластиковые, резиновые заглушки и латунные гайки клапанов, фитингов, труб и змеевиков до тех пор, пока линия всасывания или жидкостная линия не будут подсоединены к клапанам и фитингам.
- Если требуется пайка, то удостоверьтесь, что газ азот проходит через змеевик и соединения, где проводится пайка. Это позволит избежать формирования копоти на внутренней стороне медных труб.
- Режьте трубы постепенно, медленно подавая полотно ножа. Чрезмерное усилие и глубокий разрез вызовут деформацию трубы и образование на ней дополнительных заусениц. Смотрите Рисунок I.
- Уберите заусеницы с краев среза трубы съемником как показано на Рисунке II. Это позволит избежать неровности на поверхности, которая приведет к утечке газа. Держите трубу в верхнем положении, а приспособление для снятия заусениц в нижнем положении для предотвращения попадания металлической стружки в трубу.
- Вставьте штуцерные гайки, установленные на соединяющие концы как внутреннего модуля, так и внешнего модуля, на медные трубы.
- Точная длина трубы, выступающей из лицевой поверхности матрицы, определена развальцовочным инструментом. См. Рисунок III.
- Надежно установите трубу в развальцовочной матрице. Отцентрируйте отверстия в развальцовочной матрице и развальцовочном пробойнике, а затем полностью затяните пробойник.



Соединение Трубопроводов К блокам

- Отцентрируйте положение трубы и до конца затяните штуцерную гайку усилием пальцев. См. Рисунок IV.
- Затем, затяните штуцер динамометрическим гаечным ключом до щелчка ключа.
- При затягивании муфты динамометрическим гаечным ключом, удостоверьтесь, что затягивание происходит в указанном стрелкой направлении.
- Соединение трубы хладагента изолировано закрытой полиуретановой ячейкой.



Размер Трубы (мм/дюйм)	Крутящий момент (Нм/ft-lb)
6,35 (1/4")	18 (13,3")
9,52 (3/8")	42 (31,0")
12,70 (1/2")	55 (40,6")
15,88 (5/8")	65 (48,0")
19,05 (3/4")	78 (57,6")

Ø Трубы, D		A (мм)	
Дюйм	мм	Империл (Барашковая гайка)	Риджид (Муфтовый тип)
1/4"	6,35	1,3	0,7
3/8"	9,52	1,6	1,0
1/2"	12,70	1,9	1,3
5/8"	15,88	2,2	1,7
3/4"	19,05	2,5	2,0

- Все провода должны быть хорошо соединены.
- Убедитесь, что провода не соприкасаются с трубопроводом холодильного агрегата, компрессором или любыми подвижными частями.
- Проводное соединение между внутренним и внешним модулем должно быть зафиксировано при помощи прилагаемых веревочных фиксаторов.
- Шнур сети питания должен отвечать параметрам шнура H07RN-F, который представляет собой минимальные предъявляемые требования.
- Убедитесь, что соединительные зажимы и провода не подвергаются излишней нагрузке.
- Убедитесь, что все крышки плотно закрыты.
- Используйте обжимную кольцевую клемму для подсоединения проводов к терминалу электропитания. Подсоедините провода в соответствии с указаниями на терминале. (Смотри монтажную схему на блоке).



- Для окончательного затягивания винтов используйте надлежащие отвертки. Применение ненадлежащих отверток может повредить головку винта.
- Чрезмерная затяжка может повредить контактный винт.
- Не подключайте провода различных устройств к одному терминалу.
- Правильно подключайте провода. Проводка не должна преграждать доступ к другим частям устройства и к крышке распределительной коробки.



СПЕЦИАЛЬНЫЕ МЕРЫ ПРЕДОСТОРОЖНОСТИ ПРИ ЭКСПЛУАТАЦИИ КОНДИЦИОНЕРА С ХЛАДАГЕНТОМ R410A

R410A - это новый гидрофторуглеродный хладагент, не повреждающий озоновый слой. Рабочее давление этого нового хладагента в 1,6 раз больше, чем рабочее давление обычного хладагента (R22), поэтому очень важно соблюдать правильный порядок установки и обслуживания кондиционера.

- В кондиционерах, рассчитанных на использование R410A, запрещается применять какие-либо другие хладагенты.
- Масло POE или PVE, используемое в качестве смазочного материала для компрессора с хладагентом R410A, отличается от минерального масла, используемого для компрессора с хладагентом R22. Во время выполнения установки или сервисного обслуживания необходимо принять дополнительные меры предосторожности, чтобы не допустить воздействия влажного воздуха на систему R410A. Оставшееся в трубопроводе и деталях масло POE или PVE и компоненты могут поглощать влагу из воздуха.
- Во избежание неправильной заправки диаметр сервисного патрубка на раструбном вентиле отличается от диаметра соответствующего патрубка для R22.

- Используйте исключительно инструменты и материалы, предназначенные для хладагента R410A. Инструменты специально для R410A: распределительная гребенка, заправочный шланг, манометр, детектор утечки газа, развальцовочные инструменты, ключ с регулируемым крутящим моментом, вакуумный насос и баллон для хладагента.
- Так как в кондиционере на R410A используется более высокое давление, чем в установках на R22, важно правильно выбрать медные трубы. Запрещается использовать медные трубы толщиной менее 0,8 мм, даже если они есть в продаже.
- В случае утечки газообразного хладагента во время выполнения работ по установке или обслуживанию необходимо хорошо проветрить помещение. При соприкосновении газообразного хладагента с огнем возможно образование ядовитого газа.
- При установке или демонтаже кондиционера следите за тем, чтобы в контуре хладагента не осталось воздуха или влаги.

ОТКАЧКА ВОЗДУХА И ЗАПРАВКА

Откачка воздуха необходима для ликвидации влаги и воздуха из системы.

Вакуумирование трубопровода и внутреннего блока

За исключением внешнего модуля, который предварительно заправлен хладагентом, внутренний модуль и соединительные трубы хладагента должны быть продуты, поскольку воздух, содержащий остающуюся в системе хладагента влагу, может вызвать сбой в работе компрессора.

- Снимите колпачки с клапана и входа технического обслуживания.
- Соедините центр нагнетательной коробки к вакуумному насосу.
- Соедините нагнетательную коробку к 3-ходовому клапану входа технического обслуживания.

- Включите вакуумный насос. Проводите откачку в течение примерно 30 минут. Время откачки зависит от мощности вакуумного насоса. Удостоверьтесь, что стрелка манометра нагнетательной коробки установилась на -760 мм ртутного столба.

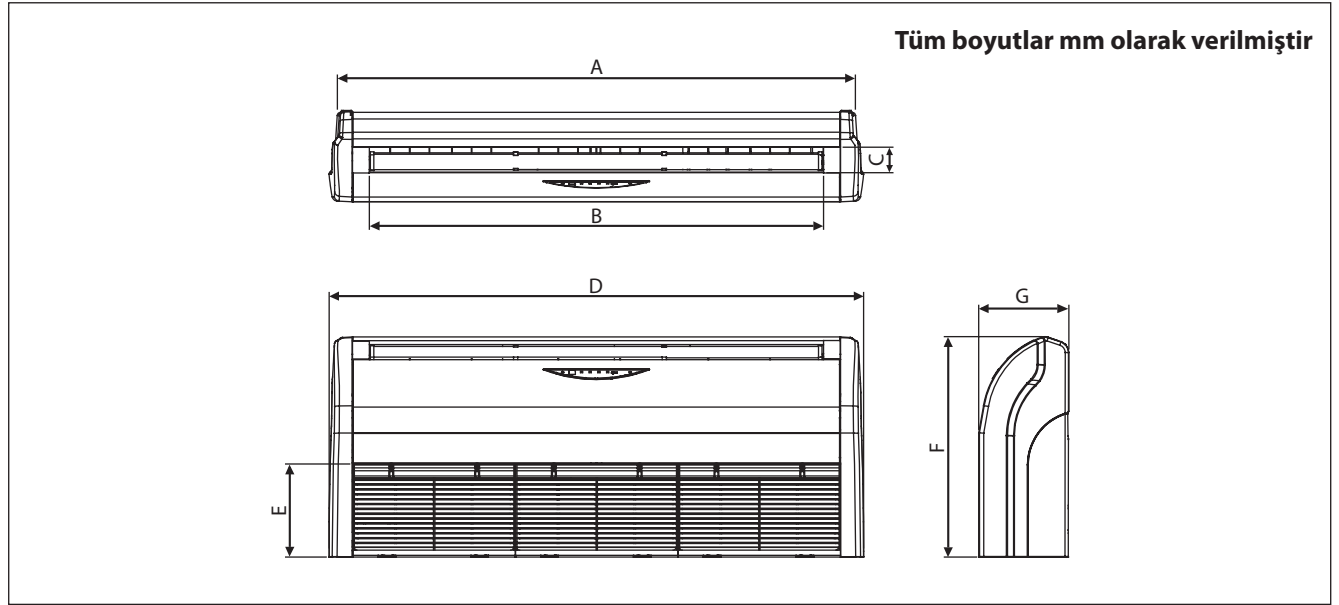
Осторожно

- Если стрелка манометра коробки не достигает -760 мм ртутного столба, то проверьте отсутствие утечки газа (используя течеискатель хладагента) на штуцерном соединении внутреннего и внешнего модулей и ликвидируйте утечку, прежде чем приступать к следующей операции.
- Закройте клапан нагнетательной коробки и выключите вакуумный насос.

ПАМ'ЯТКА

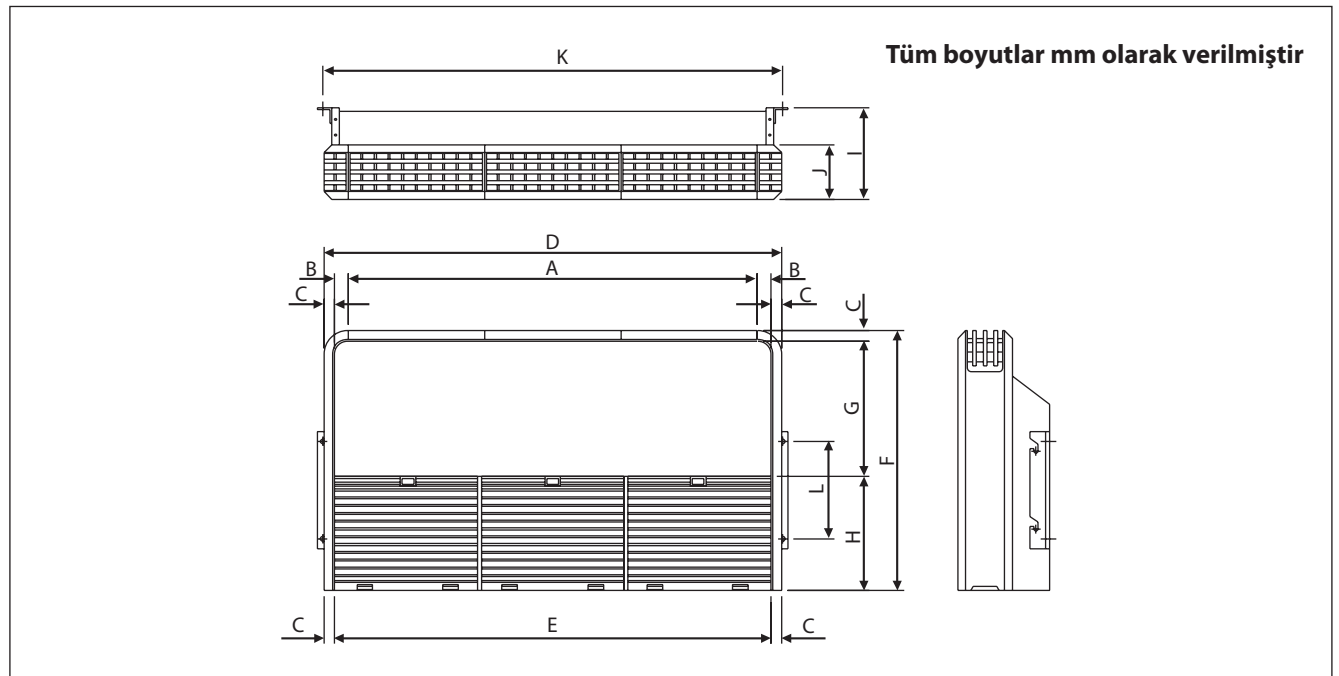
DIŐ HATLAR VE EBATLAR

İç Mekan Ünitesi AHQ71/100/125CV1



Boyutlar	A	B	C	D	E	F	G
AHQ71CV1	1272	1088	74	1320	268	635	259
AHQ100CV1	1490	1308	74	1538	268	635	259
AHQ125CV1	1738	1556	74	1786	268	635	259

İç Mekan Ünitesi AHQ140CV1



Boyutlar	A	B	C	D	E	F	G	H	I	J	K	L
AHQ140CV1	1750	40	36	1903	1830	680	352	292	285	140	1880	250

KURULUM KILAVUZU

Bu el kitabında, klima ünitesi için güvenli ve iyi çalışma standardı sağlamak için gerekli kurulum prosedürleri verilmektedir.

Yerel gereksinimlere uyum sağlamak için özel ayarlama gerekli olabilir.

Klimanızı kullanmadan önce, lütfen bu talimat el kitabını dikkatli bir şekilde okuyun ve ileride başvurmak üzere saklayın.

Bu cihaz, uzman veya eğitimli kişiler tarafından mağazalarda, aydınlatma endüstrisinde ve çiftliklerde veya meslekten olmayan kişiler tarafından ticari amaçlı olarak kullanılacak şekilde tasarlanmıştır.

Bu cihaz, güvenliklerinden sorumlu bir kimse tarafından cihazın kullanımıyla ilgili nezaret veya talimat sağlanmadıkça çocuklar dahil düşük fiziksel, duyuşsal veya zihni yeteneklere sahip veya deneyimden ve bilgiden yoksun kişilerin kullanımına yönelik defildir.

Cihazla oynamadıklarının garantiye alınması için çocuklar gözetim altında bulundurulmalıdır.

GÜVENLİK ÖNLEMLERİ

⚠ UYARI

- Kurulum ve bakım işlemleri, yerel kuralları ve yönetmelikleri bilen, bu tür cihazlar konusunda tecrübesi olan kalifiye kişiler tarafından yapılmalıdır.
- Sahadaki tüm elektrik tesisatı, ulusal kablolama yönetmeliklerine uygun bir şekilde yapılmalıdır.
- Elektrik tesisat şemasına göre kabloları çekmeye başlamadan önce ünitenin voltaj değerinin, işletim değerleri plakasındaki değerle aynı olduğuna emin olunuz.
- Yalıtım yetersizliğinin neden olabileceği olası tehlikeleri önlemek için ünite TOPRAKLANMALIDIR.
- Hiçbir elektrik kablosu, soğutucu borularına veya fan motorlarının hareketli kısımlarına temas etmemelidir.
- Üniteyi kurmadan veya üniteye bakım yapmadan önce ünitenin KAPALI duruma getirildiğinden emin olunuz.
- Klimaya bakım yapmadan önce ünitenin kablosunu ana elektrik şebekesinden çıkarınız.
- Güç açık durumdayken güç kablosunu ÇEKMEYİN. Bu, yangın tehlikesiyle sonuçlanabilen ciddi elektrik çarpmalarına neden olabilir.
- Parazitli resimleri ve paraziti önlemek için, iç ve dış üniteleri, güç kablosu ve nakil tertibatını TV'lerden ve radyolardan en az 1m uzakta tutun. (Elektrik dalgalarının türü ve kaynağına bağlı olarak, parazit 1m'den daha fazla uzaklıktan bile duyulabilir).

⚠ DİKKAT

Lütfen kurulum yaparken aşağıdaki önemli noktalara dikkat edin.

- Üniteyi yanıcı gaz sızıntısının olabileceği yerlere kurmayın.
Ünite etrafında gaz sızır ve birikirse, yangına neden olabilir.
- Tahliye borularının doğru bağlandığından emin olun.
Tahliye boruları düzgün bağlanmazsa, su sızıntısına neden olabilir ve ev eşyasını ıslatır.
- Üniteyi aşırı yüklemeyin.
Bu ünite fabrikada önceden yüklenmiştir.
Aşırı yüklemeye aşırı akıma veya kompresör hasarına neden olur.
- Bakım veya kurulumdan sonra ünite panelinin kapatıldığından emin olun.
Emniyete alınmamış paneller ünitenin gürültülü çalışmasına neden olur.
- Keskin kenarlar ve bobin yüzeyleri yaralanma tehlikesinin olabileceği yerlerdir.
Bu yerlere temas etmekten kaçınınız.
- Güç kaynağını kapatmadan önce, ünitenin sıkıntı çıkarmasını önlemek için uzaktan kumandanın ON/OFF anahtarını "OFF" konumuna getirin. Bu yapılmazsa, elektrik yeniden geldiğinde ünitenin fanları otomatik olarak çalışmaya başlar ve bu durum bakım personeli veya kullanıcıya karşı tehlike oluşturur.
- Isıtma aygıtlarını klima ünitesine çok yakın çalıştırmayın.
Bunu yapmak, aşırı ısı sonucunda plastik panelin erimesine veya deforme olmasına neden olabilir.
- Üniteleri kapı yoluna veya yakınına kurmayın.
- Klima ünitesine çok yakında ısıtma aygıtları çalıştırmayın veya mineral yağ, yağ buharı ya da istimi bulunan odalarda kullanmayın, aşırı ısı veya kimyasal reaksiyon plastik kartın erimesine veya deforme olmasına neden olabilir.
- Ünite, mutfakta kullanıldığında onun ünite tarafından emilmesini önleyin.
- Bu ünite, soğutma yağı buharını veya demir tozunun ya da voltaj dalgalanmalarının çok olduğu yerlerde imalathane için uygun değildir.
- Üniteyi, kaplıca veya yağ rafineri tesisi gibi sülfür gazının bulunduğu alanlara kurmayın.
- Dış mekan ünitesinin kablolarının renkleri ile iç mekan ünitesinin terminal renklerinin aynı olduğundan emin olunuz.
- ÖNEMLİ: KLİMA ÜNİTESİNİ ÇAMAŞIR YIKANAN BİR ODAYA KURMAYIN.
- Gelen güç kaynağında ekli veya kıvrılmış kablolar kullanmayın.
- Herhangi bir boru arıtma temizleyicisinin plastik kısımla doğrudan temas etmesini önleyin. Bu durum plastik kısmın kimyasal tepkime sonucunda şeklinin bozulmasına neden olabilir.
- Yedek parçalarla ilgili sorularınız için lütfen yetkili bayi ile görüşün.
- Ekipman potansiyel olarak patlayıcı olan bir ortamda kullanılmak üzere tasarlanmamıştır.

UYARI

Atım Şartları

Klima cihazınızın üzerinde bu simge yer almaktadır. Bu, elektrikli ve elektronik ürünlerin, ayrıştırılmamış ev atıkları ile karıştırılmayacağını ifade etmektedir.

Sistemi kendi başınıza sökmeye kalkışmayınız: Klimanın sökülmesi ile soğutucu, yağ ve diğer parçalarla ilgili işlemler; yerel ve ulusal düzeyde ilgili yasalara uygun bir şekilde, kalifiye bir montaj elemanı tarafından gerçekleştirilmelidir.

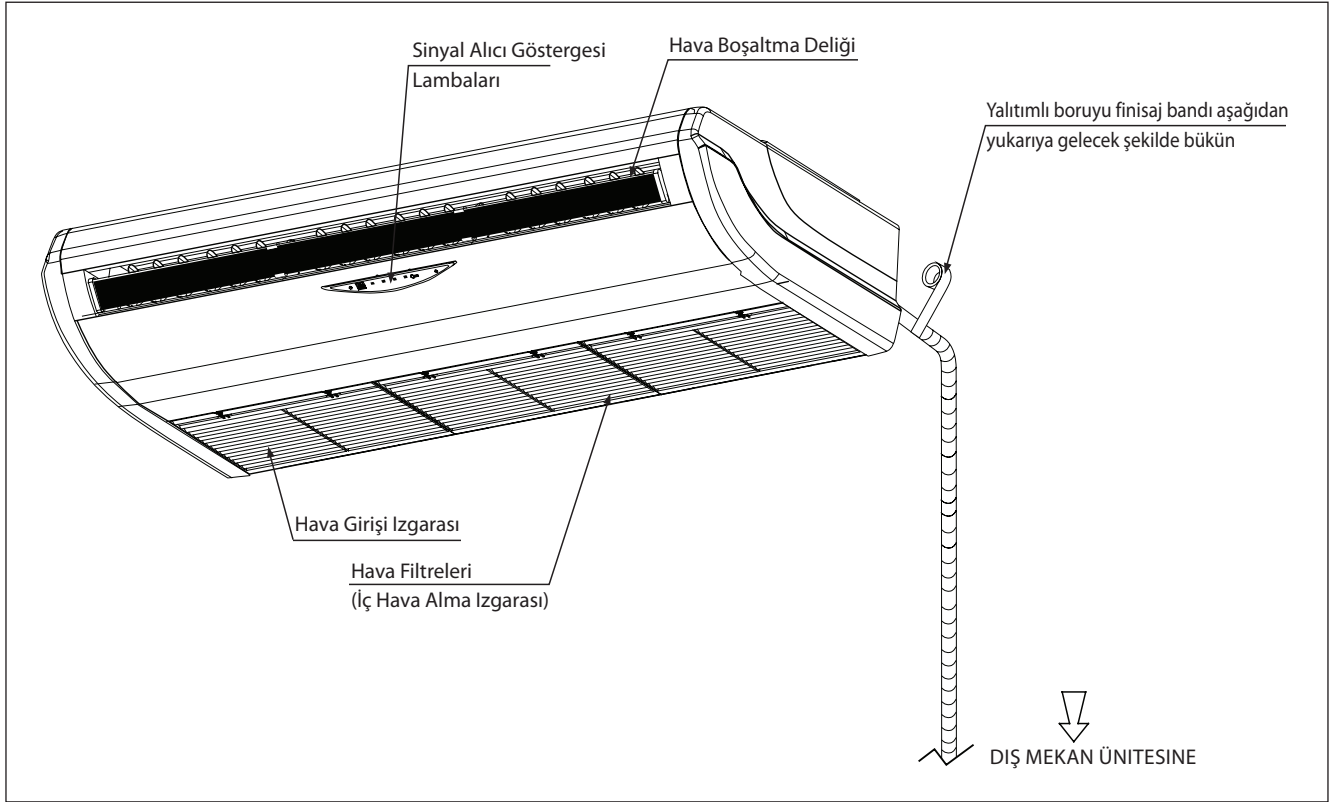
Klimaların yeniden kullanılması, geri dönüştürülmesi ve geri kazanım işlemleri, bu konuda uzmanlığa sahip özel bir tesiste yapılmalıdır. Bu ürünün gerektiği gibi elden çıkarılmasını sağlayarak, çevre ve insan sağlığı açısından olası olumsuz sonuçları önlemeye yardımcı olacaksınız.

Bu konuda daha fazla bilgi edinmek için lütfen kurulum yetkilisine veya yerel yetkililere danışın.

Bataryalar, uzaktan kumandanın çıkarıldıktan sonra, yerel ve ulusal düzeyde ilgili yasalara uygun olarak, aynı bir şekilde elden çıkarılmalıdır.



KURULUM ŞEMASI (AHQ71/100/125CV1)



İÇ ÜNİTENİN MONTAJI (AHQ71/100/125CV1)

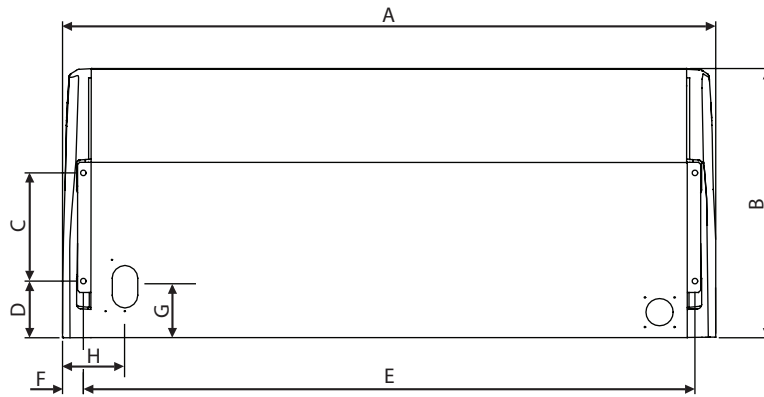
Montaj Yeri Ön İncelemesi

- Voltaj yükselmesi ve alçalması anma geriliminin $\pm 10\%$ 'unu aşmamalıdır. Elektrik hatları yüksek elektrik yükselip alçalmasına neden olabilen kaynak transformatörlerinden bağımsız olmalıdır.
- Elektrik tesisatı, boru tesisatı ve tahliye tesisatı için yerin uygun olmasına dikkat edin.

Standart Montaj

Asma desteklerin ünitenin ağırlığı kaldıracak derecede güçlü olduğundan emin olun. Asma çubuklarını yerleştirin (zeminde durması için duvar montajı desteği) ve Şekil A'da gösterildiği gibi üniteyle hizasını kontrol edin. Ayrıca, Şekil B'de önerilen tahliye akışı eğimini dikkate alarak kancaların sağlam ve fan bobini ünitesinin tabanının her iki yatay yönde hizalanıp hizalanmadığını kontrol edin.

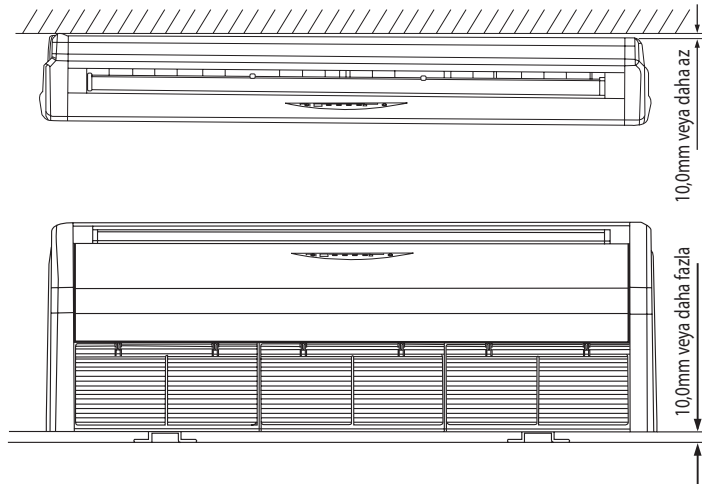
Şekil A



Tüm boyutlar mm olarak verilmiştir

Boyutlar	A	B	C	D	E	F	G	H
Modeller								
AHQ71CV1	1320	635	255	134	1222	49	148	120
AHQ100CV1	1538	635	255	134	1440	49	148	120
AHQ125CV1	1786	635	255	134	1688	49	148	120

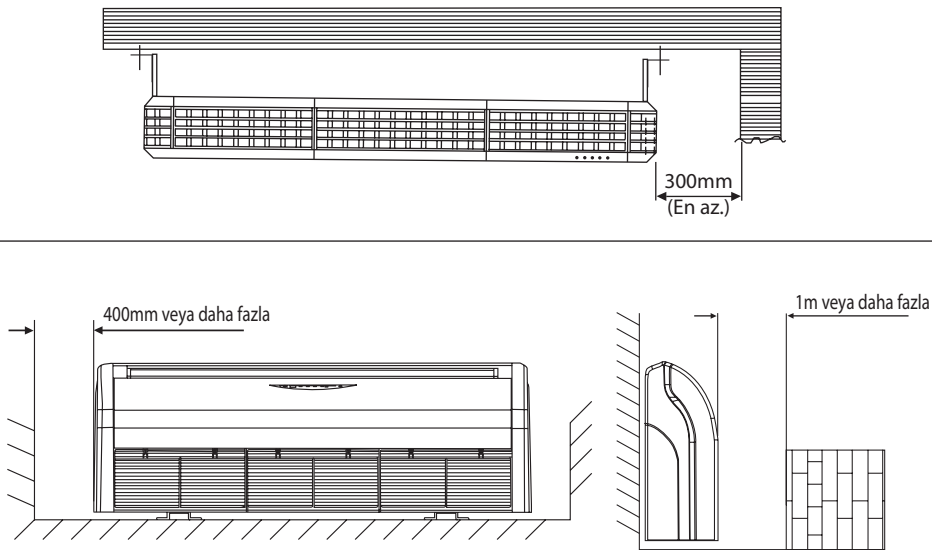
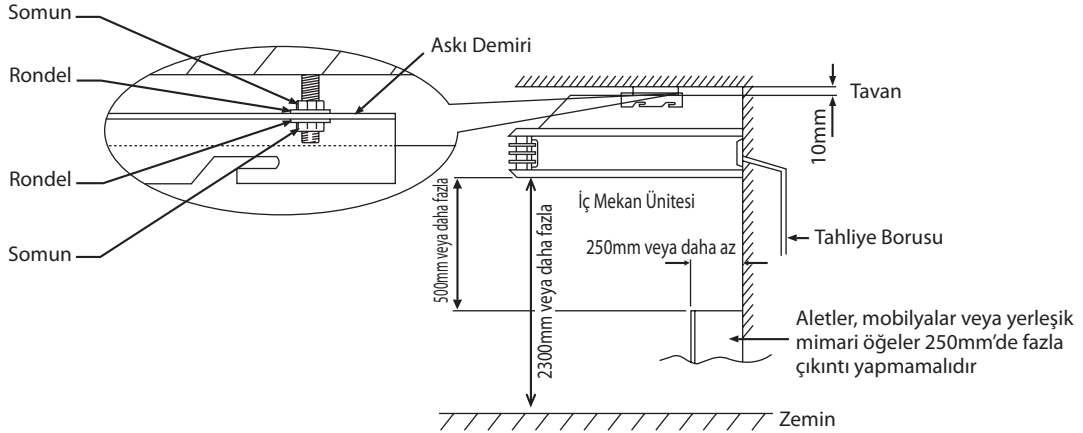
Şekil B



Lütfen aşağıdaki adımları uyguladığınızdan emin olun:

- Ünite montajı Şekil B'de önerildiği gibi en az 10mm eğilmelidir olmalıdır.
- Drenaj borusunun eğimi en az 1:100 olmalıdır.
- Kolay bakım ve en iyi hava akışı için Şekil C'de gösterildiği gibi açıklık sağlayın.
- İç ünite sıcak soğuk tahliye havası sıcak geri dönüş havasıyla kısa devre yapmayacak şekilde kurulmalıdır.
- İç üniteye üniteye doğrudan güneş ışığı gelecek yere kurmayın. Konum boru ve tahliye kurulumu için uygun olmalıdır. Ünite kapıdan uzakta olmalıdır.

Şekil C



Zemin Tipi

TAVAN ALTI KURULUMU (AHQ71/100/125CV1)

Askı Cıvatalarını Takın

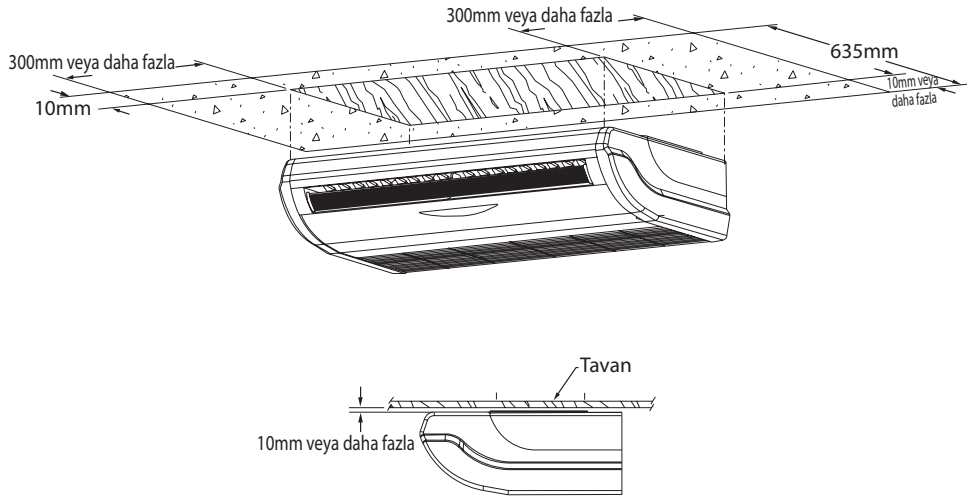
1. Askı cıvatalarını iç üniteyi destekleyebilecek şekilde takın.
2. Kurulumdan önce tavan mesafesini ayarlayın.
3. Üniteyi kurmak için verilen boyuta bakın.

Dış Ünitelerin Takılması

1. Askı cıvatalarını askı desteğinin bağlantılarına takın.
2. Metal bağlantıların her iki tarafına da somun ve pul koyun.
3. Somunlarla sabitleyin.

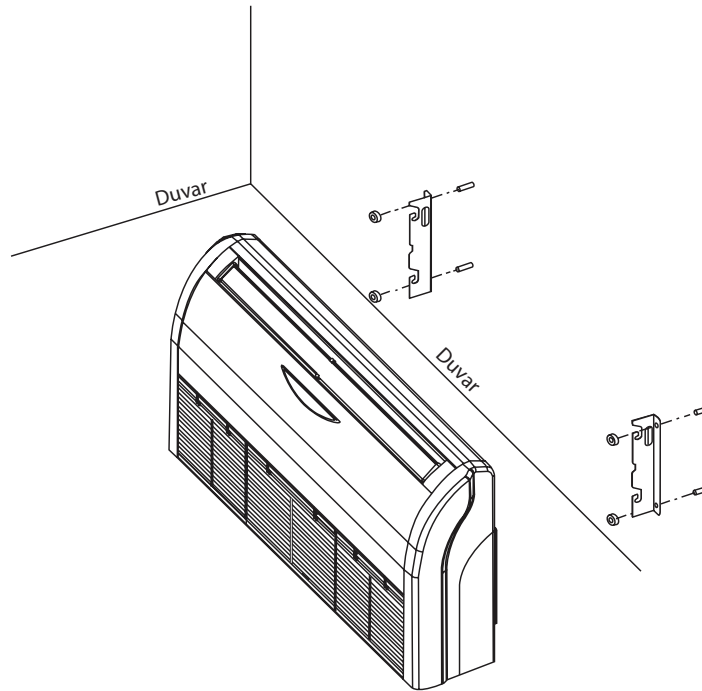
Tavan Tipi Kurulumu

Şekil D



Zemin Tipi Kurulumu

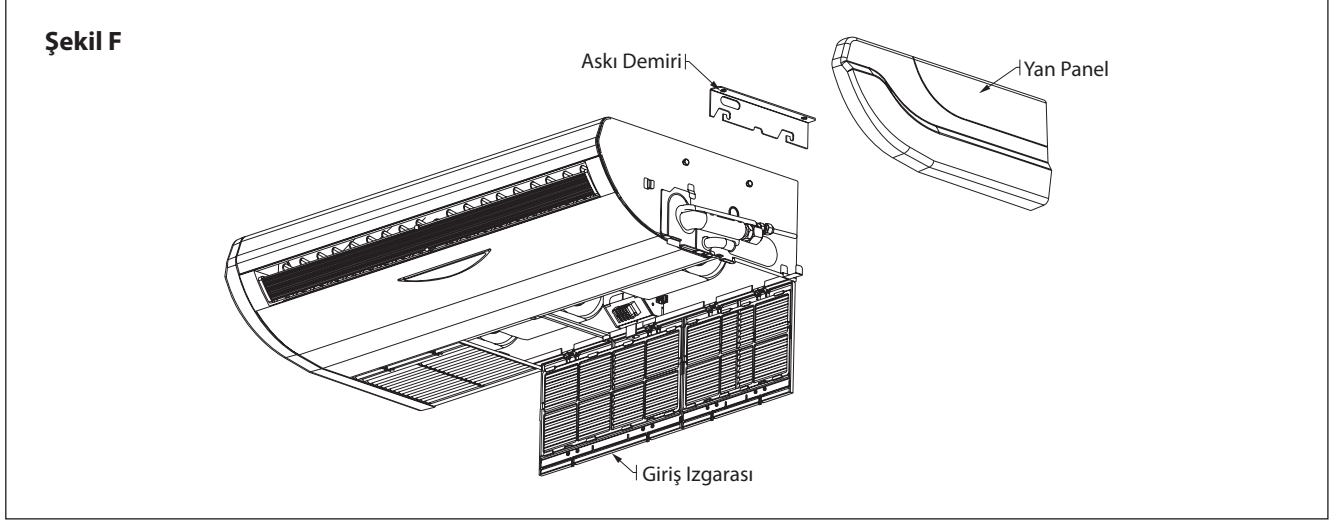
Şekil E



Kurulum - Tavan Açıkta Tip

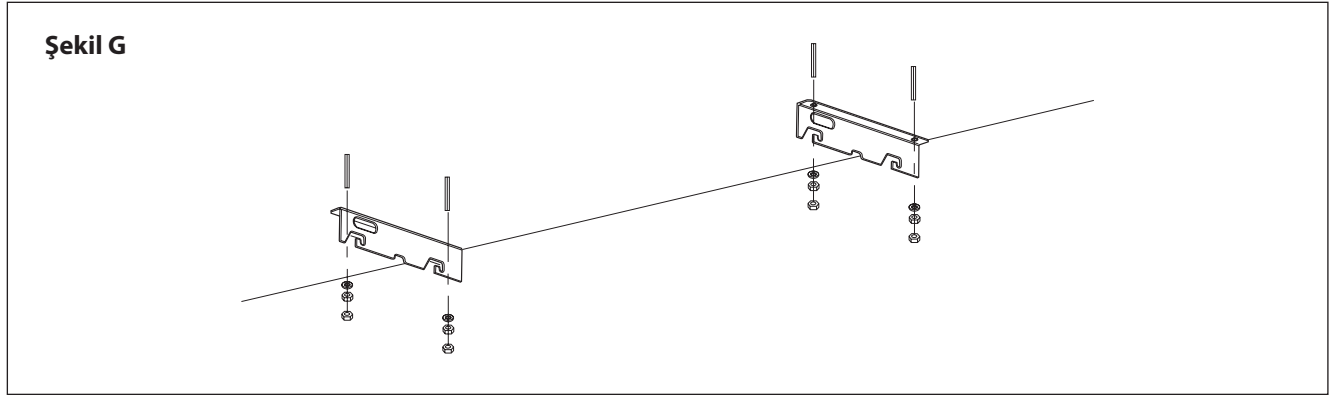
Adım 1

Hava alma ızgarasını, yan paneli ve askı braketini üniteden çıkarın. Lütfen Şekil F'ye bakın.



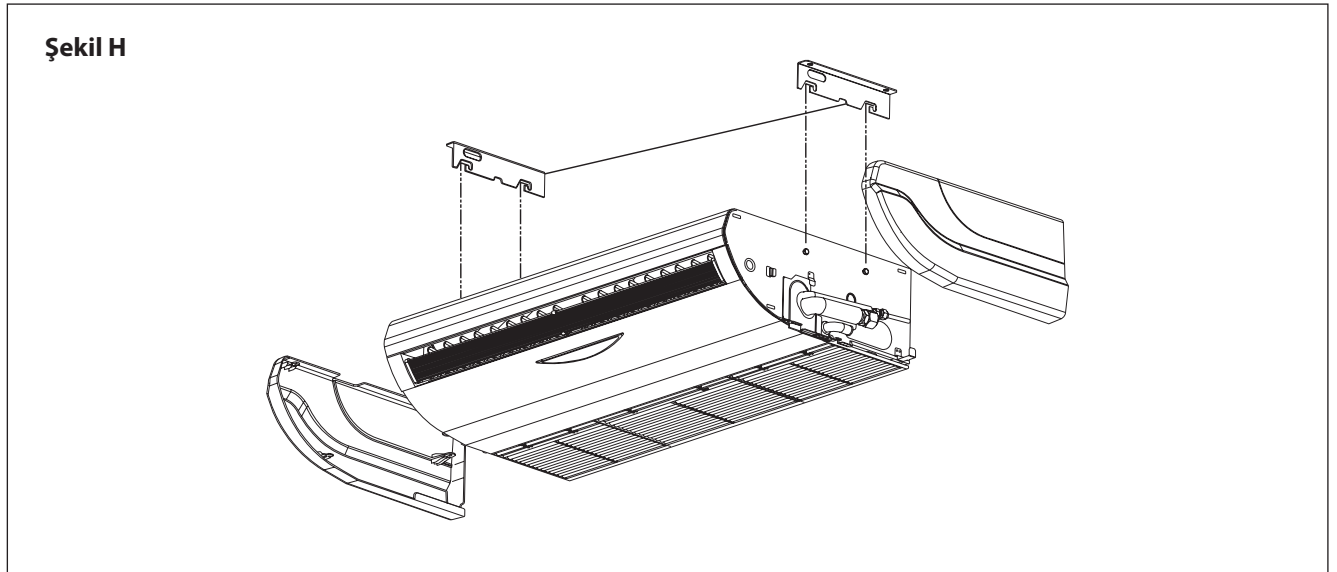
Adım 2

Askı çubuğunu Şekil G'de gösterildiği gibi yerleştirin ve askı braketini takın.

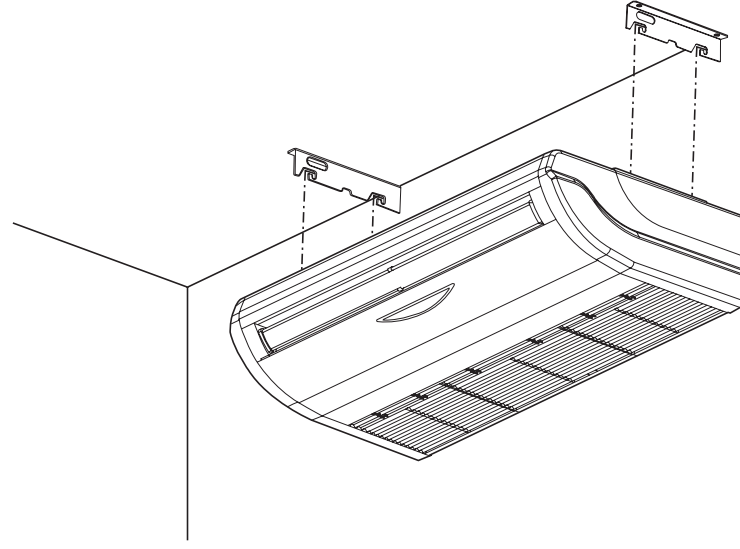


Adım 3

Boruları ve tahliye borusunu monte etmeden önce üniteyi asın ve cıvataları sıkıştırın. Lütfen Şekil H'ye bakın. Son olarak, hava alma ızgarasını ve yan paneli doğru yere takın. Lütfen Şekil I'ye bakın.

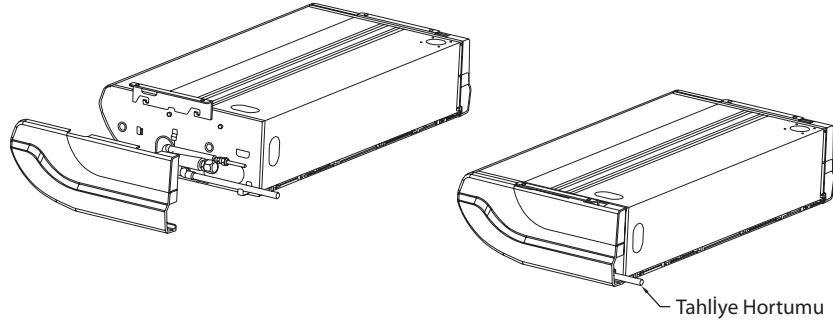


Şekil I



Boru Tesisi ve Boşaltma Hortumu Kurulumu

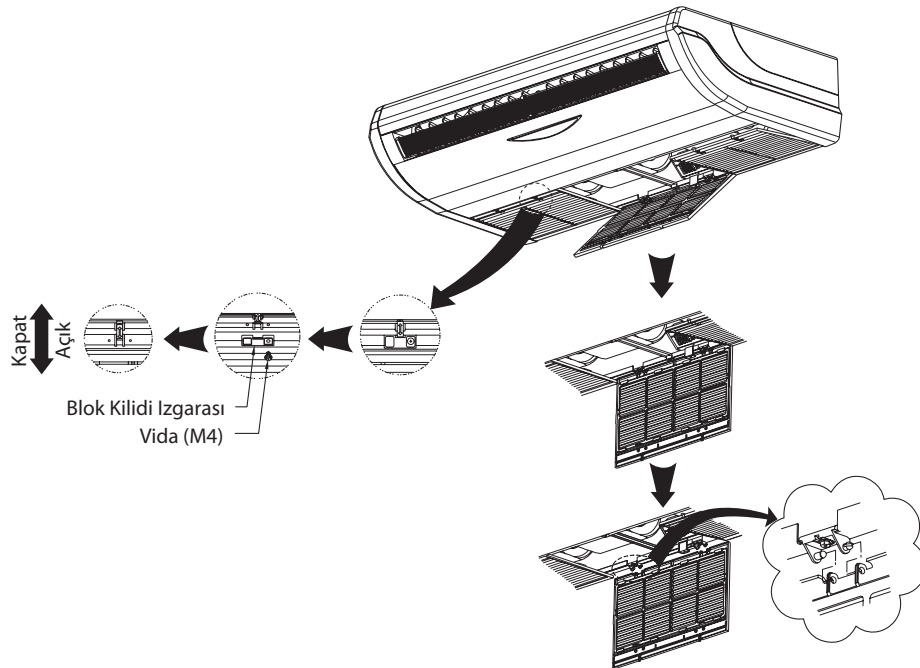
Şekil J



Hava alma ızgarasını açma adımları

1. Blok kilidi ızgarasına takılı vidayı tornavidayla çıkarın.
2. Blok kilidi ızgarasını çıkarın ve ızgara kilidini çıkarın.
3. Bilgi için lütfen Şekil K'ya bakın.

Şekil K



Boru İşleri ve Boru Havsa Tekniği

- Kirli veya hasarlı bakır boru kullanmayın. Herhangi bir boru tesisatı, hava kanalı veya kondensatör 15 saniye ya da daha fazla süre ile yalıtımsız ya da açık durumda kalırsa, sistemin temizlenmesi gerekmektedir. Genellikle, plastik, kauçuk tapalar ve pirinç somunları emiş veya sıvı borusunu valf ya da bağlantılara takmaya hazır oluncaya kadar valfer, bağlantılar, borular ve bobinlerden çıkarmayın.
- Eğer kaynak yapmanız gerekiyorsa, kaynak sırasında spirallerden ve bağlantılardan azot gazı geçmesini sağlayınız. Böylece bakır boruların iç çeperlerinde is oluşması önlenecektir.
- Boru kesicinin bıçağını yavaşça ilerleterek boruyu aşama aşama kesin. Fazla güç ve derin kesme daha fazla bozulmaya ve fazla çapağa neden olur. Şekil I'ye bakınız.
- Boruların kesik kenarlarındaki çapakları Şekil II'de gösterildiği gibi temizleyiciyle çıkartın. Bu konik yüzey üzerindeki gaz sızıntısına neden olabilecek pürüzleri ortadan kaldırır. Boruya metal çiplerin girmesini önlemek için borunun ucunu aşağı doğru tutun.
- Hem iç ünite hem dış ünite bağlantı parçalarının havş a somunlarını bakır borulara geçiriniz.
- Konik kalıbın yüzeyinden çıkmaktan olan borunun tam uzunluğu, konik alet tarafından belirlenir. Şekil III'ye bakın.
- Boruyu konik kalıp üzerinde sıkıca sabitleyin. Hem çekiçleme bloğu hem de konik matkabın orta noktalarını eşleştirin ve sonra konik matkabı tam olarak sıkın.

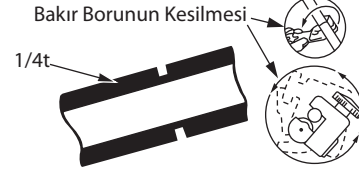
Ünitelere Boru Bağlantıları

- Borunun ortasını hizalayın ve konik civatayı parmaklarınızla mümkün olduğunca sıkıştırınız. Şekil IV'ye bakın.
- Son olarak, anahtardan çit sesi gelinceye kadar havşalı somunu bir tork anahtarıyla sıkın.
- Konik civatayı tork anahtarıyla sıkıştırırken, anahtarın üzerindeki oka göre doğru yönde sıkıştırdığınızdan emin olun.
- Soğutucu borusu bağlantısı kapalı hücreli poliüretan ile yalıtılmıştır.

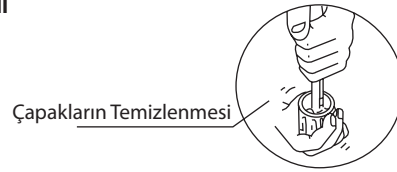
Boru Büyüklüğü (mm/in)	Tork (Nm/ft-lb)
6,35 (1/4")	18 (13,3")
9,52 (3/8")	42 (31,0")
12,70 (1/2")	55 (40,6")
15,88 (5/8")	65 (48,0")
19,05 (3/4")	78 (57,6")

Ø Boru, D		A (mm)	
Inç	mm	Esnek (Kelebek Somunlu Tip)	Sert (Kavrama Tipi)
1/4"	6,35	1,3	0,7
3/8"	9,52	1,6	1,0
1/2"	12,70	1,9	1,3
5/8"	15,88	2,2	1,7
3/4"	19,05	2,5	2,0

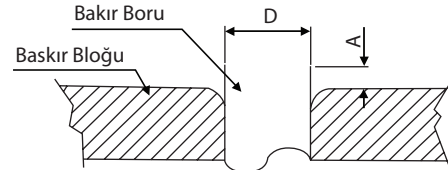
Şekil I



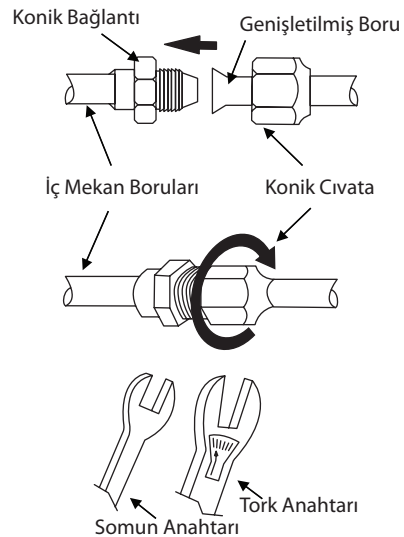
Şekil II



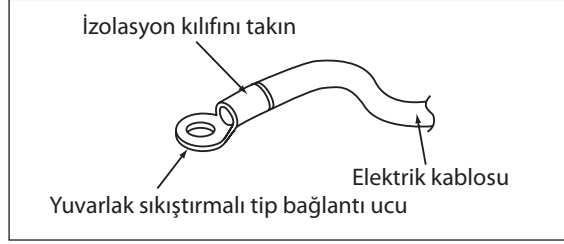
Şekil III



Şekil IV



- Tüm kablolar sıkıca bağlanmalıdır.
- Hiçbir kablonun soğutucu borulara, kompresöre veya herhangi bir hareketli parçaya değmediğinden emin olun.
- İç ünite ile dış ünite arasındaki bağlantı kablosu, ürünle birlikte verilen kablo sabitleyicisi kullanılarak kenetlenmelidir.
- Güç kaynağı kablosu minimum gereksinim olan H07RN-F değerinde olmalıdır.
- Terminal bağlantılarına ve kablolarına herhangi bir dış basınç uygulanmadığından emin olun.
- Tüm kapakların herhangi bir boşluk bırakılmadan gerektiği gibi sabitlenmesini sağlayın.
- Elektrik bağlantı kutusuna olan bağlantı kabloları için yuvarlak sıkıştırılmalı tip bağlantı ucu kullanın. Kabloları bağlantı kutusunun üzerindeki işaretlerle eşleştirerek bağlayın. (Üniteye yapıştırılan kablo şemasına bakınız).



- Uç vidaları sıkarken doğru tornavidayı kullanın. Uygun olmayan tornavidalar vida başına zarar verebilir.
- Aşırı sıkma terminal vidalarına hasar verebilir.
- Aynı uca farklı kalınlıkta kabloları bağlamayın.
- Kabloların düzenli kalmasını sağlayın. Kabloların diğer parçaları ve terminal kutusu kapağını engellemesini önleyin.



R410A ÜNİTESİYLE UĞRAŞIRKEN ÖZEL ÖNLEMLER

R410A ozon tabakasına zarar vermeyen yeni bir HFC soğutucudur. Bu yeni soğutucunun çalışma basıncı klasik soğutuculardan (R22) 1,6 kez daha yüksektir, bu nedenle uygun montaj / bakım zorunludur.

- R410A ile çalışmak için tasarlanan klimalarda asla R410A'dan başka soğutucu kullanmayın.
- R410A kompresör için, R22 kompresörde kullanılan mineral yağdan farklı POE veya PVE yağ kullanılır. Kurulum veya bakım sırasında, R410A sisteminin uzun süre nemli havaya maruz kalmamasına özel dikkat gösterilmelidir. Borularda ve bileşenlerde kalan POE veya PVE yağı havadan nem alabilir.
- Yanlış şarjı engellemek için, havşalı valfindaki servis yuvasının çapı R22'den farklıdır.

- Yalnızca R410A soğutucuya özel olan alet ve materyalleri için kullanın. R410A'ya özel olan aletler manifold valfi, şarj hortumu, basınç göstergesi, gaz sızıntı alarmı, havşa aletleri, tork anahtarı, vakum pompası ve soğutucu silindirdir.
- R410A kliması R22 ünitelerden daha yüksek basınç aldığı için, bakır boruları doğru olarak seçmek önemlidir. Pazarda bulunmalarına rağmen, 0,8mm 'den daha ince olan bakır boruları asla kullanmayın.
- Kurulum / servis sırasında soğutucu gaz sızıntısı meydana gelirse, tamamen havalandırmayı unutmayın. Soğutucu gaz ateşle temas ederse, zehirli gazlar meydana gelebilir.
- Bir klima takarken veya kaldırırken, soğutucu dönüşümde hava veya nem kalmasına izin vermeyin.

VAKUMLAMA VE DOLDURMA

Sistemden tüm nem ve havayı boşaltmak için vakumlama işlemi gerekir.

Boruları ve İç Üniteyi Vakumlama

İç mekan ünitesi ve soğutucu bağlantı boruları hava ile arındırılmalıdır çünkü soğutucu devrinde kalan nemli hava kompresörün arızalanmasına neden olabilir.

- Valf ve servis deliği kapaklarını çıkarın.
- Dolu ölçeri ortasından vakum pompasına bağlayın.
- Dolu ölçeri 3 yönlü valfni servis deliğine bağlayın.

- Vakum pompasını çalıştırın. Yaklaşık 30 dakika tahliye edin. Tahliye süresi vakum pompasının kapasitesine göre değişebilir. Dolu ölçer iğnesinin -760mmHg arasında hareket ettiğini doğrulayın.

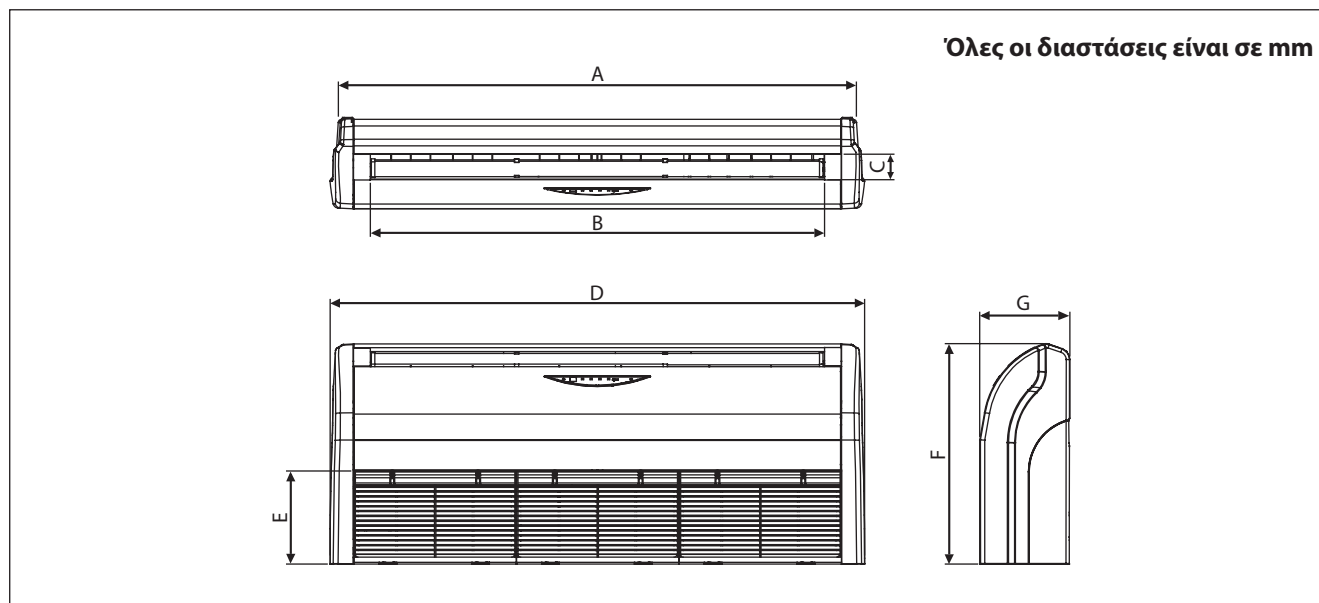
Dikkat

- Ölçerin iğnesi -760mmHg arasında hareket etmezse, iç ve dış ünitenin konik tip bağlantısında gaz sızıntısı olmadığından emin olun (soğutucu detektörü kullanarak) ve sonraki adıma geçmeden önce sızıntıyı giderin.
- Değiştirme ölçerinin valfni kapatın ve vakum pompasını durdurun.

NOT

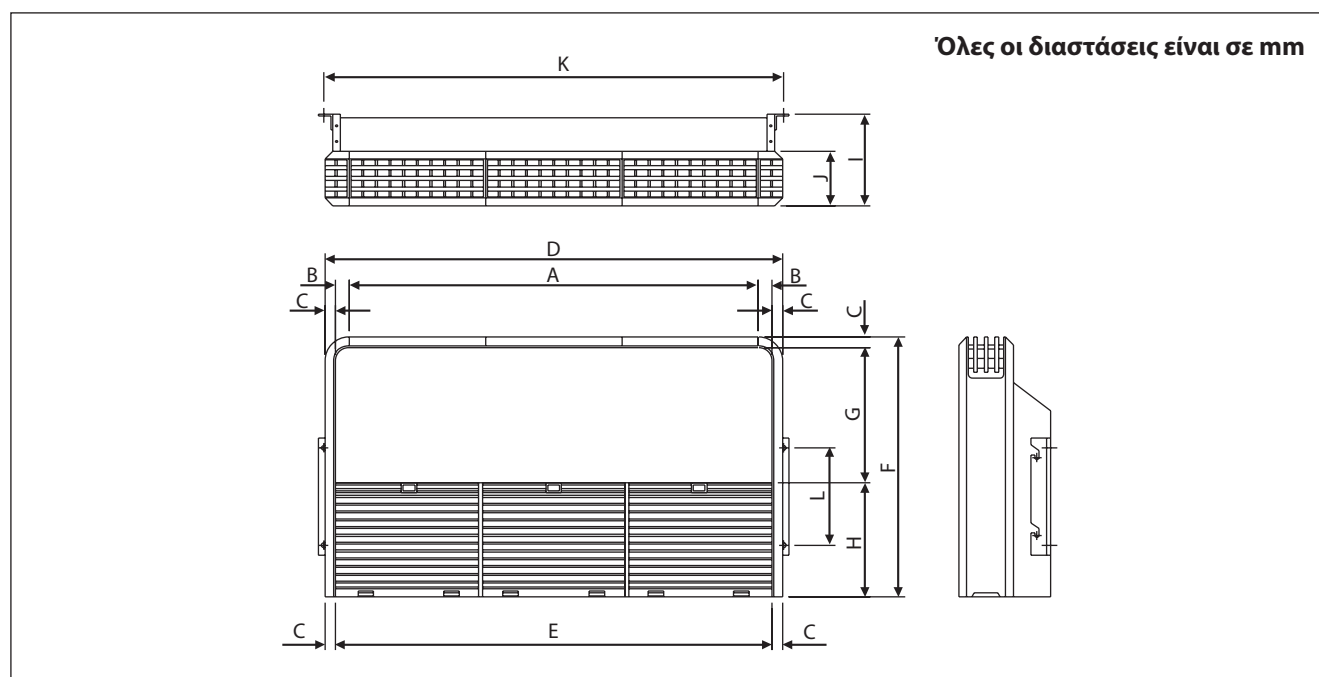
ΠΕΡΙΓΡΑΦΜΑ ΚΑΙ ΔΙΑΣΤΑΣΕΙΣ

Εσωτερική μονάδα AHQ71/100/125CV1



Μοντέλο \ Διάσταση	A	B	C	D	E	F	G
AHQ71CV1	1272	1088	74	1320	268	635	259
AHQ100CV1	1490	1308	74	1538	268	635	259
AHQ125CV1	1738	1556	74	1786	268	635	259

Εσωτερική μονάδα AHQ140CV1



Μοντέλο \ Διάσταση	A	B	C	D	E	F	G	H	I	J	K	L
AHQ140CV1	1750	40	36	1903	1830	680	352	292	285	140	1880	250

ΕΓΧΕΙΡΙΔΙΟ ΕΓΚΑΤΑΣΤΑΣΗΣ

Το παρόν εγχειρίδιο παραθέτει τις διαδικασίες εγκατάστασης με σκοπό τη διασφάλιση της ασφαλούς και καλής λειτουργίας της μονάδας κλιματισμού. Ενδέχεται να χρειαστούν ειδικές ρυθμίσεις για να ικανοποιηθούν οι τοπικές απαιτήσεις.

Πριν χρησιμοποιήσετε το κλιματιστικό, διαβάστε προσεκτικά το παρόν εγχειρίδιο οδηγιών και φυλάξτε το για μελλοντική χρήση.

Αυτή η συσκευή προορίζεται για χρήση από ειδικούς ή εκπαιδευμένους χρήστες σε καταστήματα, στην ελαφρά βιομηχανία και σε αγροκτήματα, ή για εμπορική χρήση από νομικά πρόσωπα.

Η συσκευή δεν προορίζεται για χρήση από παιδιά και άτομα με μειωμένες σωματικές, αισθητηριακές ή πνευματικές ικανότητες, ή από άτομα χωρίς εμπειρία και γνώσεις, εκτός εάν τη χειρίζονται σύμφωνα με τις οδηγίες ή υπό την επίβλεψη κάποιου ατόμου υπεύθυνου για την ασφάλειά τους.

Μην αφήνετε τα παιδιά χωρίς επίτηρηση, προκειμένου να εξασφαλίσετε ότι δεν παίζουν με τη συσκευή.





ΠΡΟΦΥΛΑΞΕΙΣ ΑΣΦΑΛΕΙΑΣ

ΠΡΟΕΙΔΟΠΟΙΗΣΗ

- Η εγκατάσταση και η συντήρηση θα πρέπει να εκτελείται από εξειδικευμένα άτομα που γνωρίζουν τον τοπικό κώδικα και τους κανονισμούς, και έχουν πείρα με τέτοιου είδους συσκευές.
- Όλες οι επί τόπου καλωδιώσεις πρέπει να εγκαθίστανται σύμφωνα με τον εθνικό κανονισμό καλωδίωσης.
- Βεβαιωθείτε ότι η ονομαστική τάση τροφοδοσίας της μονάδας αντιστοιχεί σε αυτήν που αναγράφεται στην πινακίδα τύπου, πριν αρχίσετε την καλωδίωση σύμφωνα με το διάγραμμα συνδεσμολογίας.
- Η μονάδα πρέπει να ΓΕΙΩΝΕΤΑΙ προκειμένου να αποφευχθεί τυχόν κίνδυνος λόγω αστοχίας της μόνωσης.
- Απαγορεύεται να έλθει η ηλεκτρική καλωδίωση σε επαφή με τη σωλήνωση ψυκτικού μέσου ή οποιαδήποτε κινούμενα μέρη των μοτέρ ανεμιστήρων.
- Βεβαιωθείτε ότι η μονάδα είναι ΑΠΕΝΕΡΓΟΠΟΙΗΜΕΝΗ πριν την εγκατάστασή της ή την συντηρήσετε.
- Αποσυνδέστε τη μονάδα κλιματισμού από το δίκτυο ηλεκτρικής τροφοδοσίας πριν εκτελέσετε σέρβις σε αυτήν.
- ΜΗΝ τραβάτε το καλώδιο ρεύματος ενόσω η τροφοδοσία είναι ΕΝΕΡΓΟΠΟΙΗΜΕΝΗ. Κάτι τέτοιο μπορεί να προκαλέσει σοβαρές ηλεκτρικές εκκενώσεις με κίνδυνο πυρκαγιάς.
- Τοποθετήστε την εσωτερική και την εξωτερική μονάδα, το καλώδιο τροφοδοσίας και την καλωδίωση μετάδοσης, σε απόσταση τουλάχιστον 1m από τηλεοράσεις και ραδιόφωνα, ώστε να αποφύγετε τυχόν παραμορφωμένες εικόνες και παράσιτα. (Ανάλογα με τον τύπο και την πηγή των ηλεκτρικών κυμάτων ενδέχεται να ακούγεται θόρυβος ακόμα και σε απόσταση μεγαλύτερη από 1m).

ΠΡΟΣΟΧΗ

Κατά την εγκατάσταση, λάβετε υπόψη τις παρακάτω σημαντικές παρατηρήσεις.

- **Μην εγκαθιστάτε τη μονάδα σε σημεία όπου ενδέχεται να σημειωθεί διαρροή εύφλεκτου αερίου.**
 Αν κάποιο αέριο διαρρεύσει και συσσωρευτεί γύρω από τη μονάδα, μπορεί να προκληθεί ανάφλεξη.
- **Βεβαιωθείτε ότι η σωλήνωση αποστράγγισης είναι συνδεδεμένη σωστά.**
 Αν η σωλήνωση αποστράγγισης δεν είναι συνδεδεμένη σωστά, ενδέχεται να εκρυσταίει νερό που θα ποτίσει τα έπιπλα.
- **Μην γεμίζετε υπερβολικά τη μονάδα.**
 Η πλήρωση της μονάδας έχει γίνει στο εργοστάσιο. Τυχόν υπερβολική πλήρωση θα προκαλέσει υπερένταση ή ζημιά στο συμπιεστή.
- **Βεβαιωθείτε ότι το πάνελ της μονάδας είναι κλειστό μετά το σέρβις ή την εγκατάσταση.**
 Αστερέωτα πάνελ θα προκαλέσουν θορυβώδη λειτουργία της μονάδας.
- **Οι αιχμηρές άκρες και οι επιφάνειες των σερπαντίνων είναι σημεία που κρύβουν κινδύνους τραυματισμού.**
Αποφύγετε την επαφή με τα σημεία αυτά.
- **Πριν απενεργοποιήσετε την τροφοδοσία, θέστε το διακόπτη ON/OFF (ΕΝΕΡΓΟΠΟΙΗΣΗ/ ΑΠΕΝΕΡΓΟΠΟΙΗΣΗ) του τηλεχειριστηρίου στη θέση "OFF" (ΑΠΕΝΕΡΓΟΠΟΙΗΣΗ) για να αποφύγετε το ενδεχόμενο ακούσιας ενεργοποίησης της μονάδας.** Σε διαφορετική περίπτωση, οι ανεμιστήρες της μονάδας θα αρχίσουν να λειτουργούν αυτόματα μόλις αποκατασταθεί η τροφοδοσία, γεγονός που εκθέτει το προσωπικό του σέρβις ή το χρήστη σε κινδύνους.
- **Μην χρησιμοποιείτε συσκευές θέρμανσης πολύ κοντά στη μονάδα κλιματισμού.** Αυτό μπορεί να κάνει τον πλαστικό πίνακα να λιώσει ή να παραμορφωθεί ως αποτέλεσμα της υπερβολικής θέρμανσης.
- **Μην εγκαθιστάτε τις μονάδες στην η κοντά σε είσοδο.**
- **Μην εγκαθιστάτε οποιαδήποτε συσκευή θέρμανσης πολύ κοντά στο κλιματιστικό ούτε να τη χρησιμοποιείτε εκεί όπου υπάρχουν μεταλλικά λάδια, ατμοί λαδιών, γιατί αυτό μπορεί να προκαλέσει το λιώσιμο των πλαστικών μερών ή την παραμόρφωση ως αποτέλεσμα υπερβολικής θέρμανσης ή χημικής αντίδρασης.**
- **Όταν η μονάδα χρησιμοποιείται στην κουζίνα, κρατήστε μακριά το αλεύρι ώστε να μην αναροφρηθεί από τη μονάδα.**
- **Αυτή η μονάδα δεν είναι κατάλληλη για εργοστάσια όπου υπάρχει σκόνη κοπής ή αιθάλη λαδιού ή κυμαινόμενη τάση.**
- **Μην εγκαθιστάτε τις μονάδες σε περιοχή με θερμές πηγές ούτε σε διυλιστήρια όπου υπάρχει αέριο του θείου.**
- **Βεβαιωθείτε ότι το χρώμα των καλωδίων της εξωτερικής μονάδας και των επιστημάτων του θερματικού είναι το ίδιο με εκείνο της εσωτερικής.**
- **ΣΗΜΑΝΤΙΚΟ : ΜΗΝ ΕΓΚΑΘΙΣΤΑΤΕ Ή ΧΡΗΣΙΜΟΠΟΙΕΙΤΕ ΤΟ ΚΛΙΜΑΤΙΣΤΙΚΟ ΣΕ ΔΩΜΑΤΙΟ ΟΠΟΥ ΥΠΑΡΧΕΙ ΠΛΥΝΗΤΡΙΟ ΡΟΥΧΩΝ.**
- **Μην χρησιμοποιείτε ενωμένα και συνεστραμμένα καλώδια για την τροφοδοσία.**
- **Αποφύγετε την άμεση επαφή των καθαριστικών πηνίων με το πλαστικό μέρος. Μπορεί να προκληθεί παραμόρφωση των πλαστικών μερών λόγω χημικής αντίδρασης.**
- **Για ερωτήσεις σχετικά με ανταλλακτικά, επικοινωνήστε με τον εξουσιοδοτημένο αντιπρόσωπο.**
- **Ο εξοπλισμός δεν προορίζεται για χρήση σε μια δυνητικά εκρήξιμη ατμόσφαιρα**

ΣΗΜΕΙΩΣΗ

Απαιτείται Απορριψη

Το κλιματιστικό σας φέρει αυτό το σύμβολο. Αυτό σημαίνει ότι ηλεκτρικά και ηλεκτρονικά προϊόντα δεν πρέπει να αναμιγνύονται με αταξινόμητα οικιακά απορρίμματα.

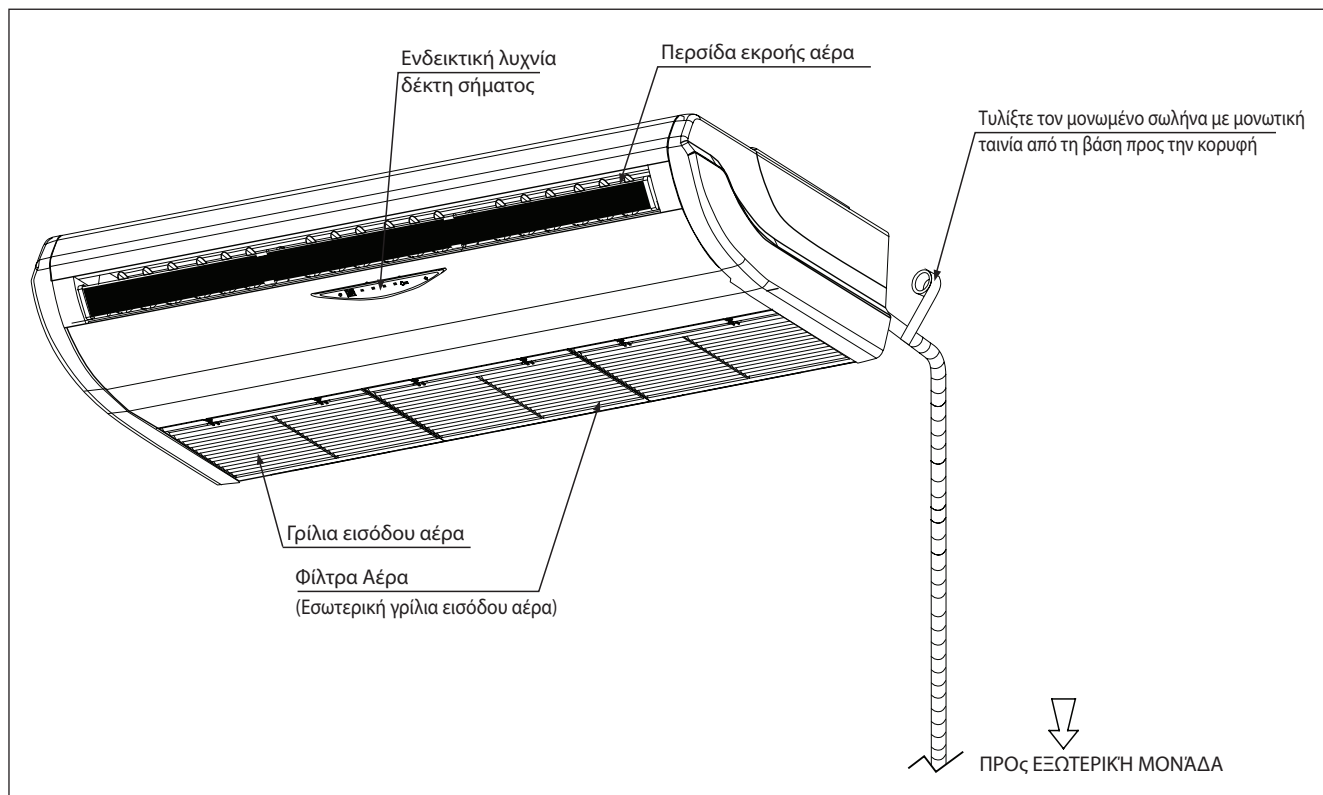
Μην προσπαθήσετε να αποσυναρμολογήσετε μόνοι σας το σύστημα. Η αποσυναρμολόγηση του συστήματος του κλιματιστικού, η επεξεργασία ψυκτικού, λαδιών και άλλων μερών πρέπει να γίνεται από εξειδικευμένο τεχνικό εγκατάστασης σύμφωνα με τη σχετική τοπική και εθνική νομοθεσία.

Η επεξεργασία των κλιματιστικών πρέπει να γίνεται σε ειδικό εργαστήριο για την επαναχρησιμοποίηση, ανακύκλωση και ανάκτηση τους. Εξασφαλίζοντας ότι τον προϊόν έχει απορριφθεί σωστά, βοηθάτε στο να αποφευχθούν πιθανές αρνητικές συνέπειες για το περιβάλλον και την ανθρώπινη υγεία. Επικοινωνήστε με τον τεχνικό εγκατάστασης ή τις τοπικές αρχές για περισσότερες πληροφορίες.

Οι μπαταρίες πρέπει να αφαιρεθούν από το τηλεχειριστήριο και να απορριφθούν ξεχωριστά σύμφωνα με τη σχετική τοπική και εθνική νομοθεσία.



ΔΙΑΓΡΑΜΜΑ ΕΓΚΑΤΑΣΤΑΣΗΣ (ΑΗQ71/100/125CV1)



ΕΓΚΑΤΑΣΤΑΣΗ ΤΗΣ ΕΣΩΤΕΡΙΚΗΣ ΜΟΝΑΔΑΣ (ΑΗQ71/100/125CV1)

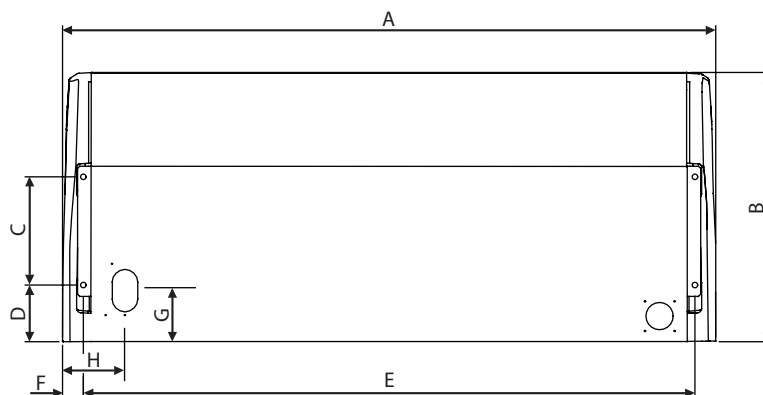
Προκαταρκτική επισκόπηση της θέσης εγκατάστασης

- Η αυξομείωση της τάσης δεν πρέπει να υπερβαίνει το $\pm 10\%$ της ονομαστικής τάσης. Οι γραμμές ηλεκτρικής παροχής πρέπει να είναι ανεξάρτητες του μετασχηματιστή συγκόλλησης που μπορεί να προκαλέσει υψηλές αυξομειώσεις της παροχής
- Βεβαιωθείτε ότι η θέση είναι κατάλληλη για τη καλωδίωση, τη σωλήνωση και την αποστράγγιση.

Στάνταρ τοποθέτηση

Βεβαιωθείτε ότι τα στηρίγματα οροφής είναι αρκετά ισχυρά ώστε να στηρίζουν το βάρος της μονάδας. Τοποθετήστε τις ράβδους αναρτήρα (επιτοίχιο στήριγμα επιδαπέδιας τοποθέτησης) και ελέγξτε την ευθυγράμμισή τους με τη μονάδα όπως φαίνεται στην Εικόνα Α. Επίσης, ελέγξτε ότι οι αναρτήρες έχουν στερεωθεί γερά και η βάση της μονάδας πηνίου ανεμιστήρα είναι ευθυγραμμισμένη προς τις δύο οριζόντιες κατευθύνσεις, λαμβάνοντας υπόψη την κλίση για τη ροή αποστράγγισης όπως προτείνεται στην Εικόνα Β.

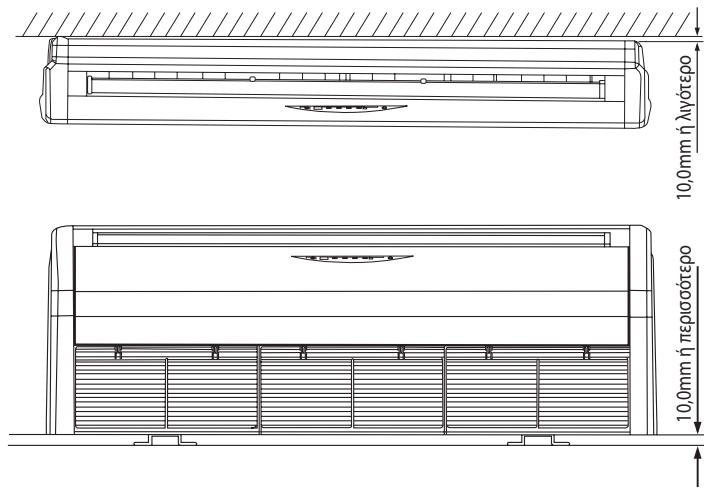
Εικόνα Α



Όλες οι διαστάσεις είναι σε mm

Μοντέλο \ Διάσταση	A	B	C	D	E	F	G	H
ΑΗQ71CV1	1320	635	255	134	1222	49	148	120
ΑΗQ100CV1	1538	635	255	134	1440	49	148	120
ΑΗQ125CV1	1786	635	255	134	1688	49	148	120

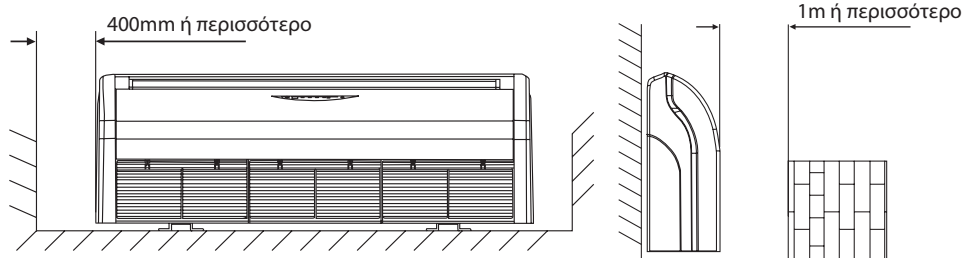
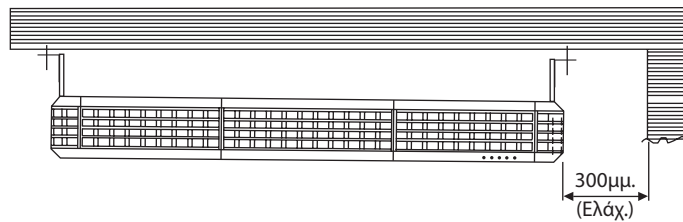
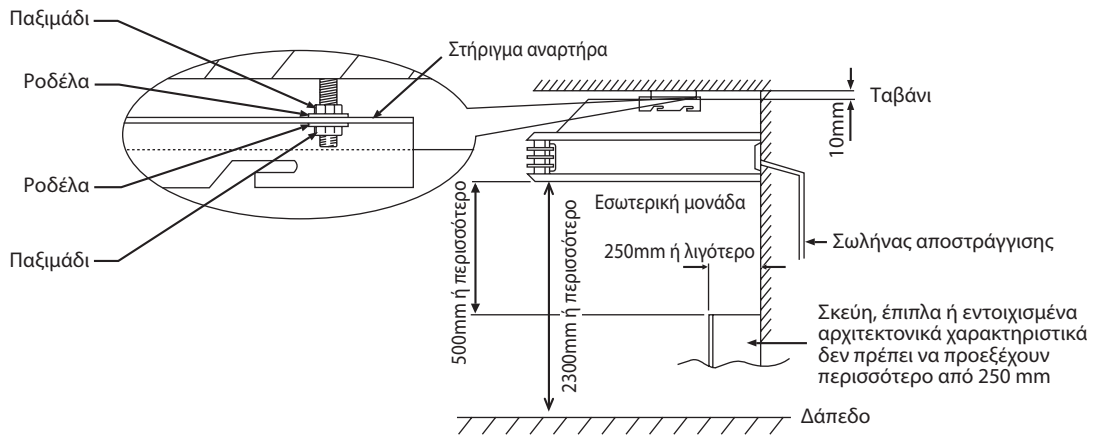
Εικόνα Β



Βεβαιωθείτε ότι έχετε ακολουθήσει τα παρακάτω βήματα:

- Η εγκατάσταση της μονάδας πρέπει να έχει κλίση τουλάχιστον 10mm όπως συνιστάται στην Εικόνα Β.
- Η κλίση του σωλήνα αποστράγγισης πρέπει να είναι τουλάχιστον 1:100.
- Δώστε χώρο για εύκολη επισκευή και καλύτερη ροή αέρα όπως δείχνει η Εικόνα C.
- Η εσωτερική μονάδα πρέπει να είναι εγκατεστημένη έτσι ώστε να μην υπάρχει κλειστό κύκλωμα του ψυχρού αέρα εκροής με το θερμό αέρα επιστροφής.
- Μην εγκαταστήσετε την εσωτερική μονάδα σε μέρος όπου η μονάδα εκτίθεται σε άμεσο ηλιακό φως. Η θέση πρέπει να είναι κατάλληλη για την εγκατάσταση σωλήνωσης και αποστράγγισης. Η μονάδα πρέπει να έχει μεγάλη απόσταση από την πόρτα.

Εικόνα C



Επιδαπέδιος τύπος

Εγκατάσταση των μπουλονιών ανάρτησης

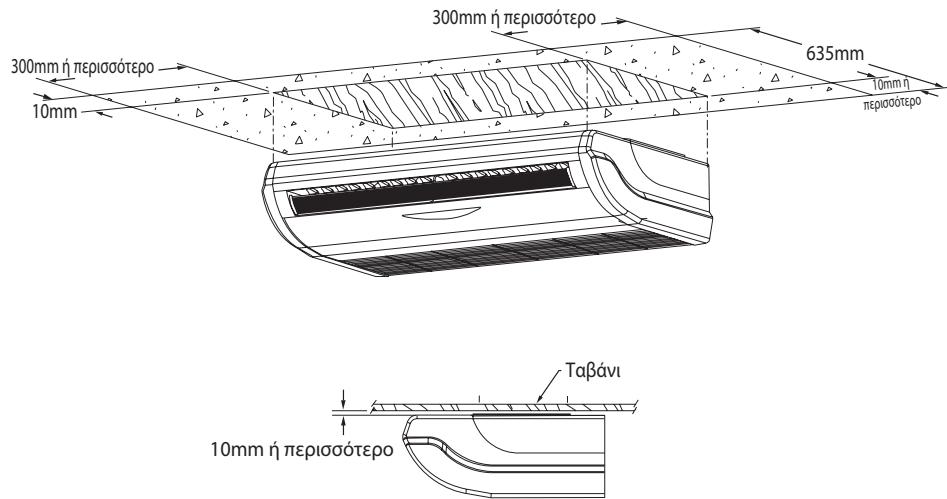
1. Εγκαταστήστε τα μπουλόνια ανάρτησης έτσι ώστε να μπορούν να στηρίξουν την εσωτερική μονάδα.
2. Ρυθμίστε την απόσταση από την οροφή πριν από την εγκατάσταση.
3. Ανατρέξτε στις διαστάσεις που παρέχονται για την εγκατάσταση της μονάδας.

Εγκατάσταση εσωτερικών μονάδων

1. Εισαγάγετε τα μπουλόνια ανάρτησης στα εξαρτήματα του στηρίγματος αναρτήρα.
2. Τοποθετήστε τα παξιμάδια και τη ροδέλα και στις δύο πλευρές των μεταλλικών εξαρτημάτων.
3. Στερεώστε την με τα παξιμάδια.

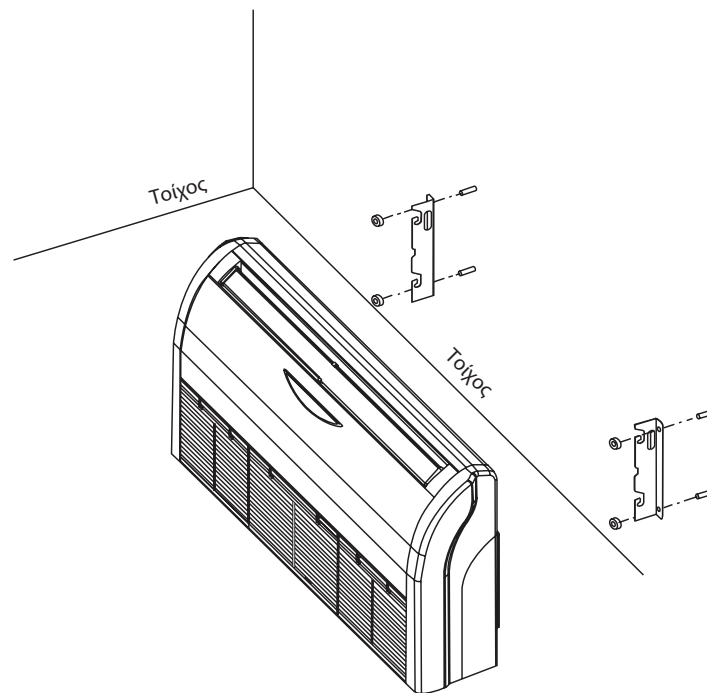
Τύπος εγκατάστασης οροφής

Εικόνα D



Εγκατάσταση επιδαπέδιου τύπου

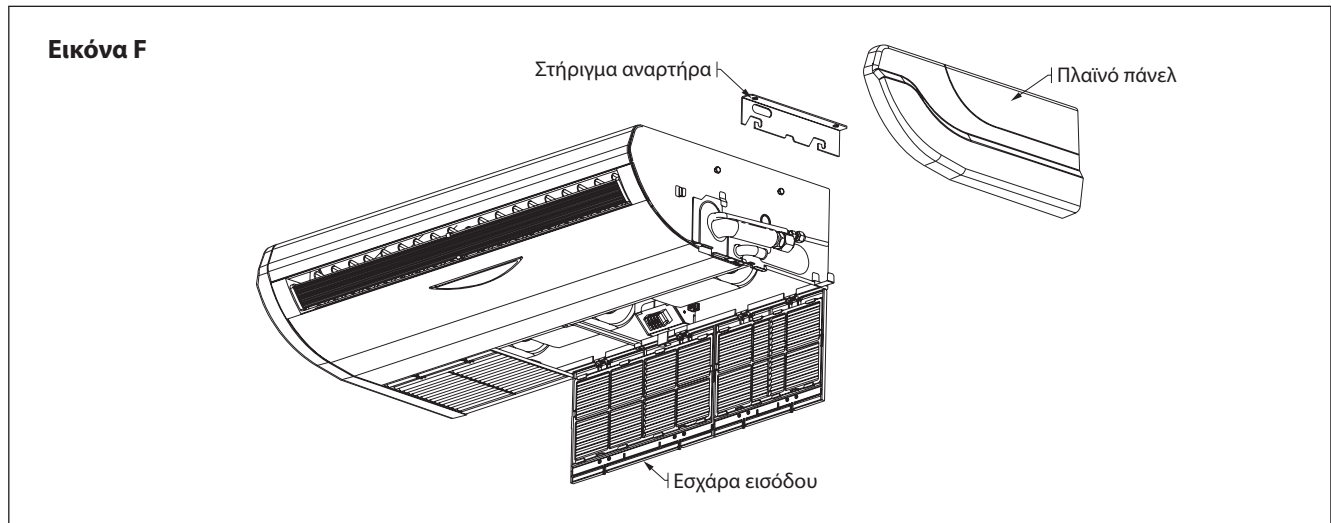
Εικόνα E



Εγκατάσταση - Τύπος οροφής

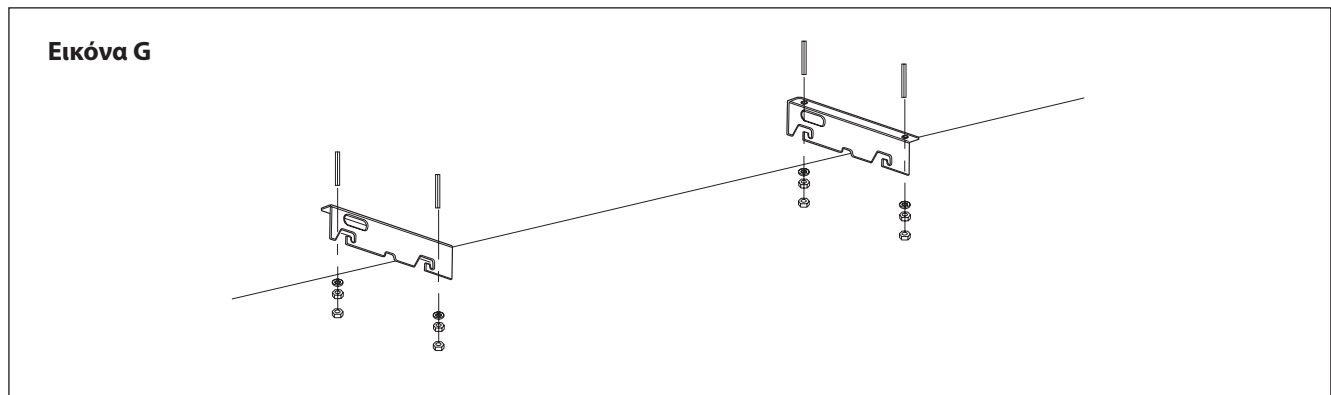
Βήμα 1

Αφαιρέστε τη γρίλια εισόδου αέρα, το πλαϊνό πάνελ και το στήριγμα αναρτήρα από τη μονάδα. Ανατρέξτε στην Εικόνα F.



Βήμα 2

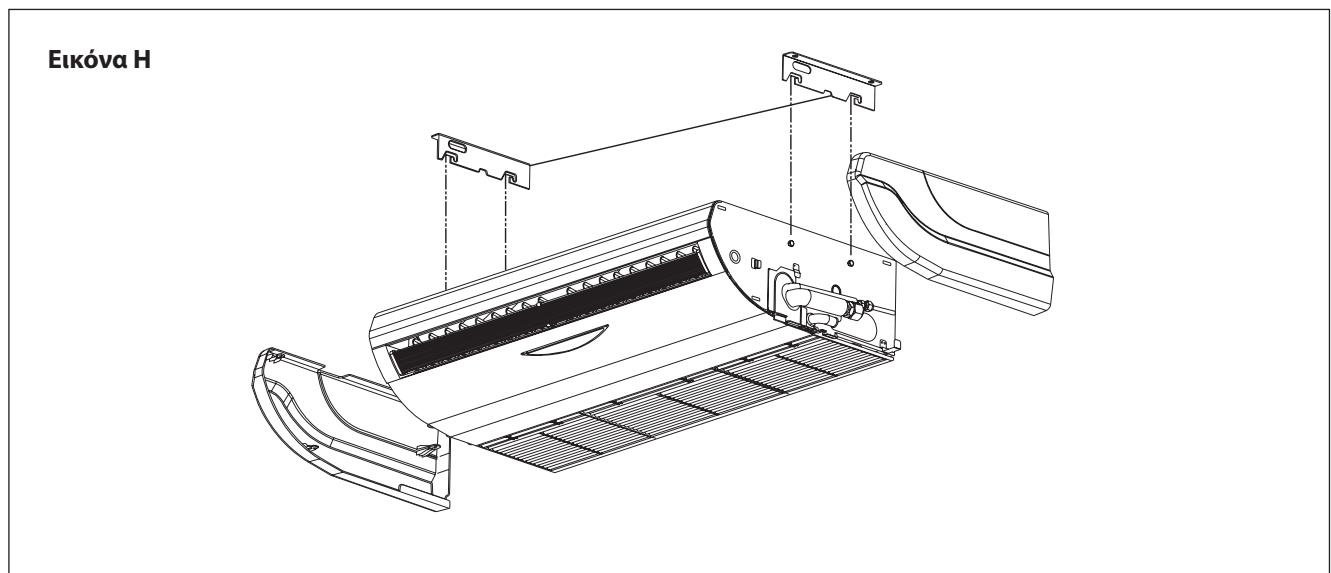
Τοποθετήστε τη ράβδο αναρτήρα όπως φαίνεται στην Εικόνα G και εγκαταστήστε το στήριγμα αναρτήρα.



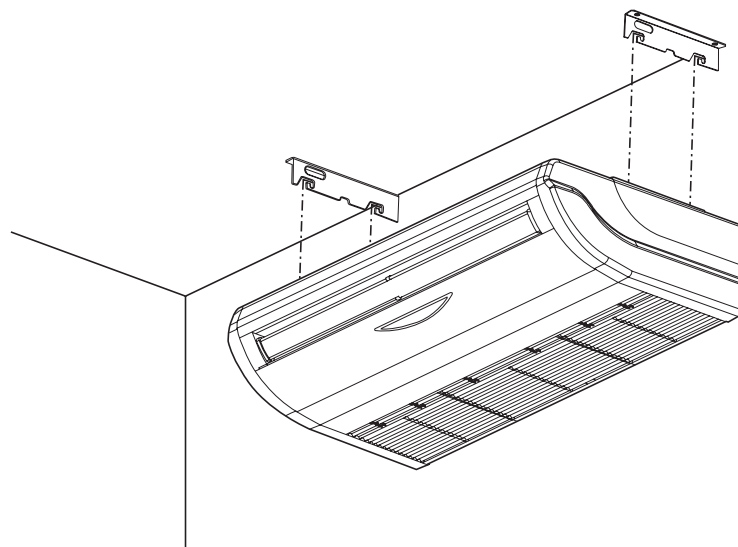
Βήμα 3

Κρεμάστε τη μονάδα και σφίξτε τα μπουλόνια μετά από την εγκατάσταση της σωλήνωσης και του σωλήνα αποστράγγισης. Ανατρέξτε στην Εικόνα H.

Τέλος εγκαταστήστε τη γρίλια εισόδου και το πλαϊνό πάνελ στη σωστή θέση. Ανατρέξτε στην Εικόνα I.

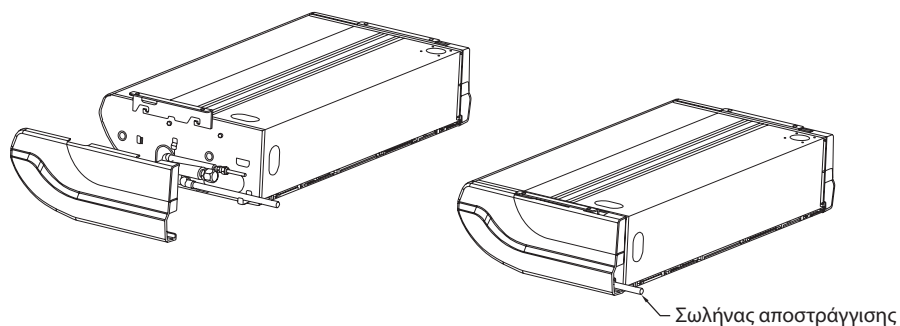


Εικόνα I



Εγκατάσταση σωλήνωσης και σωλήνα αποστράγγισης

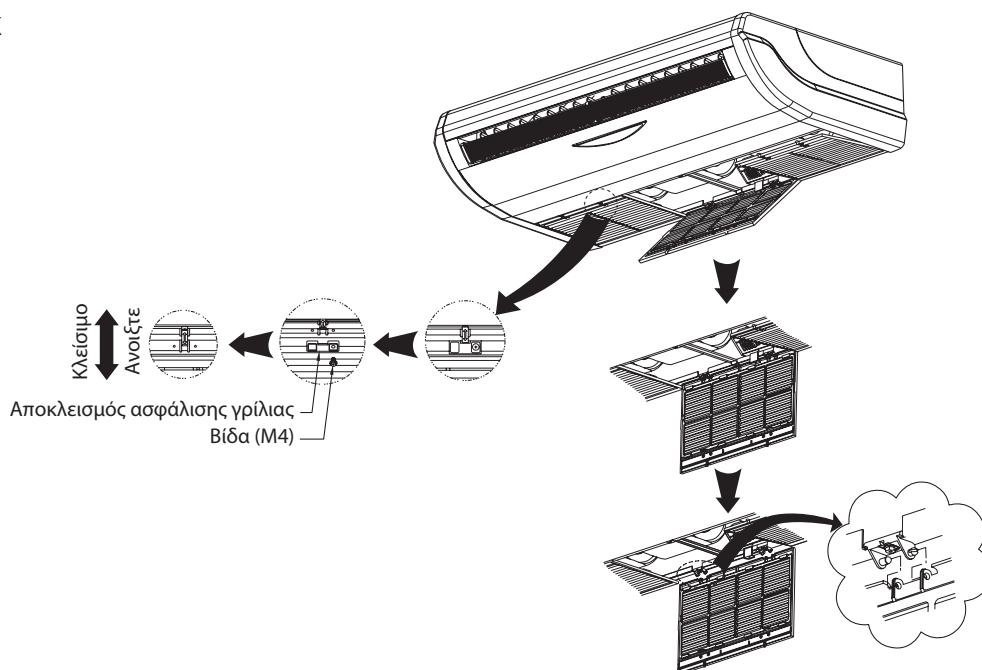
Εικόνα J



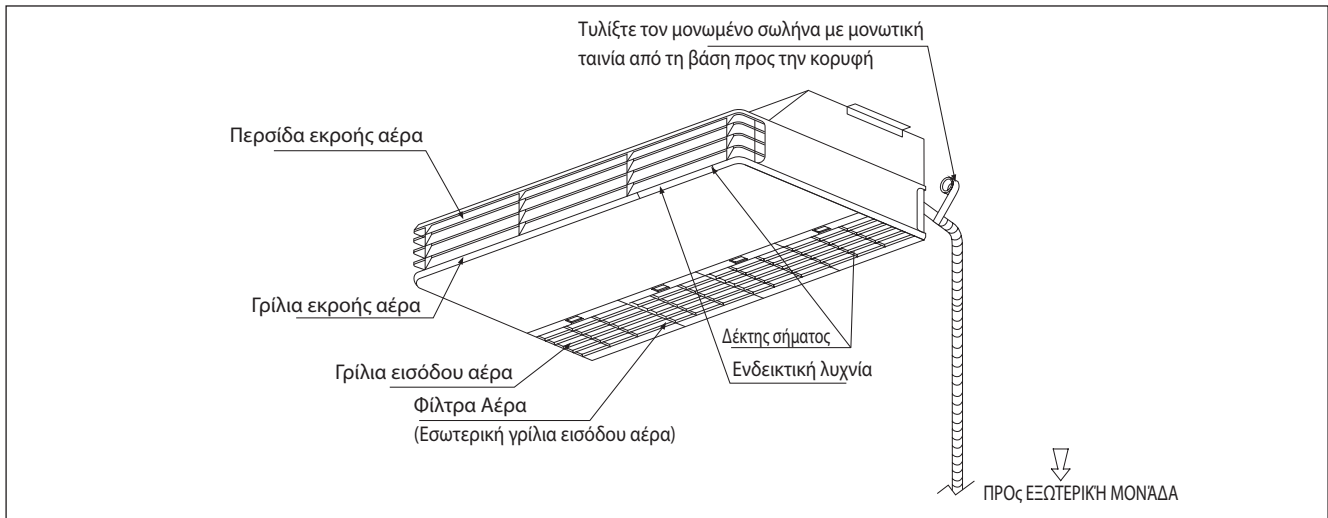
Βήματα για να ανοίξετε τη γρίλια εισόδου

1. Ξεβιδώστε τη βίδα που είναι συνδεδεμένη στον αποκλεισμό ασφάλισης γρίλιας με ένα κατσαβίδι.
2. Αφαιρέστε τον αποκλεισμό ασφάλισης γρίλιας και απασφαλίστε την ασφάλιση της γρίλιας.
3. Ανατρέξτε στην Εικόνα K για αναφορά.

Εικόνα K



ΔΙΑΓΡΑΜΜΑ ΕΓΚΑΤΑΣΤΑΣΗΣ (ΑΗQ140CV1)



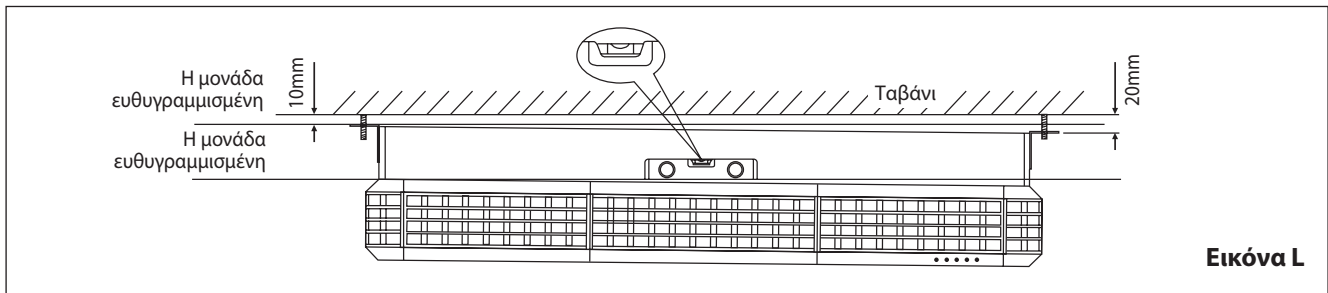
ΕΓΚΑΤΑΣΤΑΣΗ ΤΗΣ ΕΣΩΤΕΡΙΚΗΣ ΜΟΝΑΔΑΣ (ΑΗQ140CV1)

Προκαταρκτική επισκόπηση της θέσης εγκατάστασης

- Η αυξομείωση της τάσης δεν πρέπει να υπερβαίνει το $\pm 10\%$ της ονομαστικής τάσης. Οι γραμμές ηλεκτρικής παροχής πρέπει να είναι ανεξάρτητες των μετασχηματιστών συγκόλλησης που μπορεί να προκαλέσουν υψηλή αυξομείωση της παροχής.
- Βεβαιωθείτε ότι η θέση εγκατάστασης είναι κατάλληλη για τη καλωδίωση και την αποστράγγιση.

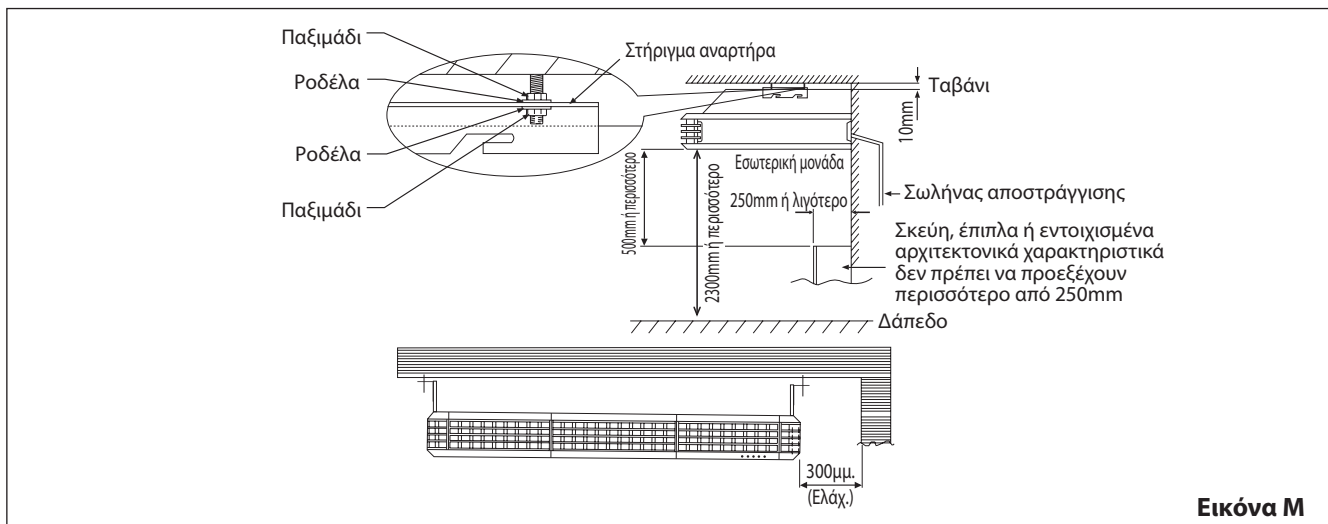
Στάνταρ τοποθέτηση

Βεβαιωθείτε ότι τα στηρίγματα οροφής είναι αρκετά ισχυρά ώστε να στηρίξουν το βάρος της μονάδας. Τοποθετήστε τις ράβδους αναρτήρα και ελέγξτε την ευθυγράμμισή τους με τη μονάδα. Επίσης, ελέγξτε ότι οι ράβδοι έχουν στερεωθεί.



Βεβαιωθείτε ότι έχετε ακολουθήσει τα παρακάτω βήματα:

- Η εγκατάσταση της μονάδας πρέπει να έχει κλίση τουλάχιστον 10mm όπως συνιστάται στην Εικόνα L.
- Η κλίση του σωλήνα αποστράγγισης πρέπει να είναι τουλάχιστον 1:100.
- Δώστε χώρο για εύκολη επισκευή και καλύτερη ροή αέρα όπως δείχνει η Εικόνα M.
- Η εσωτερική μονάδα πρέπει να είναι εγκατεστημένη έτσι ώστε να μην υπάρχει κλειστό κύκλωμα του ψυχρού αέρα εκροής με το θερμό αέρα επιστροφής.
- Μην εγκαταστήσετε την εσωτερική μονάδα σε μέρος όπου η μονάδα εκτίθεται σε άμεσο ηλιακό φως. Η θέση πρέπει να είναι κατάλληλη για την εγκατάσταση σωλήνωσης και αποστράγγισης. Η μονάδα πρέπει να έχει μεγάλη απόσταση από την πόρτα.



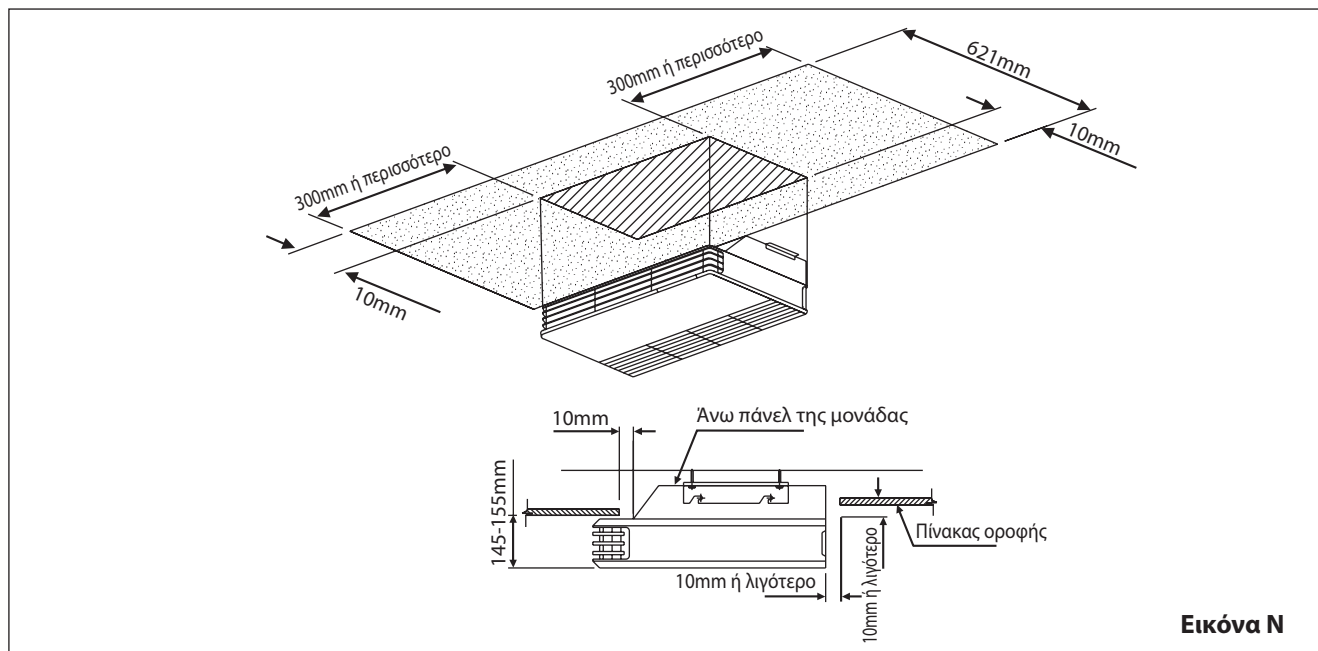
Εγκατάσταση των μπουλονιών ανάρτησης

1. Εγκαταστήστε τα μπουλόνια ανάρτησης έτσι ώστε να μπορούν να στηρίξουν την εσωτερική μονάδα.
2. Ρυθμίστε την απόσταση από την οροφή πριν από την εγκατάσταση.
3. Ανατρέξτε στις διαστάσεις που παρέχονται στην Εικόνα N για την εγκατάσταση της μονάδας.

Εγκατάσταση εσωτερικών μονάδων

1. Εισαγάγετε τα μπουλόνια ανάρτησης στο εξάρτημα του στηρίγματος αναρτήρα.
2. Τοποθετήστε τα παξιμάδια και τη ροδέλα και στις δύο πλευρές των μεταλλικών εξαρτημάτων.
3. Στερεώστε την με τα παξιμάδια.

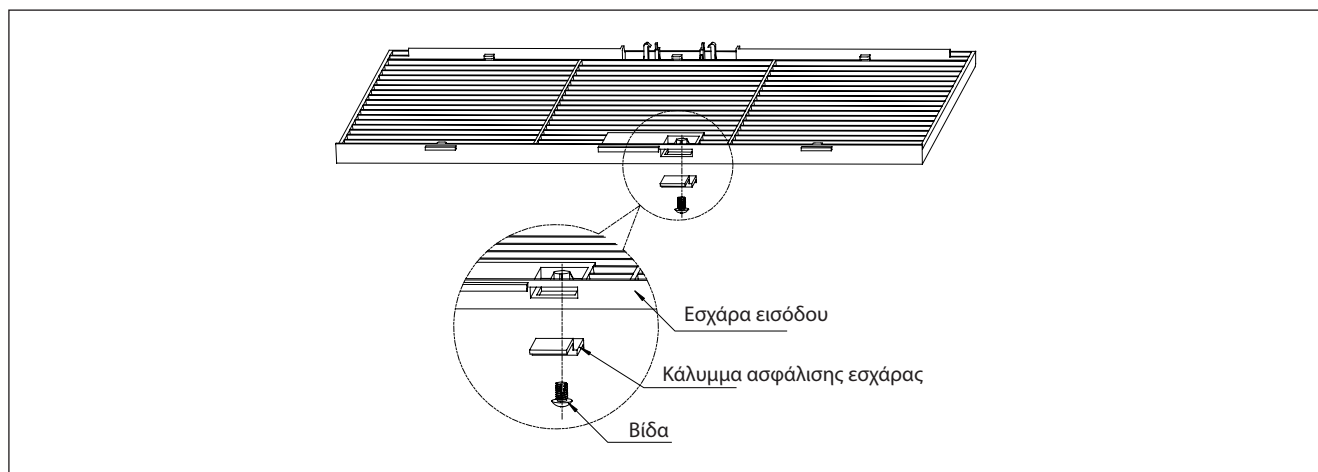
Τύπος εγκατάστασης οροφής



Εικόνα N

Κάλυμμα ασφάλισης εσχάρας (Το προστατευτικό κινητών μερών σε περίπτωση άμεσης επαφής με τον χρήστη)

Το κάλυμμα ασφάλισης εσχάρας πρέπει να εγκατασταθεί σύμφωνα με την παρακάτω εικόνα.



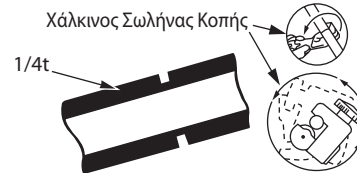
Εάν η μονάδα απαιτεί συντήρηση, ακολουθήστε τα παρακάτω βήματα:

1. Βεβαιωθείτε ότι η μονάδα είναι απενεργοποιημένη πριν από τη συντήρηση.
2. Χρησιμοποιήστε ένα κατσαβίδι για να ξεβιδώσετε τη βίδα που βρίσκεται στο κάλυμμα ασφάλισης εσχάρας.
3. Αφαιρέστε το κάλυμμα ασφάλισης εσχάρας και ανοίξτε την εσχάρα εισόδου για να προβείτε στη συντήρηση.
4. Τοποθετήστε την εσχάρα εισόδου, βιδώστε το κάλυμμα ασφάλισης εσχάρας μετά από τη συντήρηση και βεβαιωθείτε ότι η μονάδα είναι σωστά τοποθετημένη.

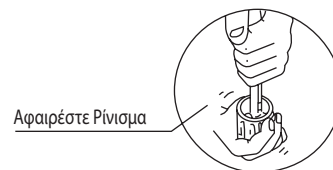
Εργασίες Σωληνώσεων και Τεχνική Εκκίνησης

- Μην χρησιμοποιείτε μολυσμένο ή κατεστραμμένο χάλκινο περίβλημα. Αν κάποιες σωληνώσεις, εξατμιστή ή συμπυκνωτή έχουν εκτεθεί ή ανοιχτεί για 15 δευτερόλεπτα ή παραπάνω, το σύστημα πρέπει να υποστεί κενό αέρος. Γενικώς, μην αφαιρείτε το πλαστικό, τα ελαστικά και τα μπρούντζινα παξιμάδια από τις βαλβίδες, τις σωληνώσεις και τα πηνία μέχρι να είναι έτοιμο να συνδέσει την αναρρόφηση ή τη γραμμή υγρού στις βαλβίδες ή τα εξαρτήματα.
- Αν απαιτείται συγκόλληση, σιγουρευτείτε ότι το νιτρογόνο αέριο περνά μέσα από πηνίο και συνδέσμους ενώ η συγκόλληση γίνεται. Αυτό θα εξαλείψει τη μορφοποίηση στο εσωτερικό των τοίχων των χάλκινων σωληνώσεων.
- Κόψτε το σωλήνα τμήμα-τμήμα, προχωρώντας τη λεπίδα του κοπτήρα του σωλήνα αργά. Ιδιαίτερη δύναμη και βαθύ κόψιμο θα προκαλέσει περισσότερη παραμόρφωση στο σωλήνα και συνεπώς έξτρα ρινίσμα. Δείτε Εικόνα I.
- Αφαιρέστε τα ρινίσματα από τις άκρες κοπής των σωλήνων με διαλυτικό όπως δείχνει η Εικόνα II. Έτσι θα αποφύγετε την ανομοιότητα στη φλόγα που θα προκαλούσε διαρροή αερίου. Κρατήστε το σωλήνα προς τα επάνω και το αφαιρετικό ρινίσματος κάτω για να μην μπουν τα μεταλλικά κομμάτια στο σωλήνα.
- Εισάγετε τα παξιμάδια, που είναι τοποθετημένα στα μέρη σύνδεσης τόσο της εσωτερικής όσο και της εξωτερικής μονάδας, μέσα στους σωλήνες χαλκού.
- Το ακριβές μήκος του σωλήνα που προεξέχει από την άνω επιφάνεια του επιβολέα καθορίζεται από το εργαλείο φλόγας. Ανατρέξτε στην Εικόνα III.
- Διορθώστε το σωλήνα σταθερά στον επιβολέα. Ταιριάξτε τα κέντρα τόσο του κύβου φλόγας όσο και του έμβολου φλόγας και μετά σφίξτε τελείως το έμβολο φλόγας.

Εικόνα I



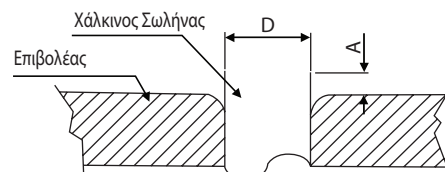
Εικόνα II



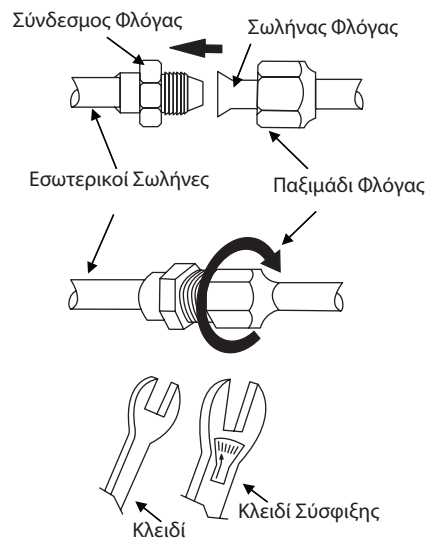
Σύνδεση Σωλήνων με τις Μονάδες

- Ευθυγραμμίστε το κέντρο του σωλήνα και σφίξτε ικανοποιητικά το παξιμάδι με τα δάχτυλα. Ανατρέξτε στην Εικόνα IV.
- Τέλος, σφίξτε το παξιμάδι φλόγας με το γαλλικό κλειδί μέχρι να κάνει κλικ.
- Όταν σφίγγετε το παξιμάδι φλόγας με το γαλλικό κλειδί, σιγουρευτείτε ότι η κατεύθυνση σφίξης ακολουθεί το βέλος που δείχνει το κλειδί.
- Η σύνδεση του σωλήνα ψύξης είναι μονωμένη με πολυουρεθάνη.

Εικόνα III



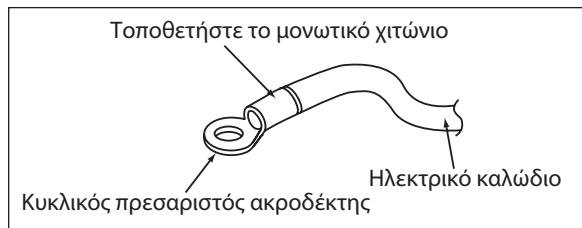
Εικόνα IV



Μέγεθος Σωλήνα (mm/in)	Ροπή (Nm/ft-lb)
6,35 (1/4")	18 (13,3")
9,52 (3/8")	42 (31,0")
12,70 (1/2")	55 (40,6")
15,88 (5/8")	65 (48,0")
19,05 (3/4")	78 (57,6")

Ø Σωλήνας, D		A (mm)	
Ίντσες	mm	Imperial (Τύπος Πεταλούδα)	Rigid (Τύπος Συμπλέκτη)
1/4"	6,35	1,3	0,7
3/8"	9,52	1,6	1,0
1/2"	12,70	1,9	1,3
5/8"	15,88	2,2	1,7
3/4"	19,05	2,5	2,0

- Όλα τα καλώδια πρέπει να είναι σταθερά συνδεδεμένα.
- Φροντίστε τα καλώδια να μην έρθουν σε επαφή με τις σωληνώσεις ψυκτικού, το συμπιεστή ή οποιαδήποτε κινούμενα μέρη.
- Τα καλώδια σύνδεσης ανάμεσα στην εσωτερική και την εξωτερική μονάδα πρέπει να τοποθετηθούν σφικτά μέσα στην παρεχόμενη αγκύρωση καλωδίου.
- Το καλώδιο τροφοδοσίας πρέπει να είναι ισοδύναμο με το H07RN-F που αποτελεί την ελάχιστη απαίτηση.
- Φροντίστε να μην ασκείται εξωτερική πίεση στους συνδέσμους και τα καλώδια ακροδεκτών.
- Φροντίστε όλα τα καλύμματα να είναι σωστά στερεωμένα για την αποφυγή κενού.
- Χρησιμοποιήστε έναν ακροδέκτη με δακτυλιοειδείς σιαγόνες για τη σύνδεση των καλωδίων στην πλακέτα ακροδεκτών τροφοδοσίας. Συνδέστε τα καλώδια αντιστοιχώντας την ένδειξη στην πλακέτα ακροδεκτών. (Ανατρέξτε στο διάγραμμα συνδεσμολογίας που συνοδεύει τη μονάδα).



- Χρησιμοποιήστε το σωστό κατσαβίδι για το σφίξιμο των βιδών των ακροδεκτών. Τα ακατάλληλα κατσαβίδια ενδέχεται να προκαλέσουν βλάβη στην κεφαλή της βίδας.
- Το υπερβολικό σφίξιμο ενδέχεται να προκαλέσει βλάβη στις βίδες των ακροδεκτών.
- Μη συνδέετε καλώδια διαφορετικού διαμετρήματος στον ίδιο ακροδέκτη.
- Διατηρείτε την καλωδίωση τακτοποιημένη. Μην επιτρέπετε στην καλωδίωση να εμποδίζει άλλα μέρη και το κάλυμμα του κουτιού ακροδεκτών.



ΕΙΔΙΚΕΣ ΠΡΟΦΥΛΑΞΕΙΣ ΟΤΑΝ ΧΡΗΣΙΜΟΠΟΙΕΙΤΕ ΤΗ ΜΟΝΑΔΑ R410A

R410A είναι ένα νέο ψυκτικό HFC το οποίο δεν καταστρέφει το στρώμα του όζοντος. Η πίεση εργασίας αυτού του νέου ψυκτικού είναι 1,6 φορές υψηλότερη από το συμβατικό ψυκτικό (R22), έτσι η κανονική εγκατάσταση / επισκευή είναι σημαντική.

- Ποτέ μην χρησιμοποιείτε ψυκτικό άλλο από το R410A σ'ένα κλιματιστικό το οποίο σχεδιάστηκε για να λειτουργεί με R410A.
- Το έλαιο POE ή PVE χρησιμοποιείται σαν λιπαντικό για το συμπιεστή R410A, που είναι διαφορετικό από το μεταλλικό έλαιο που χρησιμοποιείται για το συμπιεστή R22. Κατά την εγκατάσταση ή το σέρβις, πρέπει να ληφθεί ιδιαίτερη προσοχή ώστε το σύστημα R410A να μην εκτεθεί σε υγρό αέρα για μεγάλο χρονικό διάστημα. Το υπολειμματικό έλαιο POE ή PVE στις σωληνώσεις και τα εξαρτήματα μπορεί να απορροφήσει υγρασία από τον αέρα.
- Για να μην αποφορτιστεί, η διάμετρος της θύρας επισκευής στη βαλβίδα φλόγας είναι διαφορετική από αυτή του R22.

- Χρησιμοποιήστε εργαλεία και υλικά αποκλειστικά για ψυκτικό R410A. Εργαλεία αποκλειστικά για R410A είναι οι πολλαπλοί μετρητές ελέγχου, ο σωλήνας φόρτωσης, η βαλβίδα πίεσης, ο ανιχνευτής διαρροής αερίου, τα εργαλεία φλόγας, το κλειδί σύσφιξης, η αντλία κενού και ο ψυκτικός κύλινδρος.
- Καθώς ένα R410A βγάζει υψηλότερη πίεση από τις μονάδες R22, είναι σημαντικό να διαλέξετε τους χάλκινους σωλήνες σωστά. Ποτέ μη χρησιμοποιείτε χάλκινους σωλήνες λεπτότερους από 0,8mm ακόμη κι αν διατίθενται στην αγορά.
- Αν προκύψει διαρροή αερίου κατά την εγκατάσταση / επισκευή, σιγουρευτείτε ότι αερίζεται καλά. Αν το ψυκτικό αέριο έρχεται σε επαφή με τη φωτιά, μπορεί να προκύψει δηλητηριώδες αέριο.
- Όταν εγκαθιστάτε ή αφαιρείτε ένα κλιματιστικό, μην αφήνετε τον αέρα ή την υγρασία να παραμείνουν στον ψυκτικό κύκλο.

ΕΚΚ'ΕΝΩΣΗ ΚΑΙ ΠΛ'ΗΡΩΣΗ

Το κενό αέρος είναι απαραίτητο για να εξαλειφθεί όλη η υγρασία και ο αέρας από το σύστημα.

Σκουπίζοντας το Σωλήνα και την Εσωτερική Μονάδα

Η εσωτερική μονάδα και οι ψυκτικοί σωλήνες σύνδεσης πρέπει να είναι καθαρισμένοι με αέρα επειδή ο αέρας που περιέχει υγρασία η οποία μένει στον κύκλο ψύξης μπορεί να προκαλέσει δυσλειτουργία στο συμπυκνωτή.

- Αφαιρέστε τα καπάκια από τη βαλβίδα και τη θύρα επισκευής.
- Συνδέστε το κέντρο του μετρητή φόρτισης στην αντλία κενού.
- το μετρητή φόρτισης με τη θύρα επισκευής της 3-οδης βαλβίδας.

- Ξεκινήστε την αντλία κενού. Εκκενώστε για περίπου 30 λεπτά. Ο χρόνος εκκένωσης ποικίλλει ανάλογα με την απόδοση της αντλίας κενού. Επιβεβαιώστε ότι η βελόνα του μετρητή φόρτισης κινήθηκε εμπρός -760mmHg.

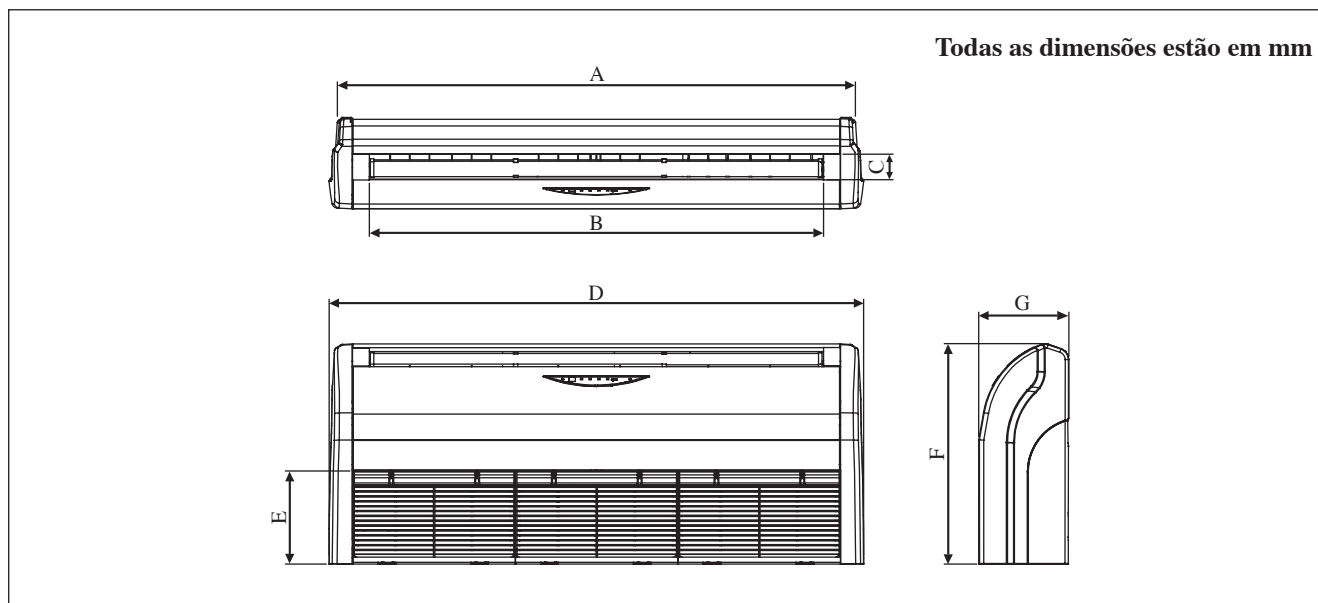
Προσοχή

- Αν η βελόνα του μετρητή δεν κινηθεί προς -760mmHg, σιγουρευτείτε ότι ελέγξατε για διαρροές αερίου (χρησιμοποιώντας τον ανιχνευτή ψυκτικού) σε σύνδεση τύπου φλόγας της εσωτερικής και εξωτερικής μονάδας και επισκευάστε τη διαρροή πριν συνεχίσετε στο επόμενο βήμα.
- Κλείστε τη βαλβίδα του μετρητή φόρτισης σταματήστε την αντλία κενού.

ΣΗΜΕΙΩΣΕΙΣ

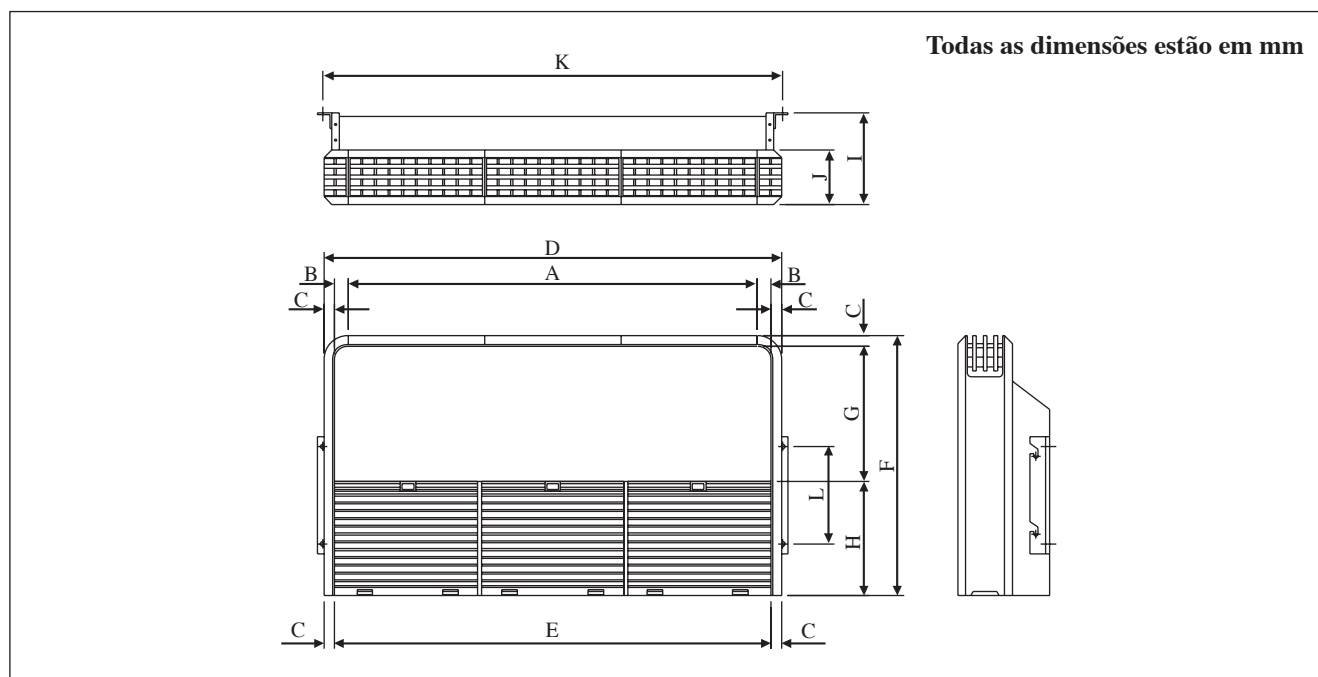
ESBOÇO E DIMENSÕES

Unidade interior AHQ71/100/125CV1



Dimensões Modelo	A	B	C	D	E	F	G
AHQ71CV1	1272	1088	74	1320	268	635	259
AHQ100CV1	1490	1308	74	1538	268	635	259
AHQ125CV1	1738	1556	74	1786	268	635	259

Unidade interior AHQ140CV1



Dimensões Modelo	A	B	C	D	E	F	G	H	I	J	K	L
AHQ140CV1	1750	40	36	1903	1830	680	352	292	285	140	1880	250

MANUAL DE INSTALAÇÃO

Este manual fornece os procedimentos de instalação para assegurar um bom padrão de funcionamento e seguro para a unidade de ar condicionado.

Pode ser necessário um ajuste especial para adaptação aos requisitos locais.

Antes de utilizar o seu ar condicionado, por favor leia este manual de instruções cuidadosamente e guarde para futura referência.

Este aparelho é destinado ao uso por perito ou usuários treinados em lojas, nas indústrias leves e em fazendas agrícolas, ou para uso comercial por leigos.

Este aparelho não se destina a utilização por pessoas (incluindo crianças) com limitações das capacidades físicas, sensoriais ou mentais, ou com falta de experiência ou de conhecimentos, salvo se sob supervisão ou formação adequadas relativamente à utilização do aparelho, facultadas por alguém responsável pela segurança dessas pessoas.

As crianças devem ser supervisionadas, para que não haja possibilidade de brincarem com o aparelho.





PRECAUÇÕES DE SEGURANÇA

AVISO

- A instalação e manutenção deve ser executada por pessoas qualificadas que estejam familiarizadas com o código local e regulamento, e tenham experiência com este tipo de aparelhos.
- Todas as ligações devem ser feitas de acordo com o regulamento nacional para ligações eléctricas.
- Assegure-se que a voltagem nominal da unidade corresponde à que consta no nome da placa iniciando o trabalho eléctrico de acordo com o diagrama de ligação eléctrica.
- A unidade deve ter LIGAÇÃO TERRA para evitar possíveis perigos devidos a falha de isolamento.
- Todas as ligação eléctricas não devem tocar na tubagem de refrigeração, nem em qualquer das partes em movimento dos motores da ventoinha.
- Confirme que a unidade foi DESLIGADA antes de ser instalada ou fazer a manutenção.
- Desligue da principal fonte de energia antes de fazer manutenção à unidade de ar condicionado.
- NÃO puxe o cabo de energia quando a energia estiver LIGADA. Isto pode provocar graves choques eléctricos que podem resultar em perigosos incêndios.
- Mantenha as unidades interior e exterior, cabo de energia e ligações de transmissão, afastadas pelo menos 1m de TVs e rádios, para evitar imagens distorcidas e estática. {Dependendo do tipo e fonte das ondas eléctricas, a estática pode ser escutada mesmo a mais de 1m de distância}.

CUIDADO

Por favor tome nota dos seguintes pontos importantes ao instalar.

- **Não instale a unidade onde possa ocorrer fuga de gás inflamável.**
 Em caso de fuga de gás e este se acumular à volta da unidade, pode provocar incêndio.
- **Certifique-se que a tubagem de drenagem está adequadamente ligada.**
 Se a tubagem de drenagem não estiver ligada correctamente, pode provocar fuga de água que irá molhar a mobília.
- **Não sobrecarregar a unidade.**
 Esta unidade é precarregada de fábrica.
A sobrecarga causará uma sobrecorrente ou danos no compressor.
- **Assegure-se que o painel da unidade está fechado após a manutenção ou instalação.**
 Painéis inseguros causarão ruído no funcionamento da unidade.
- **Cantos afiados e as superfícies da bobina são locais potenciais que podem provocar o perigo de lesões.**
Evite entrar em contacto com estes locais.
- **Antes de desligar a fonte de energia, defina o interruptor ON/OFF do controlo remoto para a posição "OFF" para evitar o disparo perturbador da unidade.** Se isto não for feito, as ventoinhas da unidade poderão iniciar automaticamente quando a energia for reiniciada, colocando em perigo o pessoal de serviço ou o utilizador.
- **Não coloque em funcionamento nenhum aparelho de aquecimento demasiado perto da unidade de ar condicionado.** Isto pode originar a deformação do painel de plástico devido ao calor excessivo.
- **Não instale a unidade na porta ou perto da mesma.**
- **Não coloque a funcionar nenhum aparelho de calor demasiado perto da unidade de Ar Condicionado nem a coloque numa divisão onde existam óleos minerais, fumos de óleo ou vapores de óleo, tal poderá levar a que as partes de plástico se derretam ou se deformem resultado do calor excessivo ou de reacção química.**
- **Quando a unidade for utilizada numa cozinha, mantenha a farinha afastada para que não entre para o dispositivo de sucção.**
- **Esta unidade não é apropriada para utilização em fábricas onde exista vapor de óleo ou pó de ferro ou onde se verifique grandes variações de voltagem.**
- **Não instale a unidade em áreas tais como fontes termais ou refinarias de óleo onde possa existir gás sulfídrico.**
- **Certifique-se de que a cor dos fios da unidade exterior e as marcas dos terminais correspondem às da unidade interior, respectivamente.**
- **IMPORTANTE : NÃO INSTALE OU USE A UNIDADE DE AR CONDICIONADO NUMA LAVANDARIA.**
- **Não utilize fios juntos e torcidos para a entrada da fonte de energia.**
- **Evite contacto directo de quaisquer agentes de limpeza para tratamento da bobina nas peças de plástico. Isto pode originar a deformação das peças de plástico devido a uma reacção química.**
- **Para quaisquer questões sobre peças sobresselentes, por favor contacte o seu fornecedor autorizado.**
- **O equipamento não se destina a ser utilizado numa atmosfera potencialmente explosiva.**

AVISO

Requisitos de Eliminação

O seu produto de ar condicionado encontra-se assinalado com este símbolo. Isto significa que os produtos eléctricos e electrónicos não serão misturados com resíduos domésticos comuns.

Não tente desmontar o sistema sozinho. A tarefa de desmontar o sistema de ar condicionado, tratamento do refrigerante, do óleo e das demais peças deve ser efectuado por um técnico de instalação devidamente qualificado de acordo com a legislação local e nacional relevante.

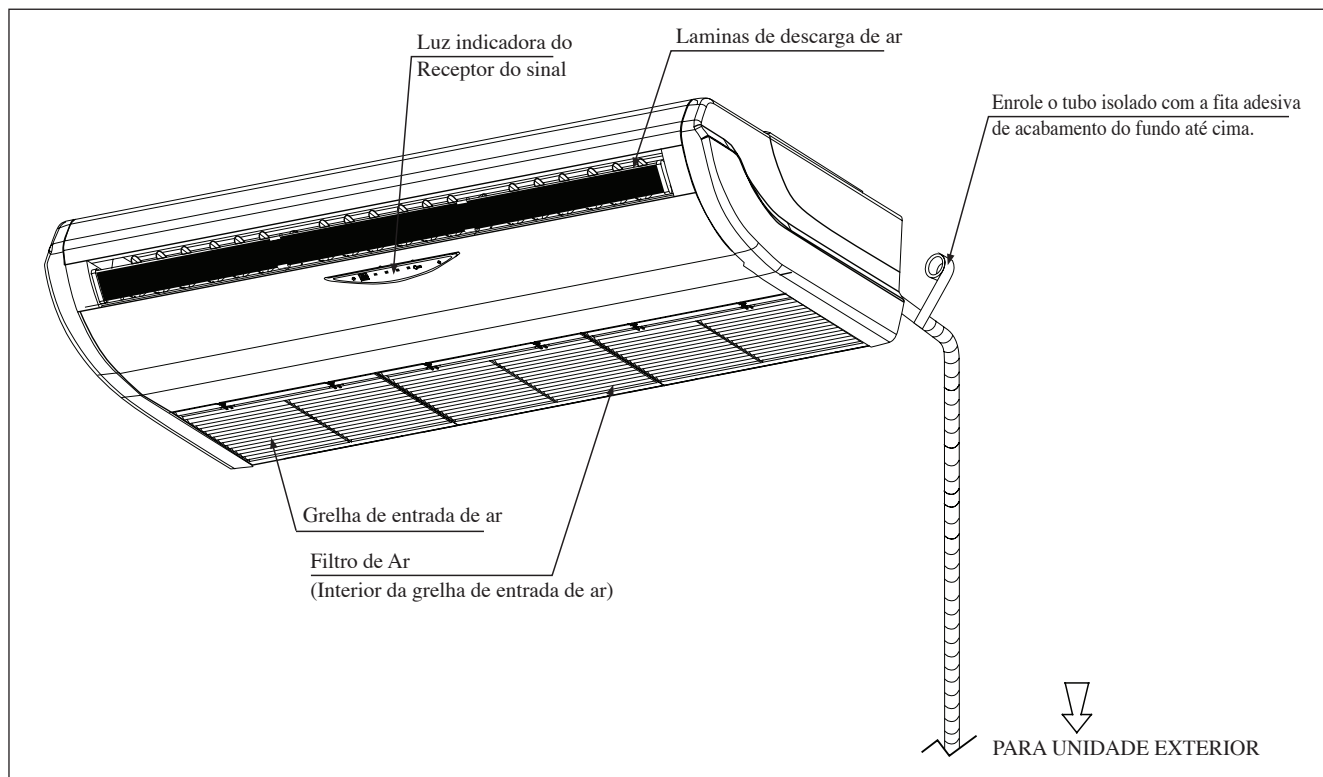
As unidades de ar condicionado devem ser tratadas numa instalação de tratamento especializada para reutilização, reciclagem e recuperação.

Ao assegurar que este produto é eliminado correctamente, ajudará a prevenir quaisquer consequências negativas para o ambiente e a saúde humana. Contacte o técnico de instalação ou as autoridades locais para obter mais informações.

Retire as pilhas do controlo remoto e elimine-as separadamente de acordo com a legislação local e nacional relevante.



DIAGRAMA DE INSTALAÇÃO (AHQ71/100/125CV1)



INSTALAÇÃO DA UNIDADE INTERIOR (AHQ71/100/125CV1)

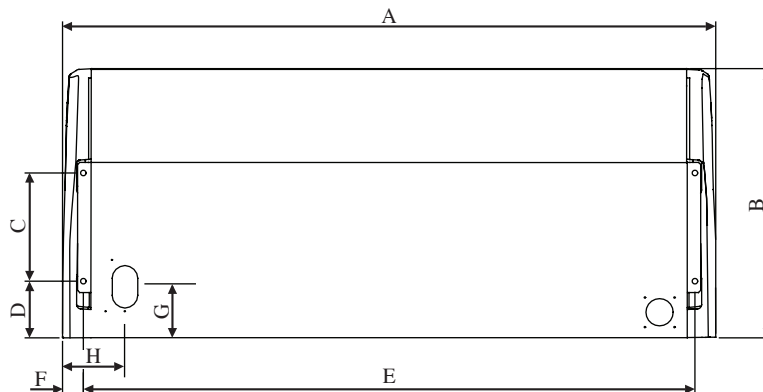
Inspeção preliminar do local

- A flutuação da voltagem fornecida não deve exceder $\pm 10\%$ da voltagem nominal. As linhas de fornecimento de electricidade devem ser independentes do transformador de soldagem que pode originar um elevado grau de flutuações no fornecimento.
- Certifique-se de que a localização é conveniente para a cablagem, tubagem e drenagem.

Montagem padrão

Certifique-se de que os suportes aéreos são suficientes fortes e resistentes para suportar o peso da unidade. Posicione as varetas de fixação (suporte de montagem na parede para unidades suspensas sobre o chão) e certifique-se de que estão devidamente alinhadas com a unidade conforme apresentado na Figura A. Certifique-se igualmente de que as varetas de fixação estão seguras e que a base da unidade de bobina de ventoinha estão nivelada em ambas as direcções horizontais, tendo em conta o gradiente para o fluxo de drenagem conforme recomendado na Figura B.

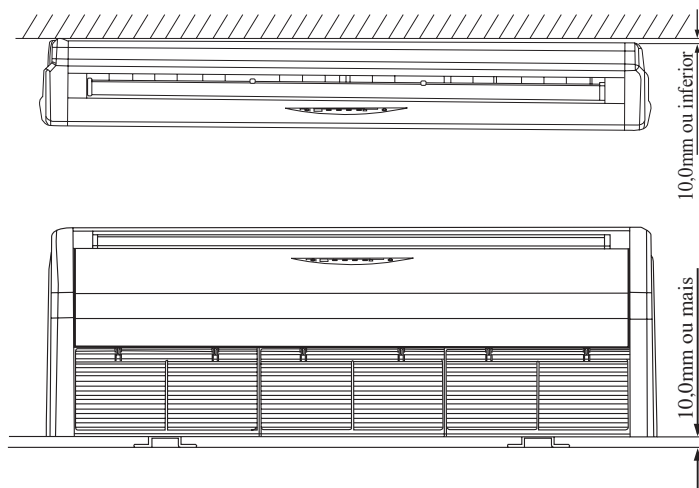
Figura A



Todas as dimensões estão em mm

Dimensões	A	B	C	D	E	F	G	H
AHQ71CV1	1320	635	255	134	1222	49	148	120
AHQ100CV1	1538	635	255	134	1440	49	148	120
AHQ125CV1	1786	635	255	134	1688	49	148	120

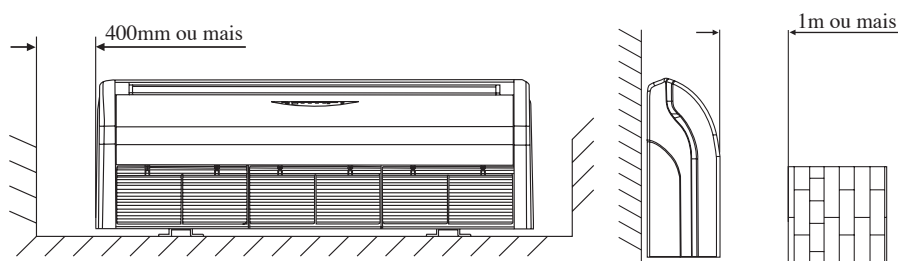
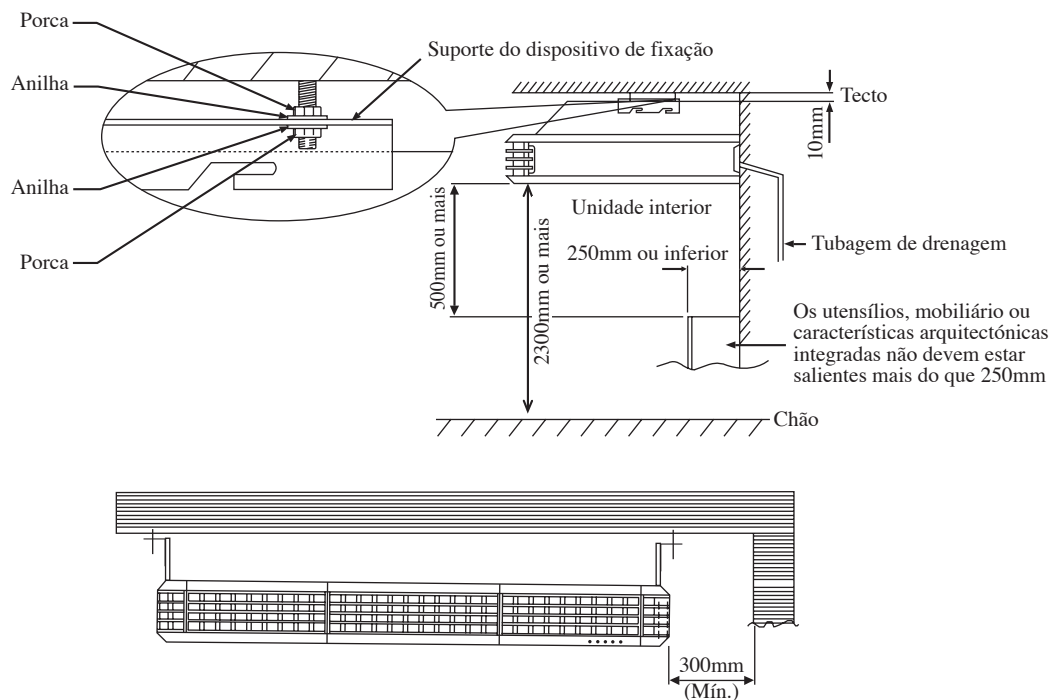
Figura B



Certifique-se de que os seguintes passos são tomados:

- A instalação da unidade deve estar inclinada pelo menos 10mm conforme recomendado na Figura B.
- O declive do tubo de drenagem será mantido pelo menos 1:100.
- Disponibilize espaço para uma fácil manutenção e para um óptimo fluxo de ar conforme apresentado na Figura C.
- A unidade interior deve ser instalada de maneira a que não haja nenhum curto-circuito do ar da descarga de refrigeração com o retorno de ar quente.
- Não coloque a unidade interior onde a luz solar directa incida na mesma. A localização deve ser adequada para a instalação da tubagem e da drenagem. A unidade deve estar a uma enorme distância da porta.

Figura C



Unidade de tipo suspensa sobre o chão

INSTALAÇÃO DEBAIXO DO TECTO (AHQ71/100/125CV1)

Instalar parafusos de suspensão

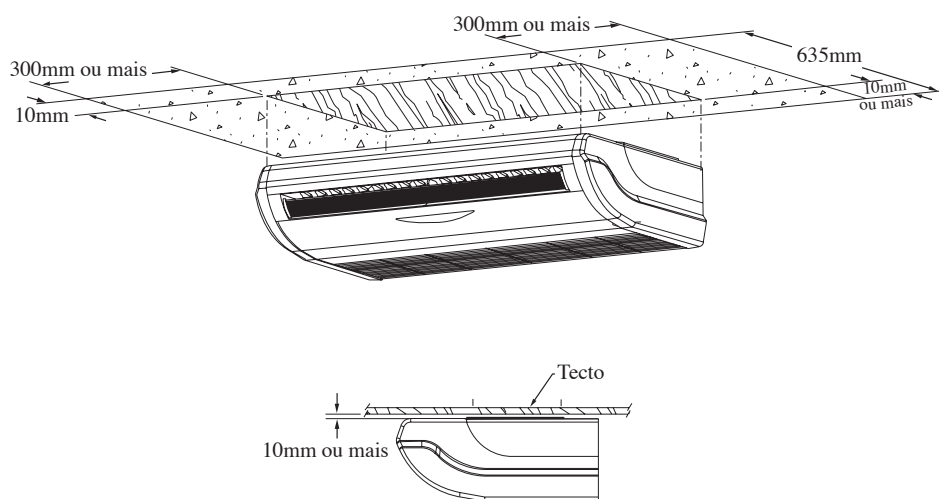
1. Instale os parafusos de suspensão de maneira a suportar a unidade interior.
2. Ajuste a distância ao tecto antes da instalação.
3. Consulte as dimensões fornecidas para instalar a unidade.

Instalar unidades interiores

1. Insira os parafusos de suspensão nos encaixes do suporte de fixação.
2. Coloque as porcas e anilhas em ambos os lados dos encaixes metálicos.
3. Fixe com as porcas.

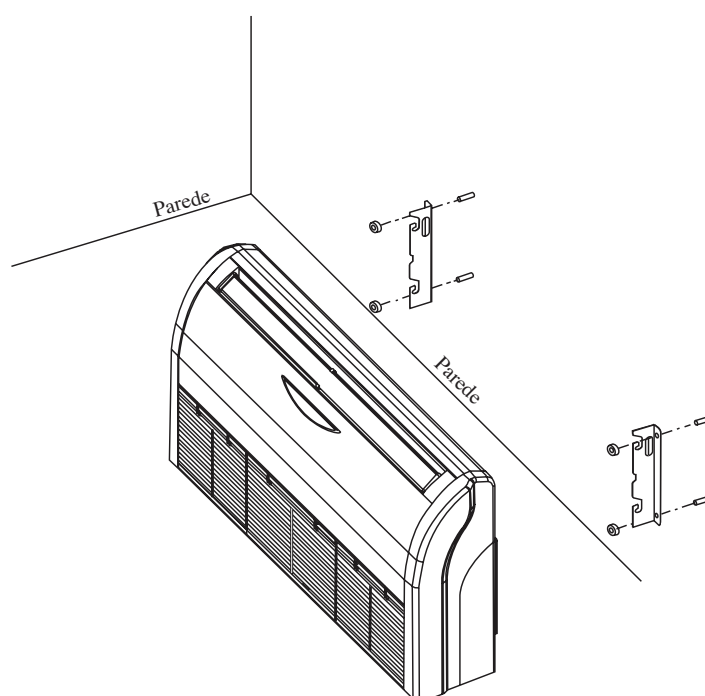
Instalação da unidade de tipo tecto

Figura D



Instalação da unidade de tipo chão

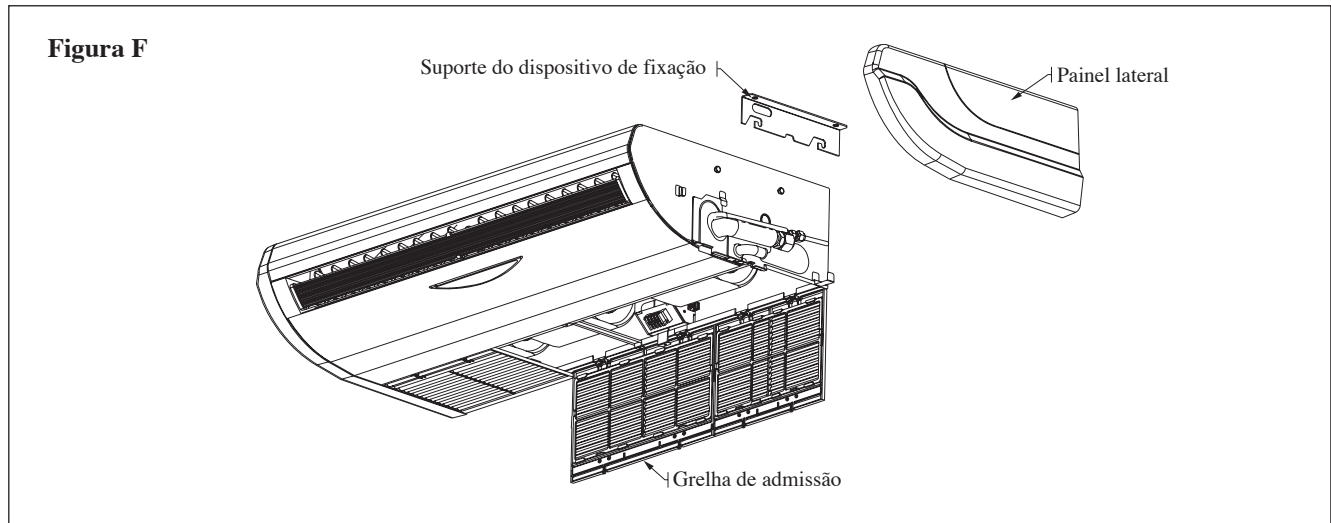
Figura E



Instalação – Unidade de tipo tecto exposto

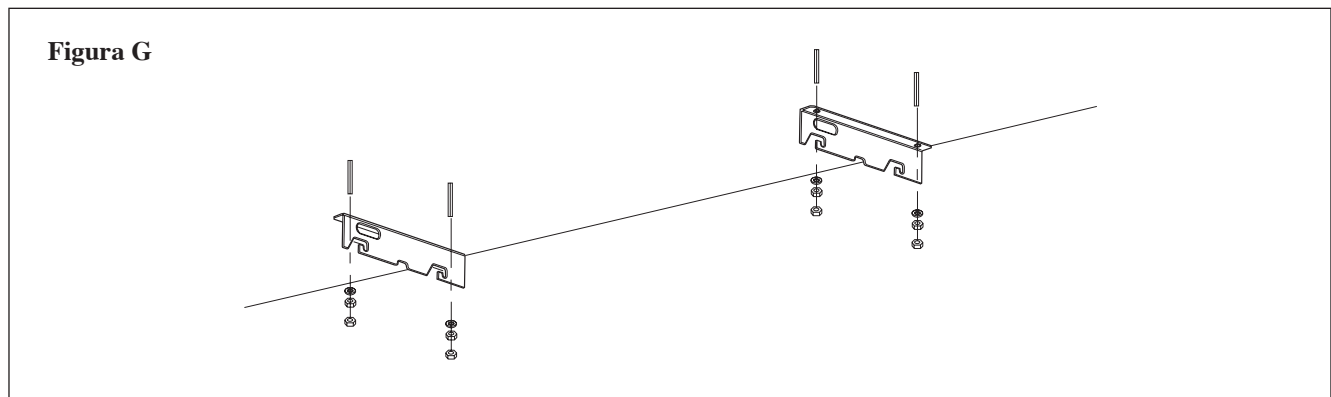
1. Etapa

Remova a grelha de entrada de ar, painel lateral e suporte de fixação da unidade. Consulte a Figura F.



2. Etapa

Posicione a vareta de fixação conforme apresentado na Figura G e instale o suporte de fixação.



3. Etapa

Pendure a unidade e aperte os parafusos após a instalação da tubagem e da tubagem de drenagem. Consulte a Figura H. Por último, instale a grelha de entrada e o painel lateral na suas devidas posições. Consulte a Figura I.

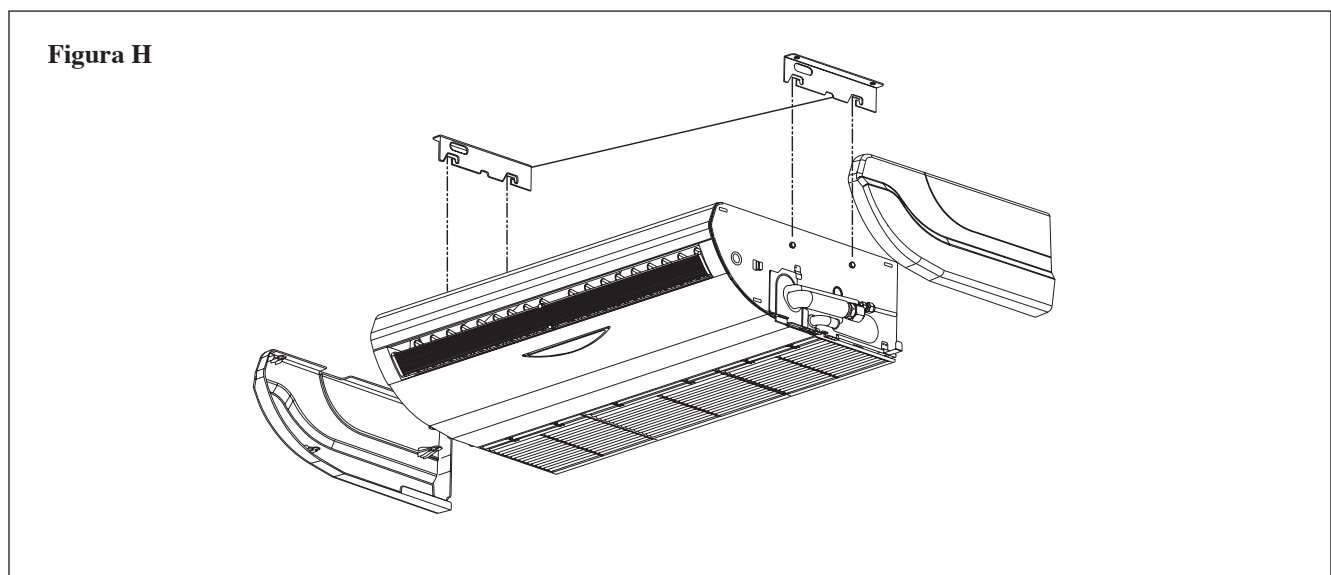
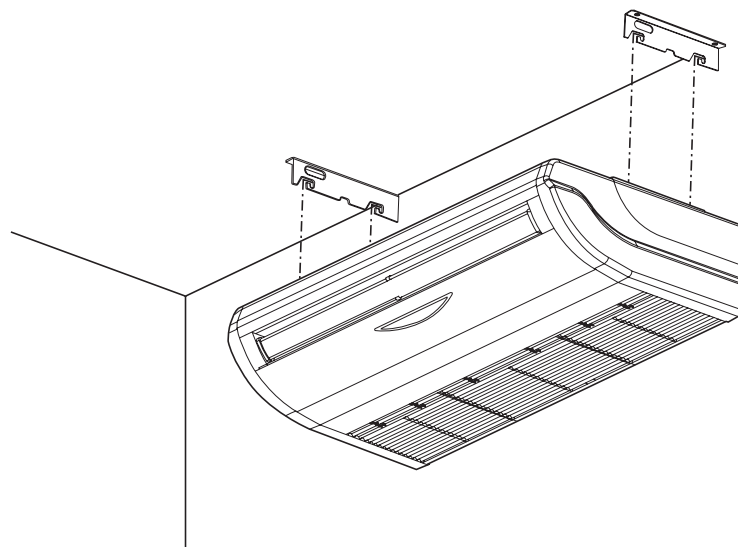
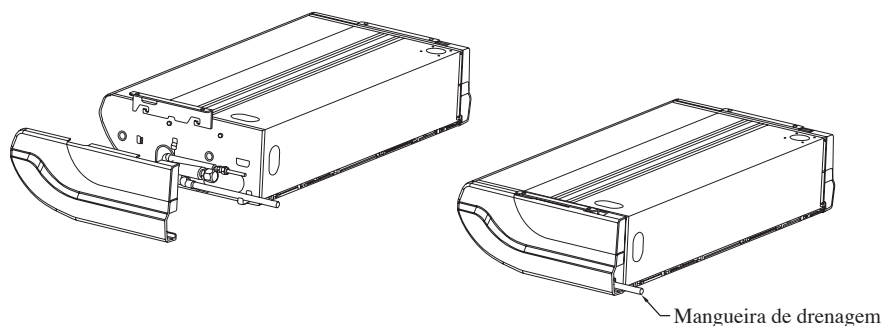


Figura I



Instalação da tubagem e da mangueira de drenagem

Figura J



Passos para abrir a grelha de entrada

1. Desaperte o parafuso encaixado na grelha de fecho do bloqueio com uma chave de fendas.
2. Remova a grelha de fecho do bloqueio e desbloqueie o fecho da grelha.
3. Consulte a Figura K para fins de referência.

Figura K

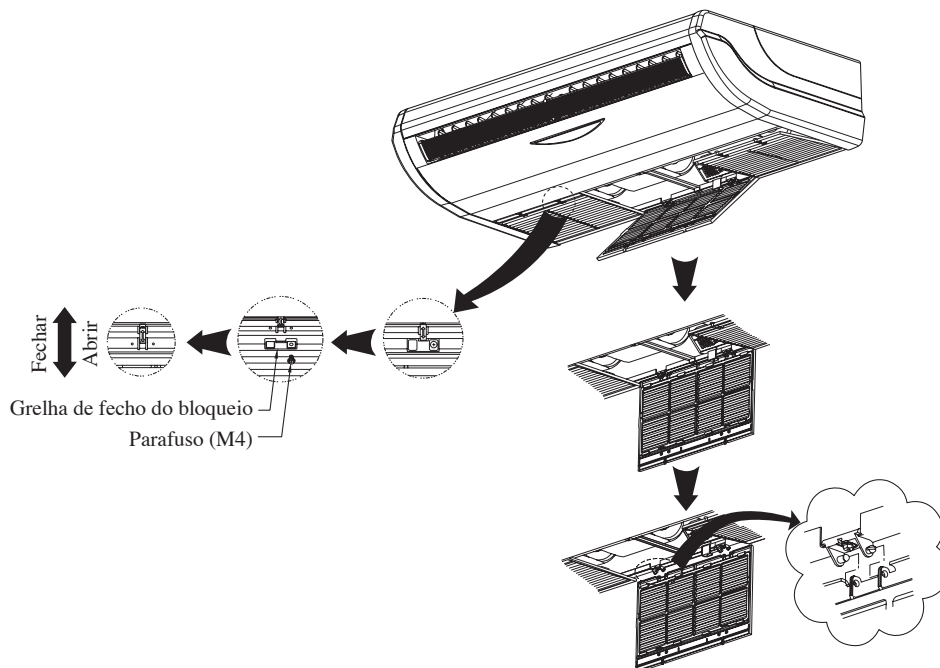
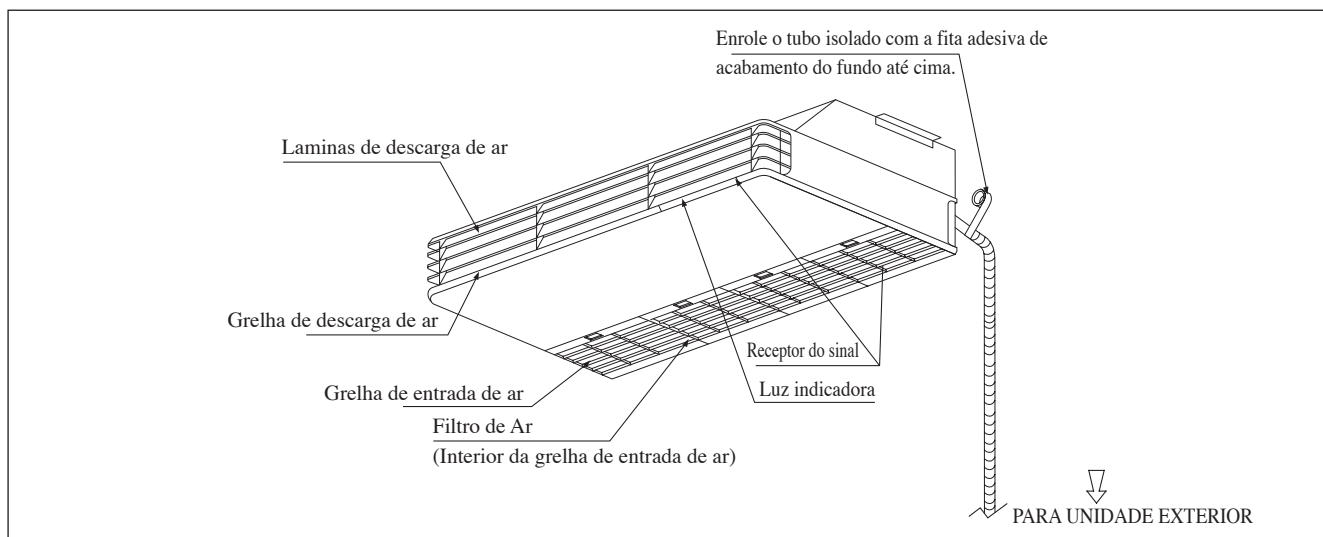


DIAGRAMA DE INSTALAÇÃO (AHQ140CV1)



INSTALAÇÃO DA UNIDADE INTERIOR (AHQ140CV1)

Inspeção preliminar do local

- A flutuação da voltagem fornecida não deve exceder $\pm 10\%$ da voltagem nominal. As linhas de fornecimento de electricidade devem ser independentes dos transformadores de soldagem que podem originar um elevado grau de flutuação no fornecimento.
- Certifique-se de que a localização da instalação é conveniente para a cablagem e drenagem.

Montagem padrão

Certifique-se de que os suportes aéreos são suficientes fortes e resistentes para suportar o peso da unidade. Posicione as varetas de fixação e certifique-se de que estão devidamente alinhadas com a unidade. Certifique-se igualmente de que as varetas de fixação estão seguras.

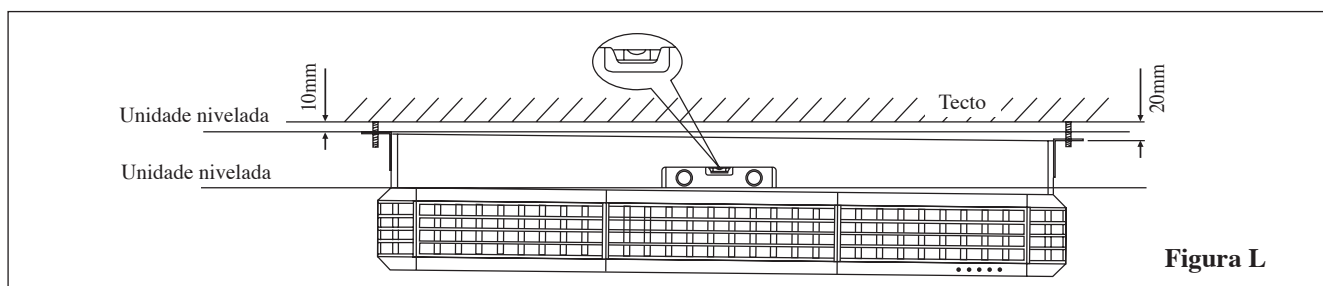


Figura L

Certifique-se de que os seguintes passos são tomados:

- A instalação da unidade deve ser inclinada/angulada pelo menos 10mm conforme recomendado na Figura L.
- O declive do tubo de drenagem será mantido pelo menos 1:100.
- Disponibilize espaço para uma fácil manutenção e para um óptimo fluxo de ar conforme apresentado na Figura M.
- A unidade interior deve ser instalada de maneira a que não haja nenhum curto-circuito do ar da descarga de refrigeração com o retorno de ar quente.
- Não coloque a unidade interior onde a luz solar directa incida na mesma. A localização deve ser adequada para a instalação da tubagem e da drenagem. A unidade deve estar a uma enorme distância da porta.

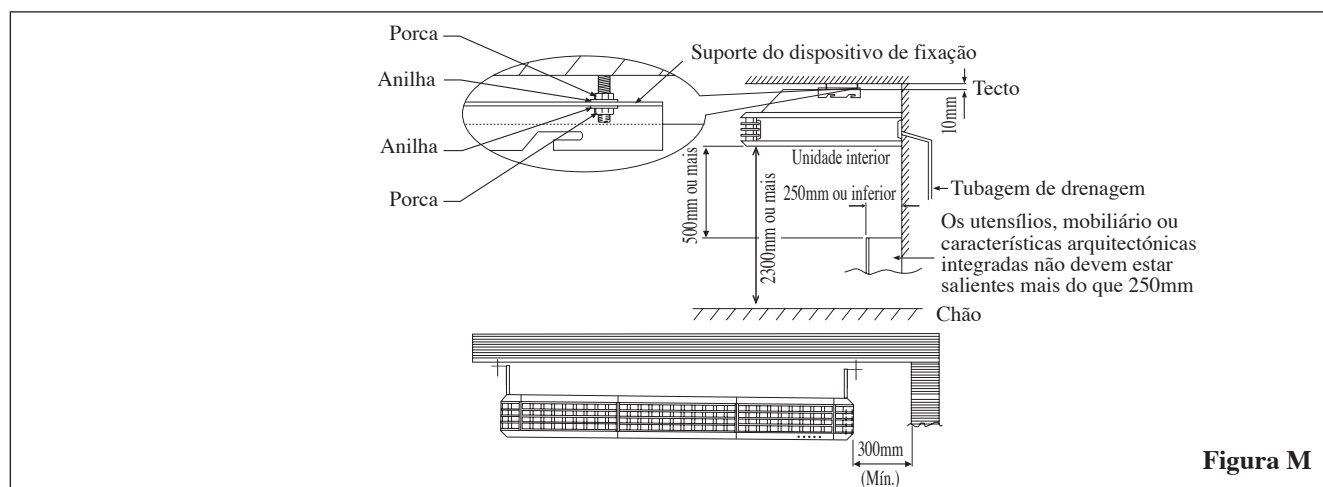


Figura M

INSTALAÇÃO DEBAIXO DO TECTO (AHQ140CV1)

Instalar parafusos de suspensão

1. Instale os parafusos de suspensão de maneira a suportar a unidade interior.
2. Ajuste a distância ao tecto antes da instalação.
3. Consulte as dimensões fornecidas na Figura N para instalar a unidade.

Instalar unidades interiores

1. Insira os parafusos de suspensão no encaixe do suporte de fixação.
2. Coloque as porcas e anilhas em ambos os lados dos encaixes metálicos.
3. Fixe com as porcas.

Instalação da unidade de tipo tecto

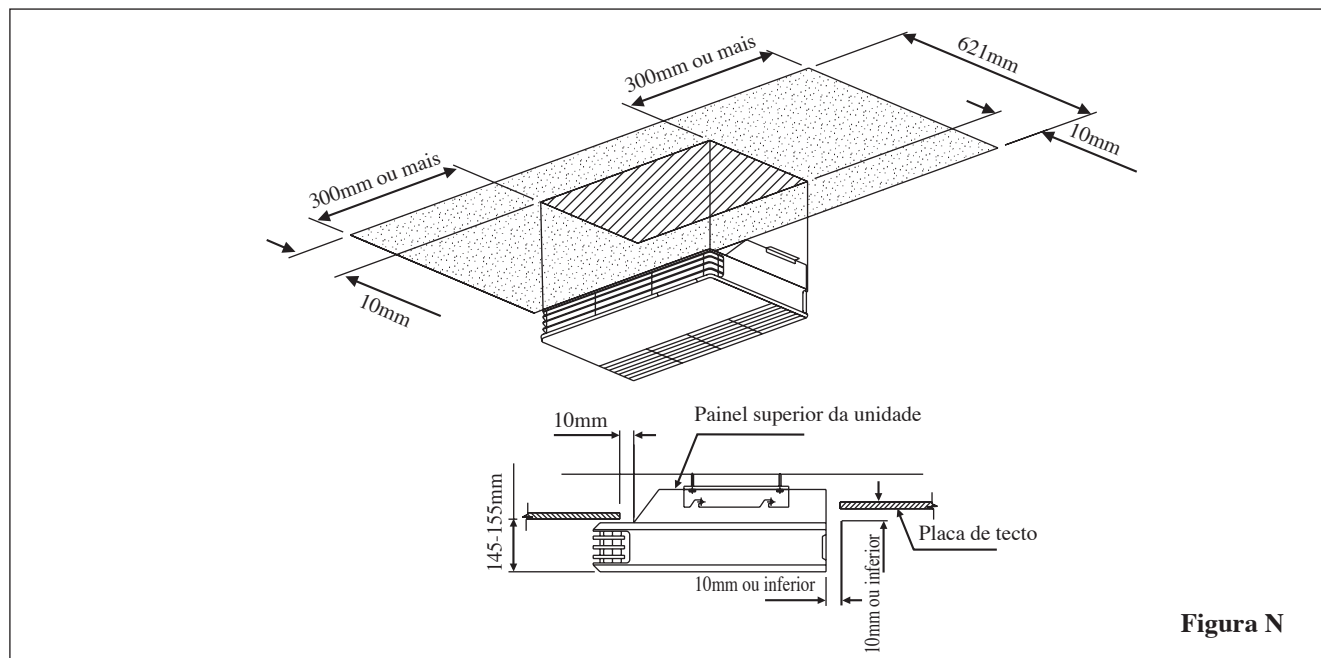
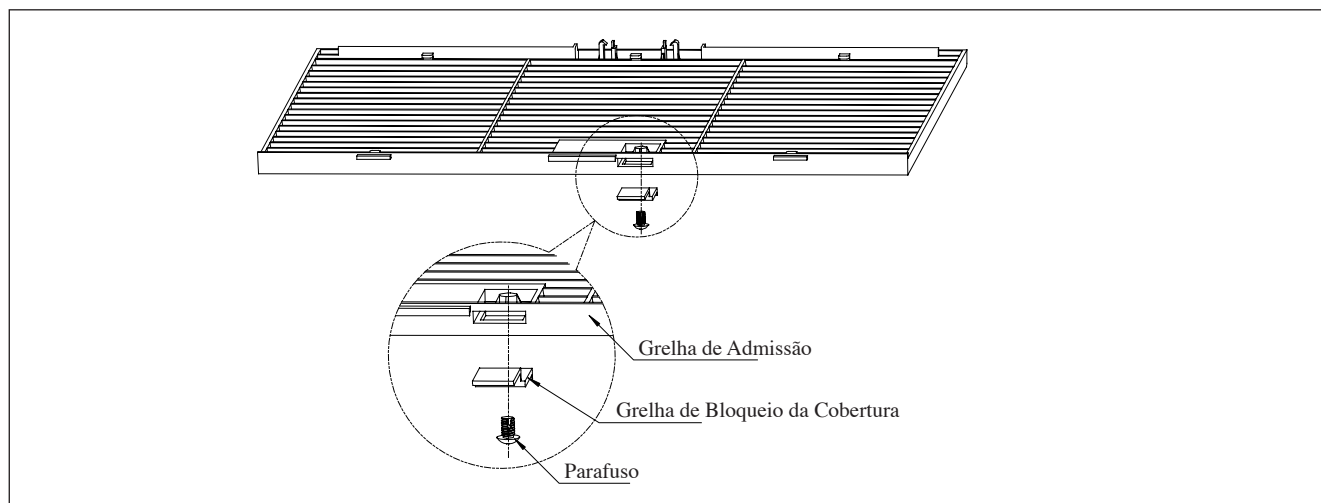


Figura N

Grelha de Bloqueio de Cobertura (A protecção de peça amovível para toque directo do utilizador)

A grelha de bloqueio de cobertura deve instalar-se conforme a imagem abaixo.



Se a unidade necessitar de manutenção, devem seguir-se os passos abaixo:

1. Confirme que a unidade foi desligada antes de fazer a manutenção.
2. Utilize uma chave de parafusos para desbloquear o parafuso na grelha de bloqueio de cobertura.
3. Retire a grelha de bloqueio de cobertura e abra a grelha de admissão para fazer a manutenção.
4. Instale a grelha de manutenção e aparafuse a grelha de bloqueio de cobertura após a manutenção e certifique-se que a unidade está devidamente instalada.

Trabalhos da tubagem e técnica de alargamento

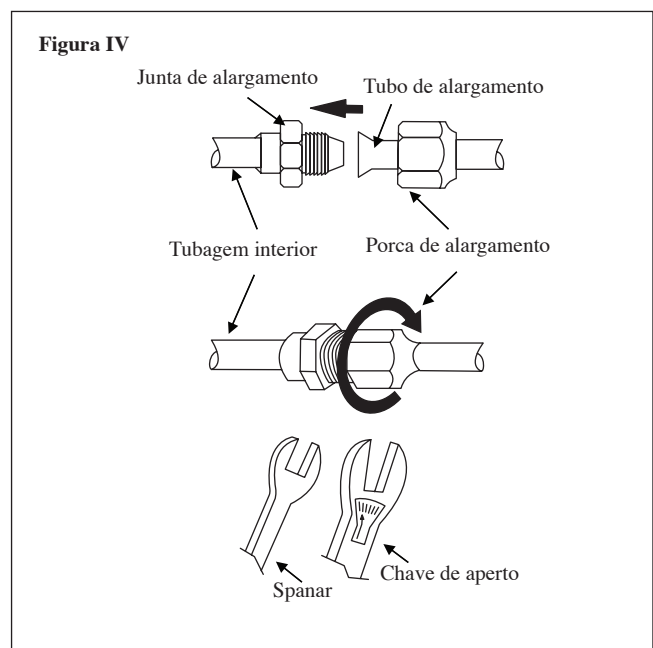
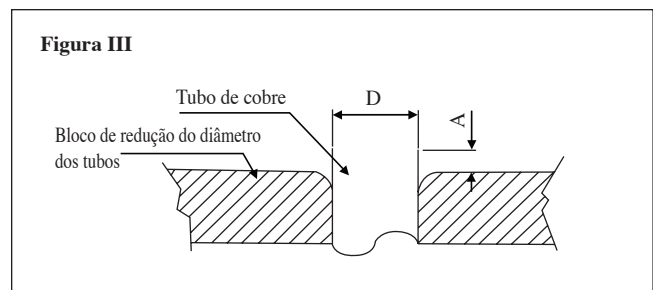
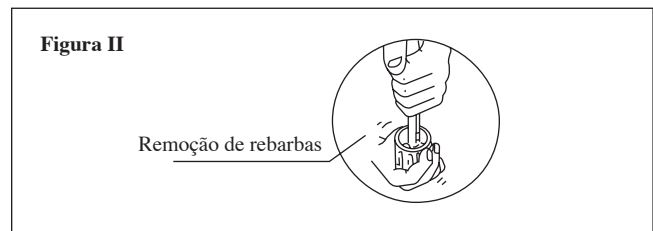
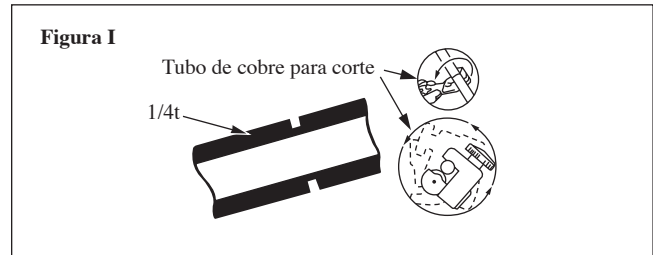
- Não utilizar tubagem de cobre contaminada ou danificada. Se qualquer um dos tubos, evaporador ou condensador foi exposto ou aberto durante 15 segundos ou mais, o sistema deve ser aspirado. De uma maneira geral, não retire as porcas de plástico, buchas de borracha e porcas de metal das válvulas, encaixes, tubos e bobinas até estar preparado para ligar a linha de sucção ou líquida às válvulas ou aos encaixes.
- Se for necessário algum trabalho de soldadura forte, assegure-se de que o gás de nitrogénio passou através da bobina e das juntas enquanto o trabalho de soldadura forte estiver a ser feito. Isto eliminará a formação de fuligem nas paredes do interior dos tubos de cobre.
- Corte o tubo de um modo faseado, avançando devagar com a lâmina da ferramenta de corte de tubos. A força excessiva e o corte profundo causarão mais distorção no tubo e também mais bordas com rebarbas. Ver Figura I.
- Remova as bordas com rebarbas das margens que sofreram o corte dos tubos com a ferramenta de remoção conforme apresentado na Figura II. Isto evitará a desnivelação das faces do alargamento que causará fuga de gás. Segure pelo tubo na posição superior e na ferramenta de remoção de rebarbas na posição inferior para evitar que lascas de metal entrem no tubo.
- Insira as porcas do alargamento, montadas nas peças de ligação das unidades interior e exterior, na tubagem de cobre.
- O comprimento exacto da protrusão da tubagem desde a superfície superior do bloco de redução do diâmetro dos tubos é determinado pela ferramenta de alargamento. Consultar a Figura III.
- Encaixe o tubo com força no bloco de redução do diâmetro dos tubos. Faça corresponder os centros da matriz do alargamento e do corte do alargamento, e depois aperte este totalmente.

Ligação da tubagem às unidades

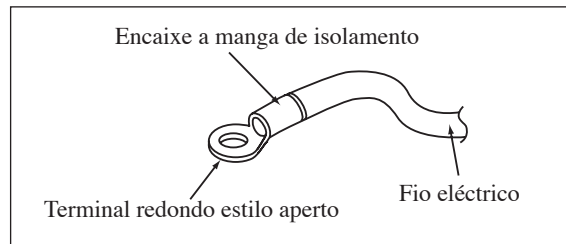
- Alinhe o centro da tubagem e aperte a porca do alargamento o bastante com os dedos. Consultar a Figura IV.
- No fim, aperte a porca do alargamento com a chave de aperto até ficar fixada.
- Quando apertar a porca de alargamento com a chave de aperto, assegure-se de que a direcção de aperto segue a seta indicada na chave.
- A ligação do tubo do refrigerante é isolada por uma célula em poliuretano fechada.

Tamanho do tubo (mm/pol)	Aperto (Nm/pés-lb)
6,35 (1/4")	18 (13,3")
9,52 (3/8")	42 (31,0")
12,70 (1/2")	55 (40,6")
15,88 (5/8")	65 (48,0")
19,05 (3/4")	78 (57,6")

Ø Tubo, D		A (mm)	
Pol.	mm	Imperial (Tipo porca borboleta)	Rígido (Tipo dentado)
1/4"	6,35	1,3	0,7
3/8"	9,52	1,6	1,0
1/2"	12,70	1,9	1,3
5/8"	15,88	2,2	1,7
3/4"	19,05	2,5	2,0



- Todos os fios devem estar firmemente ligados.
- Certifique-se de que nenhum dos fios não toca nas tubagens de refrigerante, compressor ou quaisquer peças móveis.
- O fio de ligação entre a unidade interior e a unidade exterior devem ser grampeadas utilizando o dispositivo de ancoragem do cabo fornecido.
- O cabo de alimentação deve ser equivalente a H07RN-F, que é o requisito mínimo.
- Certifique-se de que não é aplicada nenhuma pressão externa sobre os conectores dos terminais e fios.
- Certifique-se de que todas as coberturas estão devidamente fixadas para evitar qualquer folga.
- Use um terminal redondo de estilo de engaste para ligar os fios de ligação ao bloco de terminais de fornecimento. Ligue os fios estabelecendo a correspondência com a indicação no bloco de terminais. (Consulte o diagrama de cablagem encaixado na unidade).



- Use a chave de fendas correctas para apertar os parafusos do bloco de terminais. O uso de chaves de parafusos inadequadas pode danificar a cabeça do parafuso.
- O aperto excessivo pode danificar o parafuso do terminal.
- Não ligue o fio de calibre diferente ao mesmo terminal.
- Mantenha a cablagem devidamente ordenada. Impeça a cablagem de obstruir outras peças e a tampa da caixa do bloco de terminais.



PRECAUÇÕES ESPECIAIS QUANDO LIDAR COM A UNIDADE R410A

O R410A é um novo refrigerante HFC que não provoca danos na camada de ozono. A pressão de trabalho deste novo refrigerante é 1,6 vezes maior que o refrigerante convencional (R22), por isso é essencial uma instalação / manutenção correctas.

- Nunca utilize outro refrigerante sem ser o R410A num sistema de ar condicionado que foi concebido para trabalhar com o R410A.
- O óleo POE ou PVE como lubrificante para o compressor R410A, que é diferente do óleo mineral usado para o compressor R22. Durante a instalação ou manutenção deve ter precauções extra para não expor o sistema R410A demasiado tempo ao ar húmido. Óleo POE ou PVE residual na tubagem e componentes pode absorver humidade do ar.
- Para evitar uma descarga incorrecta, o diâmetro da porta de manutenção na válvula de alargamento é diferente do R22.

- Utilize ferramentas e materiais exclusivos para o refrigerante R410A. As ferramentas exclusivas para o R410A são a válvula de distribuição, a mangueira de descarga, o manómetro, o detector de fugas de gás, as ferramentas de aperto, a bomba de aspiração e o cilindro do refrigerante.
- Como num sistema de ar condicionado R410A a pressão é mais alta que a das unidades R22, é essencial escolher os tubos de cobre correctamente. Nunca utilize tubos de cobre mais finos que 0,8 mm mesmo se estiverem disponíveis à venda.
- Se a fuga de gás do refrigerante ocorrer durante a instalação / manutenção, certifique-se de que há ventilação total. Se o gás do refrigerante entrar em contacto com fogo, pode ser libertado gás tóxico.
- Quando instalar ou retirar um sistema de ar condicionado, não deixe que o ar ou a humidade permaneçam no ciclo do refrigerante.

VÁCUO E CARREGAMENTO

É necessário aspirar para eliminar toda a humidade e o ar do sistema.

Aspirar a tubagem e a unidade interior

A unidade interior e os tubos de ligação do refrigerante devem ser purgados do ar porque o ar que contém humidade que permanece no ciclo do refrigerante pode causar o mau funcionamento do compressor.

- Retire as tampas da válvula e da porta de manutenção.
- Ligue o centro do manómetro de carga à bomba de aspiração.
- Ligue o manómetro à porta de manutenção da válvula de 3 vias.

- Inicie a bomba de aspiração. Evacue durante aproximadamente 30 minutos. O tempo de evacuação varia com a diferente capacidade da bomba de aspiração. Confirme que a agulha do manómetro de carga se moveu para -760mmHg.

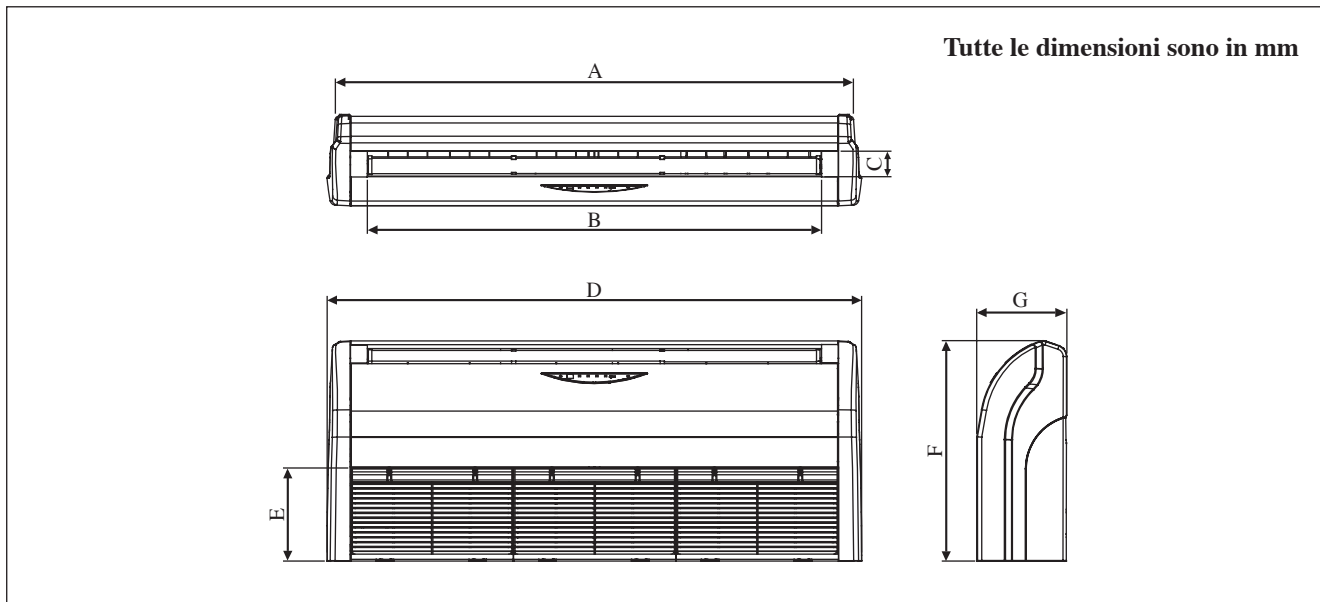
Cuidado

- Se a agulha do manómetro não se move para -760mmHg, certifique-se de que verifica fugas de gás (utilizando o detector do refrigerante) na ligação de alargamento das unidades interior e exterior e que repara a fuga antes de proceder para o próximo passo.
- Feche a válvula do manómetro de carga e pare a bomba de aspiração.

MEMO

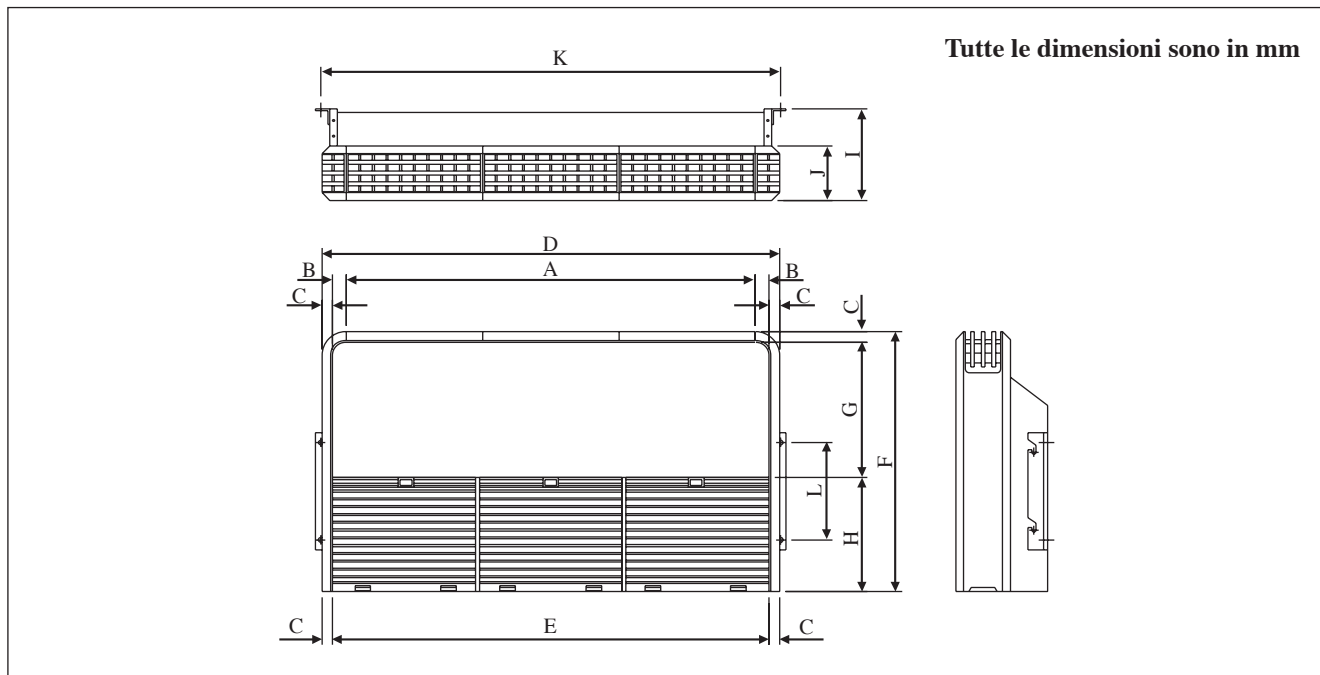
DISEGNI E DIMENSIONI

Unità Interna AHQ71/100/125CV1



Dimensioni Modello	A	B	C	D	E	F	G
AHQ71CV1	1272	1088	74	1320	268	635	259
AHQ100CV1	1490	1308	74	1538	268	635	259
AHQ125CV1	1738	1556	74	1786	268	635	259

Unità Interna AHQ140CV1



Dimensioni Modello	A	B	C	D	E	F	G	H	I	J	K	L
AHQ140CV1	1750	40	36	1903	1830	680	352	292	285	140	1880	250

MANUALE D'INSTALLAZIONE

Il presente manuale descrive come procedere all'installazione del condizionatore per assicurarne il corretto funzionamento in condizioni di sicurezza.

Degli adattamenti possono rivelarsi necessari per rispondere a particolari esigenze locali.

Prima di utilizzare il condizionatore, leggere attentamente le presenti istruzioni. Conservarle per ogni evenienza futura.

Questo apparecchio è destinato all'uso da parte di persone esperte o formate in negozi, nell'industria leggera o in aziende agricole o all'uso commerciale da parte di persone non addette.

Il presente apparecchio non è destinato all'uso da parte di persone, inclusi bambini, con ridotte capacità fisiche, sensoriali o mentali, o senza la dovuta esperienza e conoscenza, a meno che non vengano poste sotto la supervisione di una persona responsabile della loro sicurezza o che tale persona fornisca loro le istruzioni per l'uso dell'apparecchio.

Tenere i bambini sotto la supervisione di un adulto per evitare che giochino con l'apparecchio.






NORME DI SICUREZZA

AVVERTENZA

- L'installazione e la manutenzione devono essere eseguite da personale qualificato, competente in questo genere di apparecchi e al corrente delle leggi e regolamenti in vigore.
- Tutti gli allacciamenti elettrici devono essere eseguiti conformemente alla regolamentazione elettrica in vigore.
- Prima di procedere agli allacciamenti secondo lo schema elettrico presentato più avanti, accertarsi che il voltaggio dell'apparecchio corrisponda a quello della rete.
- Dotare il condizionatore di una presa di TERRA al fine di prevenire i rischi originati da eventuali deficienze del sistema di isolamento.
- Evitare che i fili elettrici tocchino le tubazioni frigorifere o un qualsiasi organo rotante dei motori del ventilatore.
- Prima di installare il condizionatore o di procedere ad interventi di manutenzione, accertarsi che sia spento (OFF).
- Togliete sempre la corrente prima di effettuare la manutenzione del condizionatore.
- NON rimuovere il cavo di alimentazione quando il condizionatore è acceso. Questo può causare seri shock elettrici e pericolo d'incendio.
- Mantenere l'unità interna e quella esterna, il cavo di alimentazione e il cablaggio di trasmissione ad almeno 1m di distanza da TV e radio, per evitare immagini distorte e scariche statiche. {A seconda del tipo e sorgente di onde elettriche, si possono sentire scariche statiche anche a più di 1m di distanza}.

CAUTELA

Durante l'installazione, verificare accuratamente i punti seguenti.

- **Non procedere all'installazione in luoghi dove possano verificarsi fughe di gas.**
 Pericolo d'incendio in caso di fughe o di concentrazioni di gas intorno al condizionatore.
- **Verificare che i condotti di drenaggio siano stati correttamente installati.**
 Un'installazione incorretta può causare delle perdite d'acqua e danneggiare il mobilio.
- **Non sovraccaricare il condizionatore.**
 L'apparecchio è precaricato in fabbrica.
 Qualsiasi sovraccarico provoca una sovracorrente e può danneggiare il compressore.
- **Dopo l'installazione o gli interventi di manutenzione accertarsi di rimettere a posto il pannello di chiusura.**
 Una difettosa chiusura del pannello è causa di rumori durante il funzionamento.
- **I bordi affilati e le superfici della serpentina sono possibili aree che possono causare pericolo di lesioni.**
Evitare di entrare in contatto con tali aree.
- **Prima di spegnere l'apparecchio, impostare l'interruttore ON/OFF del telecomando sulla posizione "OFF" in modo da evitare l'apertura nociva dell'unità.** In caso contrario, le ventole dell'unità iniziano a ruotare automaticamente quando si riaccende l'apparecchio, causando pericoli di lesioni al personale di servizio ed agli utenti.
- **Non utilizzare apparecchiature di riscaldamento nelle immediate vicinanze del condizionatore.** L'eccessivo calore potrebbe danneggiare o deformare il pannello in plastica.
- **Non installare le unità sul vano della porta o nelle sue vicinanze.**
- **Non mettere in funzione apparecchi per il riscaldamento troppo vicini al condizionatore d'aria o non utilizzare l'unità in un ambiente in cui sono presenti olio minerale o vapori da olio, ciò potrebbe provocare la fusione o la deformazione della plastica a seguito del calore eccessivo o di una reazione chimica.**
- **Quando l'unità è utilizzata in cucina, tenere la farina lontana in modo da evitare che l'unità la aspiri.**
- **Questa unità non è idonea all'utilizzo in stabilimenti dove sono presenti nebbie di olio da taglio o polveri metalliche o dove c'è una forte oscillazione di tensione.**
- **Non installare le unità in aree quali le sorgenti calde o le raffinerie petrolifere in cui è presente gas solforoso.**
- **Accertarsi che i colori dei fili dell'unità esterna corrispondano ai contrassegni dei morsetti dell'unità interna.**
- **IMPORTANTE: NON INSTALLARE O UTILIZZARE IL CONDIZIONATORE D'ARIA IN UNA ZONA LAVANDERIA.**
- **Non usare fili congiunti e intrecciati per l'alimentazione in ingresso.**
- **Evitare il contatto diretto di detersivi per il trattamento della bobina con parti in plastica. La parte in plastica potrebbe deformarsi come conseguenza della reazione chimica.**
- **Per richieste di pezzi di ricambio, contattare il rivenditore autorizzato.**
- **L'apparecchio non è destinato all'uso in un ambiente potenzialmente esplosivo.**

AVVISO

Specifiche di smaltimento

Il climatizzatore è contrassegnato con questo simbolo, Ciò significa che i prodotti elettrici ed elettronici non possono essere smaltiti insieme ai rifiuti domestici non differenziati.

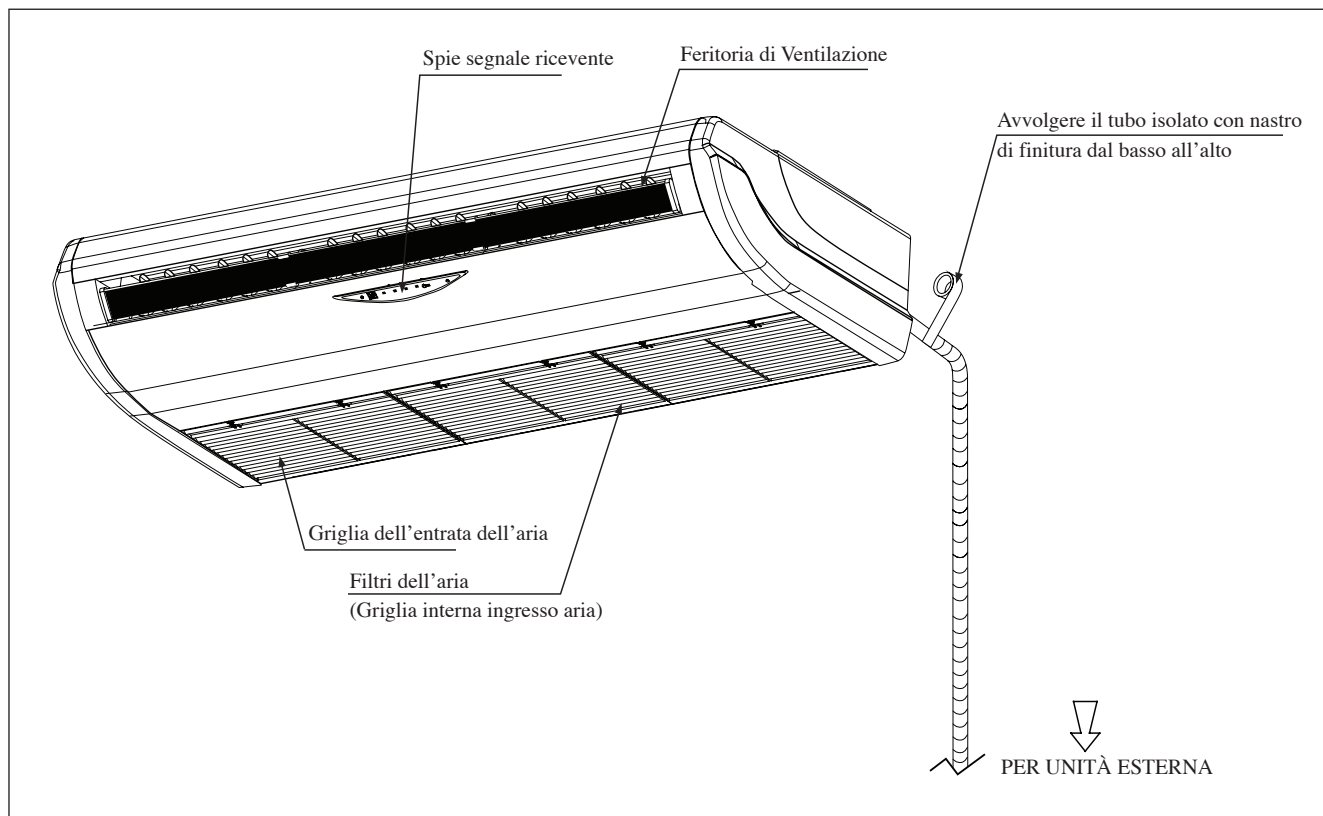
Non cercare di demolire il sistema da soli: la demolizione del sistema di condizionamento, nonché il recupero del refrigerante, dell'olio e di qualsiasi altra parte devono essere eseguiti da un installatore qualificato in conformità alla legislazione locale e nazionale vigente in materia.

I climatizzatori devono essere trattati presso una struttura specializzata nel riutilizzo, riciclaggio e recupero dei materiali. Il corretto smaltimento del prodotto eviterà le possibili conseguenze negative all'ambiente e alla salute dell'uomo. Per maggiori informazioni contattare l'installatore o le autorità locali.

Le batterie devono essere tolte dal telecomando e smaltite separatamente conformemente alla legislazione locale e nazionale vigente in materia.



DIAGRAMMA PER L'INSTALLAZIONE (AHQ71/100/125CV1)



INSTALLAZIONE DELL'UNITÀ INTERNA (AHQ71/100/125CV1)

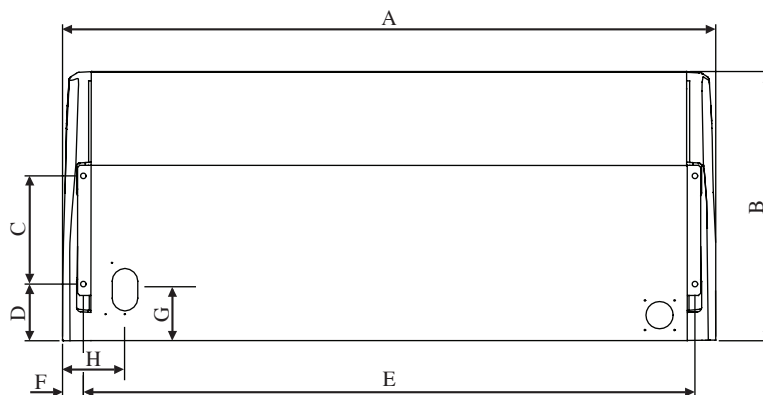
Verifiche Preliminari

- Le fluttuazioni del voltaggio di alimentazione non devono scostarsi dal voltaggio nominale di più del $\pm 10\%$. Sulle linee elettriche di alimentazione non devono essere inseriti eventuali trasformatori da saldatura che per natura tendono a provocare delle alte fluttuazioni nel voltaggio.
- Verificare che la posizione sia idonea ad ospitare collegamenti, tubi e scarico.

Montaggio standard

Accertarsi che i supporti superiori siano abbastanza resistenti da sopportare il peso dell'unità. Installare le barre di sospensione (i supporti per il montaggio a muro per i modelli a pavimento verticale), e verificarne l'allineamento con l'unità, come mostrato nella Figura A. Controllare inoltre che le sospensioni siano fissate in maniera sicura e che l'unità fan coil sia a livello in entrambe le direzioni orizzontali, tenendo conto del gradiente del flusso di scarico indicato nella Figura B.

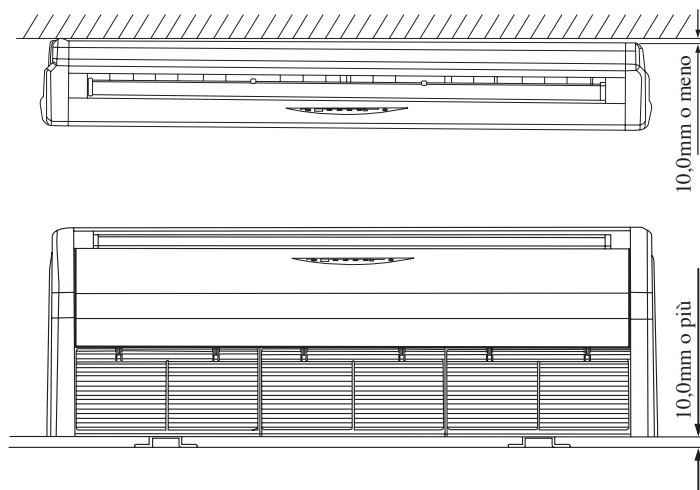
Figura A



Tutte le dimensioni sono in mm

Dimensioni	A	B	C	D	E	F	G	H
Modello AHQ71CV1	1320	635	255	134	1222	49	148	120
Modello AHQ100CV1	1538	635	255	134	1440	49	148	120
Modello AHQ125CV1	1786	635	255	134	1688	49	148	120

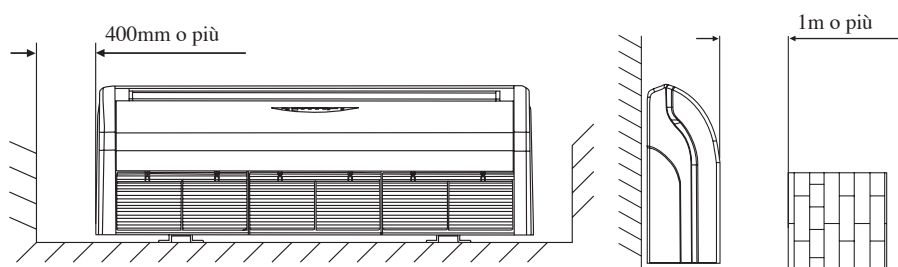
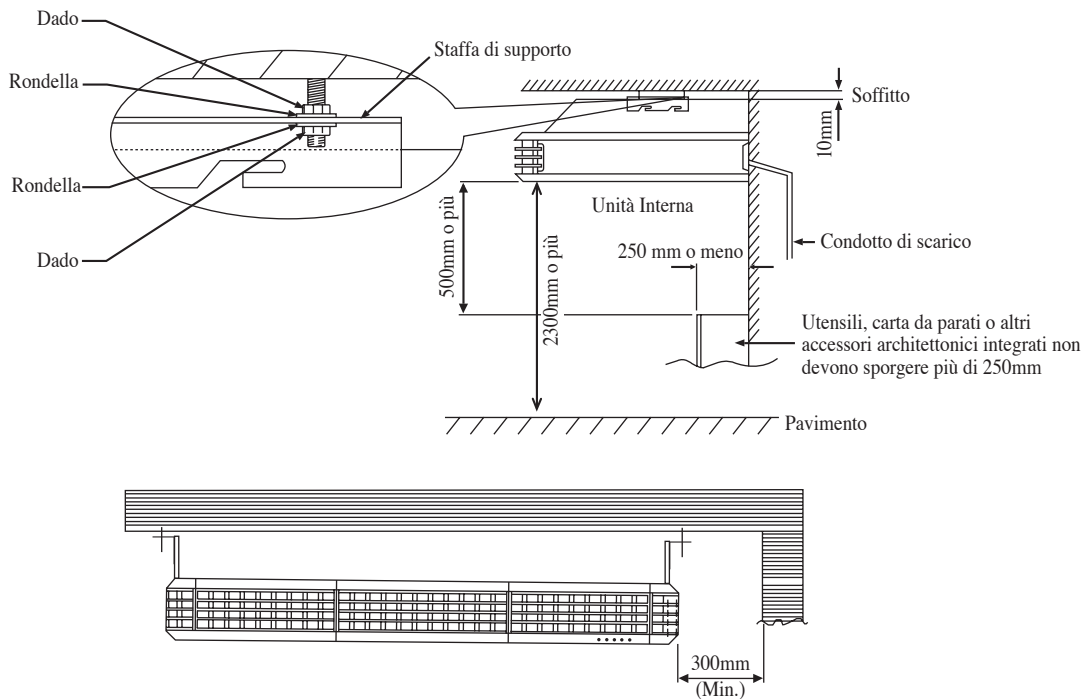
Figura B



Accertarsi di effettuare le seguenti operazioni:

- L'unità dovrebbe essere installata inclinandola di almeno 10mm, secondo quanto raccomandato nella Figura B.
- La pendenza del condotto di scarico deve essere tenuta almeno a un rapporto di 1:100.
- Installare l'impianto a una distanza adeguata per svolgere facilmente le procedure di assistenza e manutenzione e assicurare un flusso d'aria ottimale, come indicato nella Figura C.
- L'unità interna deve essere installata in maniera tale che non vi siano cortocircuiti tra l'aria scaricata fredda e l'aria di riflusso calda.
- Non installare l'unità interna nei luoghi soggetti alla luce diretta del sole. Il luogo di installazione deve essere adatto per l'inserimento delle tubature e lo scarico. Sistemare l'unità molto lontano dalla porta.

Figura C



Tipo a pavimento verticale

INSTALLAZIONE SOTTO TETTO (AHQ71/100/125CV1)

Installare i Bulloni di Sospensione

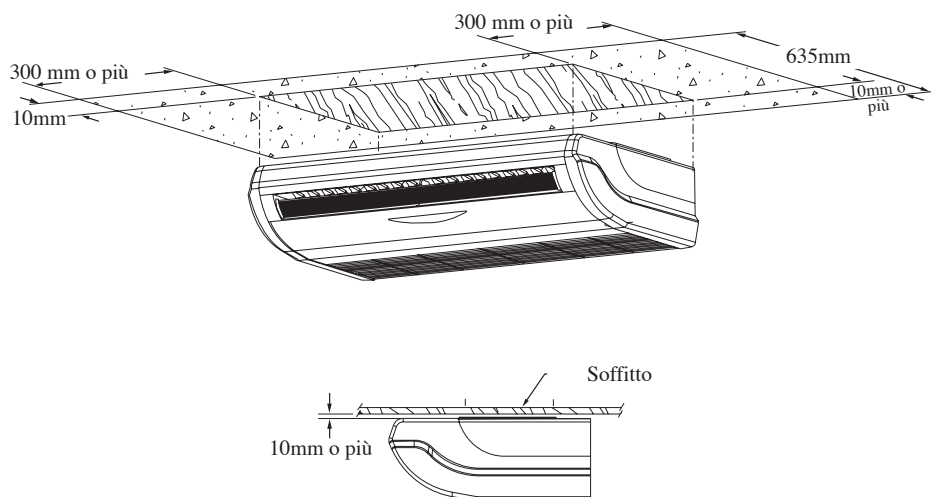
1. Installare i bulloni di sospensione in modo da supportare l'unità interna.
2. Prima dell'installazione, regolare la distanza dal soffitto.
3. Per installare l'unità, fare riferimento alle dimensioni fornite.

Installare le Unità Interne

1. Inserire i bulloni di sospensione nell'accessorio del braccio di sospensione.
2. Inserire i dadi e la rondella su entrambi i lati degli accessori metallici.
3. Fissare l'unità con i dadi.

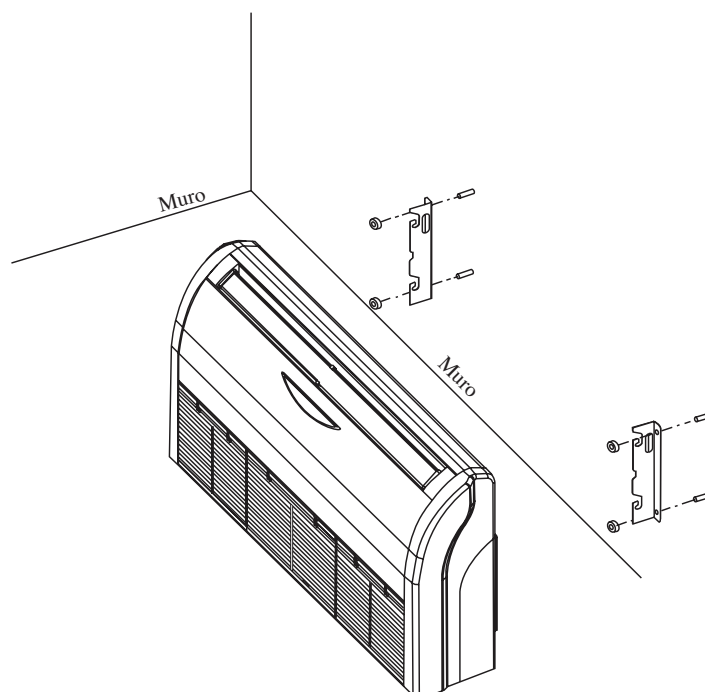
Installazione del Tipo a Soffitto

Figura D



Tipo installazione a pavimento

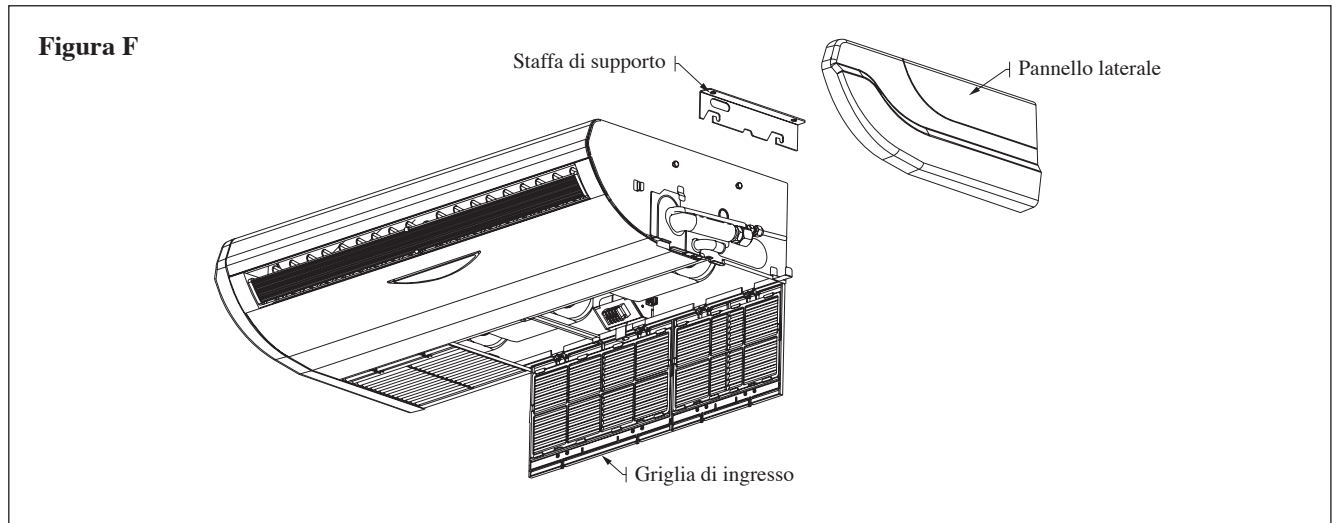
Figura E



Installazione - Tipo esposto a soffitto

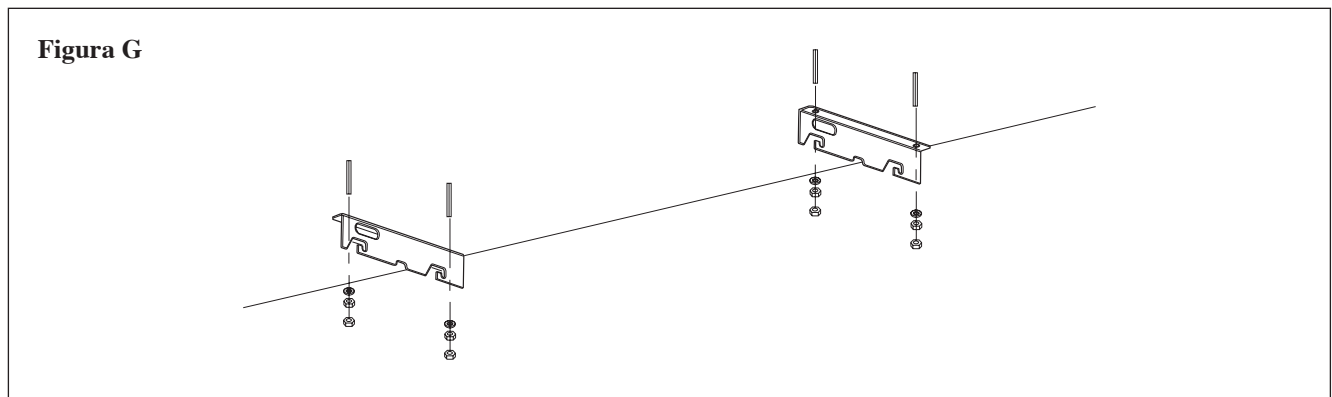
Passaggio 1

Rimuovere la griglia di ingresso dell'aria, il pannello laterale e la staffa di supporto dall'unità. Vedere la Figura F.



Passaggio 2

Posizionare l'aggancio come mostrato nella Figura G e installare la staffa di supporto.



Passaggio 3

Agganciare l'unità e stringere i bulloni dopo l'installazione di tubi e tubi di scarico. Vedere la Figura H. Infine installare la griglia di ingresso e il pannello laterale nella posizione corretta. Vedere la Figura I.

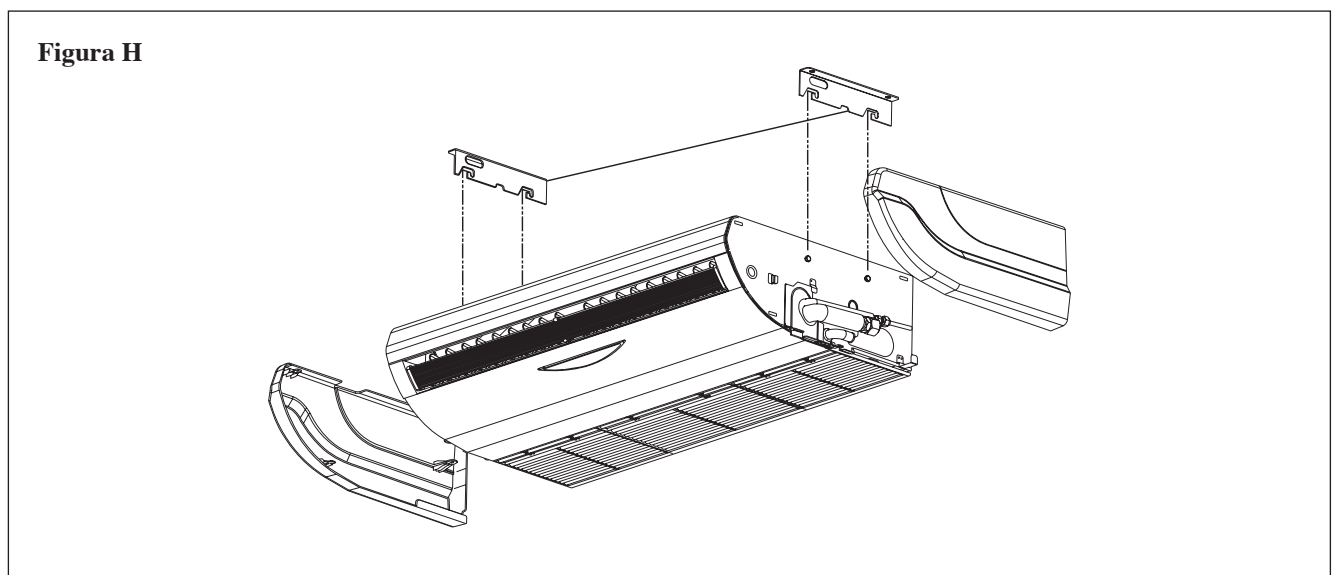
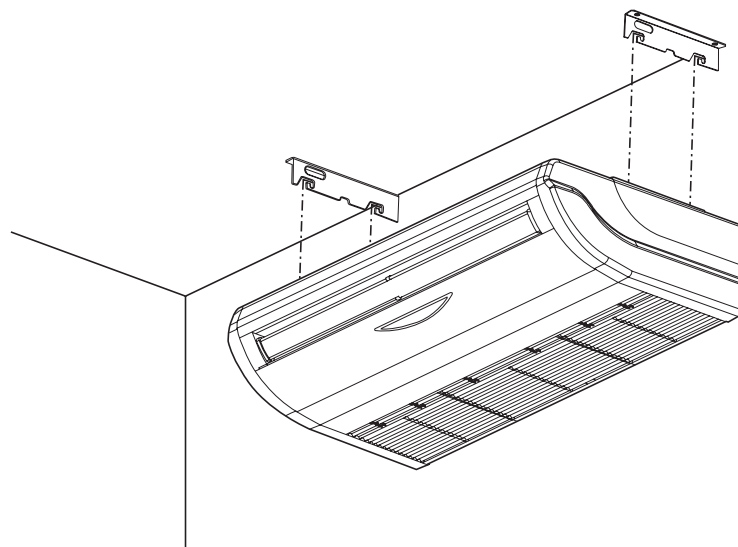
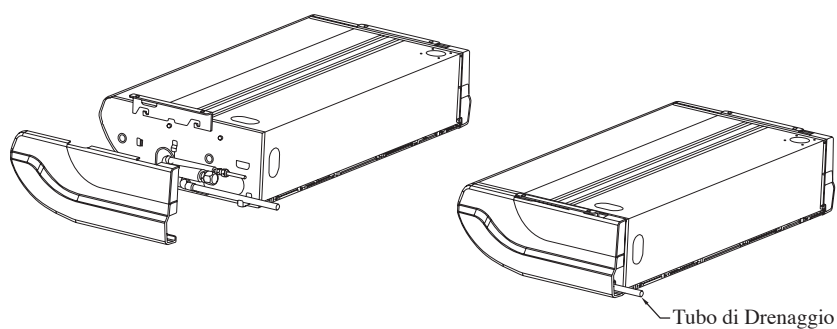


Figura I



Installazione delle tubature e del tubo di scarico

Figura J



Passaggi per aprire la griglia di ingresso

1. Sbloccare con il cacciavite la vite bloccante del blocco della griglia.
2. Rimuovere il blocco della griglia e sbloccarlo.
3. Vedere la Figura K come riferimento.

Figura K

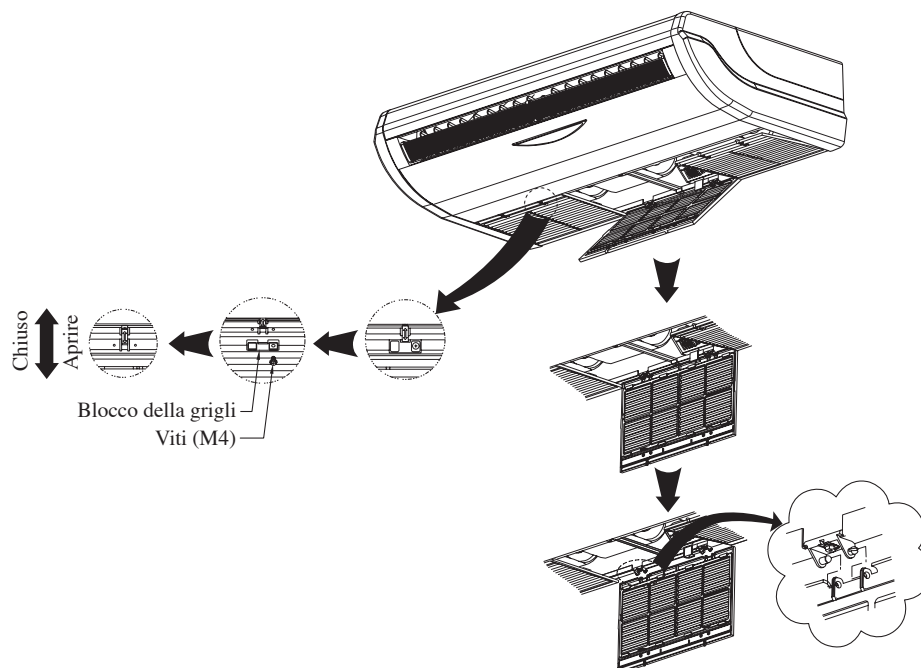
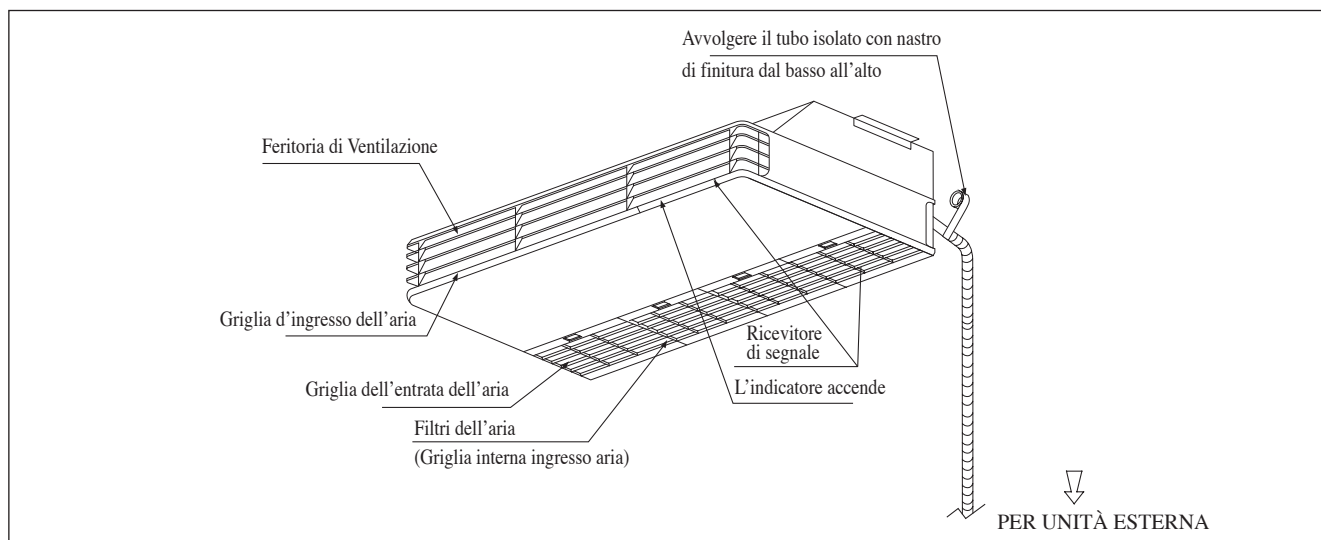


DIAGRAMMA PER L'INSTALLAZIONE (AHQ140CV1)



INSTALLAZIONE DELL'UNITÀ INTERNA (AHQ140CV1)

Verifiche Preliminari

- Le fluttuazioni del voltaggio di alimentazione non devono scostarsi dal voltaggio nominale di più del $\pm 10\%$. Sulle linee elettriche di alimentazione non devono essere inseriti eventuali trasformatori da saldatura che per natura tendono a provocare delle alte fluttuazioni nel voltaggio.
- Accertarsi che il luogo scelto per l'installazione del condizionatore sia conveniente per gli allacciamenti elettrici e per il drenaggio.

Montaggio standard

Accertarsi che i supporti superiori siano abbastanza resistenti da sopportare il peso dell'unità. Posizionare le barre di sospensione e controllare che siano allineate con l'unità. Inoltre, controllare che i supporti di sospensione siano sicuri.

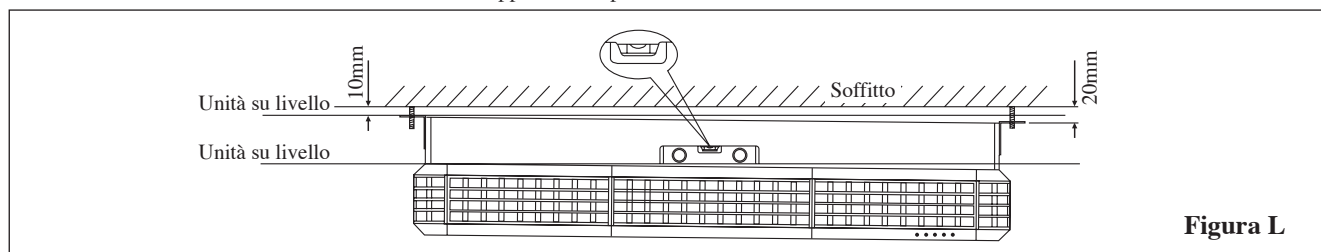


Figura L

Accertarsi di effettuare le seguenti operazioni:

- L'unità dovrebbe essere installata sollevandola/inclinandola ad almeno 10mm, secondo quanto raccomandato nella Figura L.
- La pendenza del condotto di scarico deve essere tenuta almeno a un rapporto di 1:100.
- Installare l'impianto a una distanza adeguata per svolgere facilmente le procedure di assistenza e manutenzione e assicurare un flusso d'aria ottimale, come indicato nella Figura M.
- L'unità interna deve essere installata in maniera tale che non vi siano cortocircuiti tra l'aria scaricata fredda e l'aria di riflusso calda.
- Non installare l'unità interna nei luoghi soggetti alla luce diretta del sole. Il luogo di installazione deve essere adatto per l'inserimento delle tubature e lo scarico. Sistemare l'unità molto lontano dalla porta.

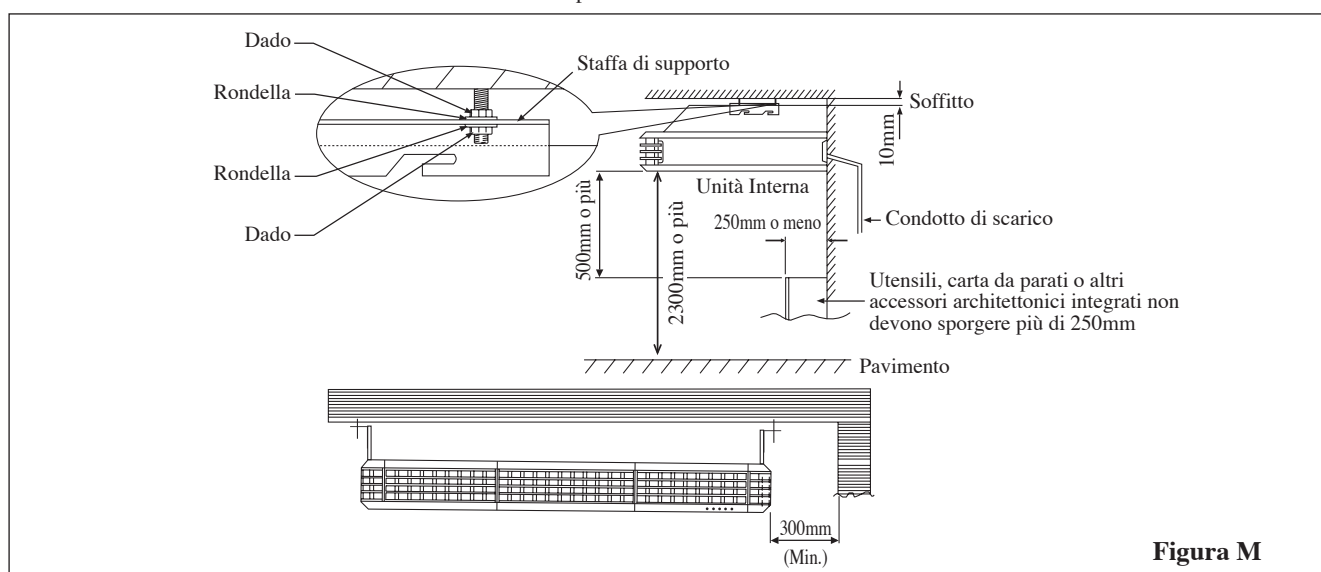


Figura M

INSTALLAZIONE SOTTO TETTO (AHQ140CV1)

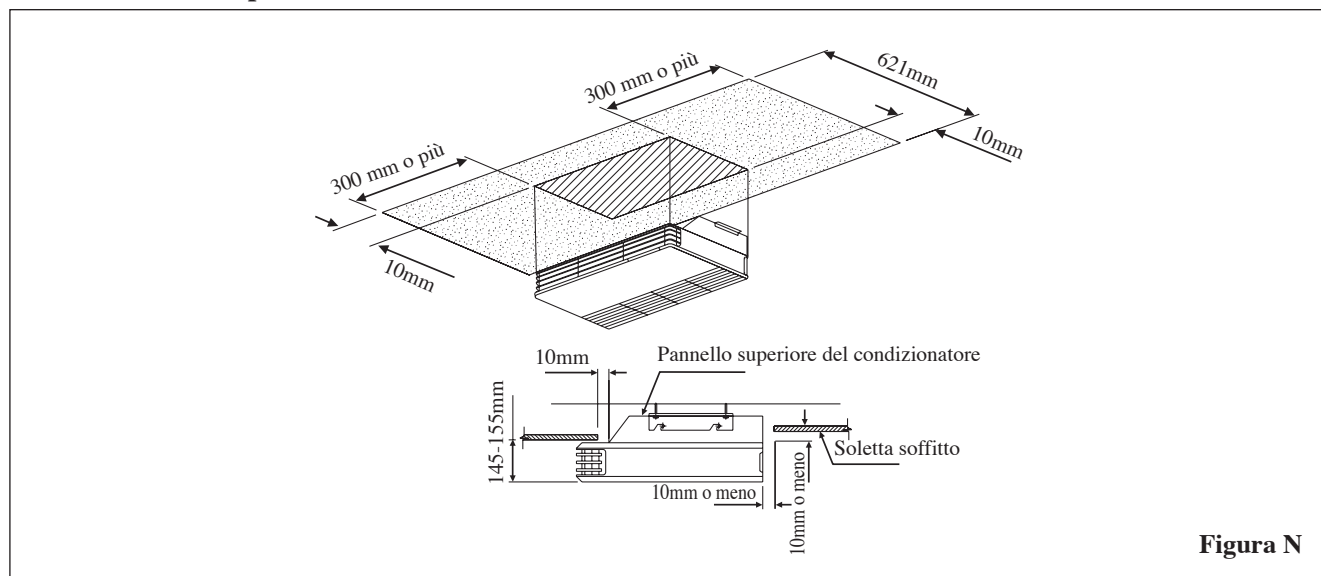
Installare i Bulloni di Sospensione

1. Installare i bulloni di sospensione in modo da supportare l'unità interna.
2. Prima dell'installazione, regolare la distanza dal soffitto.
3. Per installare l'unità, fare riferimento alle dimensioni fornite nella Figura N.

Installare le Unità Interne

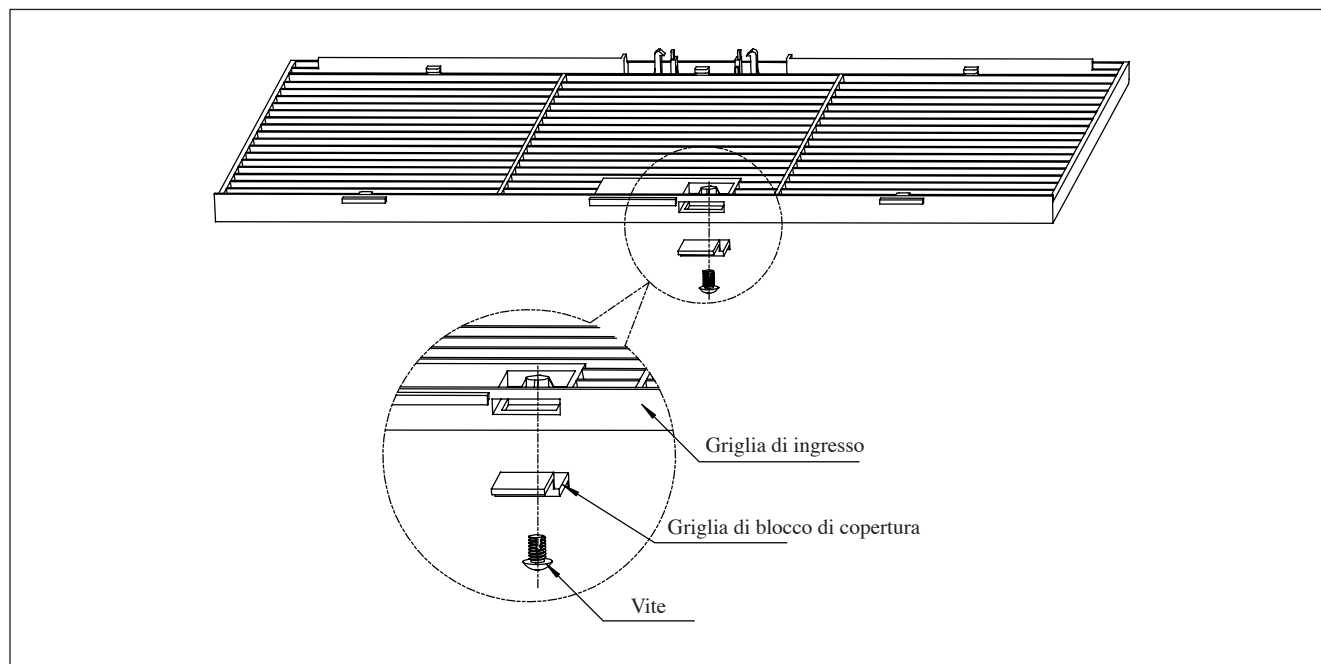
1. Inserire i bulloni di sospensione nell'accessorio del braccio di sospensione.
2. Inserire i dadi e la rondella su entrambi i lati degli accessori metallici.
3. Fissare l'unità con i dadi.

Installazione del Tipo a Soffitto



Griglia di blocco di copertura (la protezione della parte mobile che l'utente diretto può toccare)

La griglia di blocco di copertura deve essere installata come mostra la figura che segue.



Se l'unità ha bisogno di manutenzione devono essere seguiti i punti che seguono:

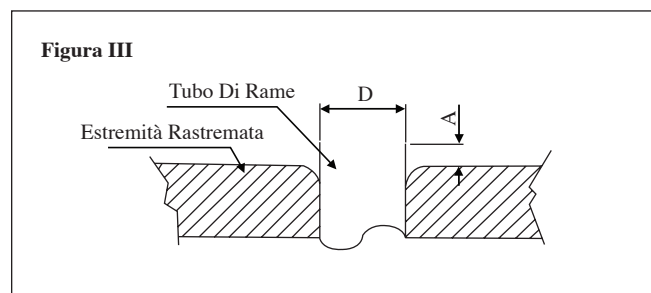
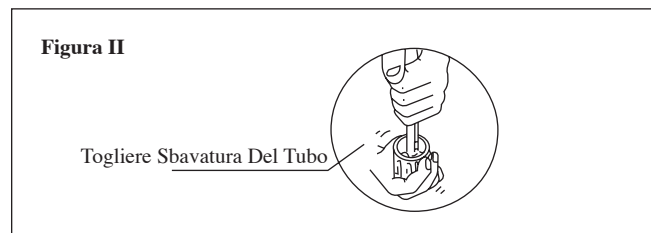
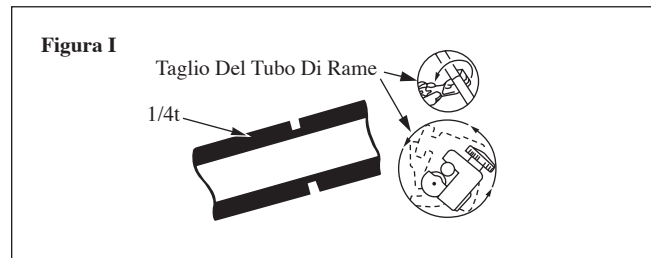
1. Assicurarsi che l'unità sia spenta prima di eseguire manutenzioni.
2. Usare il cacciavite per togliere la vite della griglia di blocco di copertura.
3. Togliere la griglia di blocco di copertura e aprire la griglia di ingresso per la manutenzione.
4. Montare la griglia di ingresso e avvitare la griglia di blocco di copertura dopo la manutenzione assicurandosi che l'unità sia correttamente installata.

Meccanica Delle Conduzze E Tecnica Di Svaso

- Non usare condotti di rame contaminati o danneggiati. Se qualsiasi tubo, evaporatore o condensatore è stato esposto o sia stato aperto per 15 secondi o più, bisogna aspirare l'aria dal sistema. Come regola generale, non rimuovere le parti in plastica, i tappi in gomma e i dadi di ottone da valvole, accessori vari, condutture e serpentini fino a quando non si è pronti a collegare le tubature di aspirazione e dei liquidi alle valvole e altri accessori.
- Caso siano necessari lavori di saldatura, assicurarsi che del gas azoto passi attraverso i serpentini e connessioni durante l'esecuzione della saldatura. Di questo modo si elimina la formazione di fuliggine nelle pareti interne dei tubi di rame.
- Tagliare il tubo con uno secatore in modo progressivo. Un eccesso di forza e un taglio in profondità provocheranno una maggiore distorsione sul tubo e, di conseguenza più bava. Vedere Figura I.
- Utilizzando un punzone, rimuovere le bavature dalle estremità del tubo appena tagliate, come mostrato nella Figura II. Ciò eviterà le irregolarità dello svaso che possono dare origine a fughe di gas. Tenere il tubo sopra e il dispositivo di rimozione sotto, per evitare che trucioli metallici entrino nel tubo.
- Inserire sui tubi di rame i dadi svasati che si trovano sulle bocchette d'ingresso delle unità interna ed esterna.
- La lunghezza esatta di inserimento dello stampo di svaso dipende dall'attrezzo utilizzato per lo svaso. Fare riferimento alla Figura III.
- Fissare saldamente il tubo allo stampo di svaso. Allineare con cura il mandrino allo stampo e stringere a fondo.

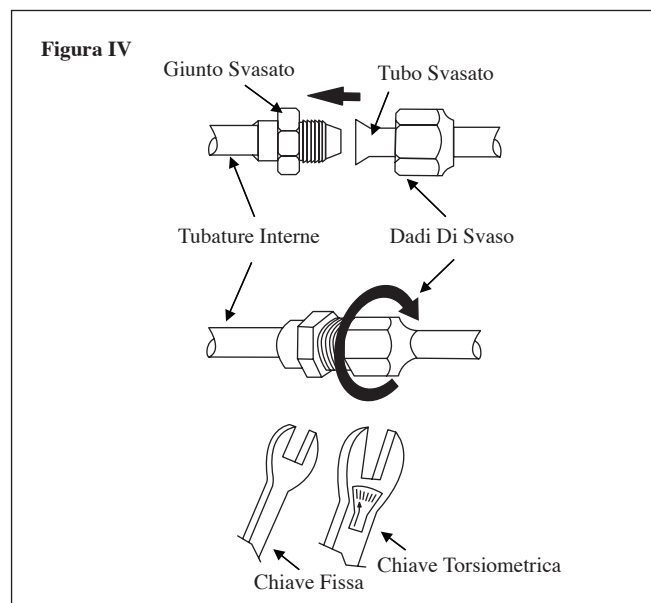
Collegamento Delle Conduzze Alle Unità

- Allineare il centro dei tubi e stringere a mano il dado di svasatura quanto basta. Fare riferimento alla Figura IV.
- A mezzo di una chiave torsiometrica, stringere quindi il dado fino a che si produca lo scatto previsto.
- Durante l'operazione, verificare che la rotazione di serraggio rispetti la direzione indicata dalla freccia della chiave.
- Le connessioni dei tubi del refrigerante sono isolate con poliuretano a cellule chiuse.

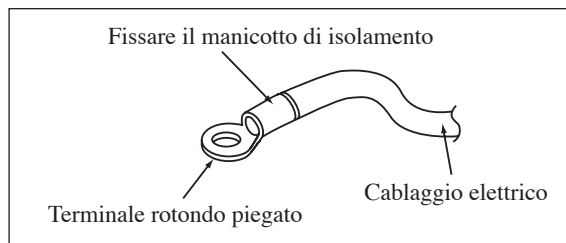


Dimensioni Del Tubi (mm / Pollici)	Torsione (piedi-libre)
6,35 (1/4")	18 (13,3")
9,52 (3/8")	42 (31,0")
12,70 (1/2")	55 (40,6")
15,88 (5/8")	65 (48,0")
19,05 (3/4")	78 (57,6")

Ø Tubo, D		A (mm)	
Pollici	mm	Imperiale (Tipo dado ad alette)	Rigido (Tipo a leva)
1/4"	6,35	1,3	0,7
3/8"	9,52	1,6	1,0
1/2"	12,70	1,9	1,3
5/8"	15,88	2,2	1,7
3/4"	19,05	2,5	2,0



- Tutti i fili devono essere collegati saldamente.
- Assicurarsi che tutti i cavi elettrici non vengano a contatto con i tubi del refrigerante, il compressore o qualsiasi parte in movimento.
- Il cavo di collegamento tra l'unità interna e l'unità esterna deve essere fissato usando un aggancio apposito.
- Il cavo di alimentazione deve equivalere ad un minimo di H07RN-F.
- Assicurarsi che non sia esercitata alcuna pressione esterna sui connettori terminali e sui cavi elettrici.
- Assicurarsi che tutti i coperchi siano fissati correttamente per evitare aperture.
- Usare un terminale rotondo piegato per collegare i cavi al blocco terminale di alimentazione. Collegare i cavi secondo le indicazioni presenti sul blocco terminale. (Vedere il diagramma del cablaggio allegato all'unità).



- Usare il cacciavite corretto per stringere le viti del terminale. Cacciaviti non adatti possono danneggiare la testa della vite.
- Un serraggio eccessivo può danneggiare la vite terminale.
- Non collegare cavi elettrici di misura diversa allo stesso terminale.
- Mantenere la disposizione dei cavi in modo ordinato. Evitare che i cavi elettrici non ostruiscano altre parti e il coperchio della centralina.



PRECAUZIONI SPECIALI QUANDO SI OCCUPANO DELL'UNITÀ DI R410A

R410A è un nuovo refrigerante di HFC che non danneggia lo strato di ozono. La pressione di funzionamento di questo nuovo refrigerante è 1,6 volte superiore rispetto al refrigerante convenzionale (R22), in tal modo è essenziale un'installazione / manutenzione corretta.

- Mai refrigerante di uso tranne R410A in un condizionatore dell'aria che è destinato per funzionare con R410A.
- L'olio di POE o PVE è usato come lubrificante per il compressore R410A, che è differente dall'olio minerale usato per il compressore R22. Durante installazione o l'assistenza, la precauzione supplementare deve essere presa per non esporre il sistema di R410A troppo lungo ad aria umida. L'olio residuo di POE o PVE nelle condutture e i componenti possono assorbire l'umidità dell'aria.
- Impedire mischarging, il diametro dell'orificio di servizio sulla valvola del chiarore è differente da quello di R22.

- Usi gli attrezzi ed i materiali esclusivamente per il refrigerante R410A. Gli attrezzi esclusivamente per R410A sono valvola molteplice, tubo flessibile caricantesi, manometro, rivelatore della perdita del gas, attrezzi del chiarore, chiave da coppia di torsione, pulsometro e cilindro del refrigerante.
- Poiché un condizionatore dell'aria di R410A subisce l'più alta pressione che le unità R22, è essenziale per scegliere correttamente i tubi di rame. Mai diluente di rame dei tubi dell'utente che 0,8mm anche se sono disponibili nel mercato.
- Se il gas del refrigerante propaga durante l'installazione/ servicing, sia sicuro arieggiare completamente. Se il gas refrigerant entra in contatto con fuoco, un gas tossico può accadere.
- Nell'installare o rimuovendo un condizionatore dell'aria, non lasci che l'aria o l'umidità rimanga nel ciclo refrigerant.

SPURGO E RICARICA

L'intervento di vuoto è necessario per eliminare tutta l'umidità e l'aria presenti nel sistema.

Aspirazione Delle Tubazioni E Dell'Unità Interna

L'unità interna e le tubature di collegamento del refrigerante devono essere privi d'aria, in quanto l'aria umida che rimane nel ciclo del refrigerante può causare guasti al compressore.

- Rimuovere i tappi della valvola e del porto di servizio.
- Collegare il centro della valvola del collettore alla pompa di estrazione.
- Collegare la valvola del collettore alla bocchetta di servizio della valvola a 3 vie.

- Avviare la pompa di estrazione. Far spurgare per 30 minuti circa. Il tempo di spurgo varia a seconda della capacità della pompa di estrazione. Controllare che l'ago della valvola del collettore si sia portata su -760mmHg.

Cautela

- Se l'ago non si sposta su -760mmHg, controllare che non ci siano perdite di gas (utilizzando il rivelatore di refrigerante) in prossimità del collegamento svasato del blocco interno ed esterno e riparare la perdita prima di procedere.
- Chiudere la valvola del collettore e spegnere la pompa di estrazione.

PROMEMORIA

- In the event that there is any conflict in the interpretation of this manual and any translation of the same in any language, the English version of this manual shall prevail.
- The manufacturer reserves the right to revise any of the specification and design contain herein at any time without prior notification.
- En cas de désaccord sur l'interprétation de ce manuel ou une de ses traductions, la version anglaise fera autorité.
- Le fabriquant se réserve le droit de modifier à tout moment et sans préavis la conception et les caractéristiques techniques des appareils présentés dans ce manuel.
- Im Falle einer widersprüchlichen Auslegung der vorliegenden Anleitung bzw. einer ihrer Übersetzungen gilt die Ausführung in Englisch.
- Änderungen von Design und technischen Merkmalen der in dieser Anleitung beschriebenen Geräte bleiben dem Hersteller jederzeit vorbehalten.
- In het geval dat een versie van deze handleiding in vertaling anders kan worden geïnterpreteerd dan de Engelse versie, geldt de Engelse versie.
- De fabrikant behoudt zich het recht voor specificaties en ontwerpkenmerken die in dezes worden vermeld, te allen tijde te herzien zonder voorafgaande kennisgeving.
- En caso de conflicto en la interpretación de este manual, y en su traducción a cualquier idioma, prevalecerá la versión inglesa.
- El fabricante se reserva el derecho a modificar cualquiera de las especificaciones y diseños contenidos en el presente manual en cualquier momento y sin notificación previa.
- В случае противоречия перевода данного руководства с другими переводами одного и того же текста, английский вариант рассматривается как приоритетный.
- Завод-изготовитель оставляет за собой право изменять характеристики и конструкцию в любое время без предварительного уведомления.
- Bu kılavuzun anlaşılmasında bir çatışma olduğunda ve farklı dillerdeki tercümelemler farklılık gösterdiğinde, bu kılavuzun İngilizce sürümü üstün tutulacaktır.
- Üretici burada bulunan herhangi teknik özellikleri ve tasarımları herhangi bir zamanda ve önceden haber vermeden değiştirme hakkını saklı tutar.
- Σε περίπτωση διαφορών μεταξύ του εγχειριδίου αυτού και τυχόν μετάφρασής του σε οποιαδήποτε γλώσσα, υπερισχύει η Αγγλική έκδοση αυτού του εγχειριδίου.
- Ο κατασκευαστής διατηρεί το δικαίωμα αναθεώρησης των προδιαγραφών και σχεδίων που περιέχονται στο παρόν οποιαδήποτε στιγμή χωρίς προηγούμενη ειδοποίηση.
- A versão em inglês do Manual prevalecerá na eventualidade de qualquer conflito na interpretação deste Manual e de qualquer tradução do mesmo.
- O fabricante reserva-se o direito de rever qualquer uma das especificações e concepção/design aqui contido a qualquer altura sem aviso prévio.
- Nel caso ci fossero conflitti nell'interpretazione di questo manuale o delle sue steshe traduzioni in altre lingue, la versione in lingua inglese prevale.
- Il fabbricante mantiene il diritto di cambiare qualsiasi specificazione e disegno contenuti qui senza precedente notifica.

DAIKIN EUROPE N.V.

Zandvoordestraat 300, B-8400 Oostende,
Belgium

DAIKIN MCQUAY MIDDLE EAST FZE

P.O.Box 18674, Galleries 4, 11th Floor,
Downtown Jebel Ali, Dubai, UAE.

Importer for Turkey

DAIKIN ISITMA ve SOĞUTMA SISTEMLERİ SAN TIC A.Ş.

Hürriyet Mahallesi Yakacık D-100 Kuzey Yanyol Caddesi
No:49/1-2 Kartal – İstanbul

DAIKIN INDUSTRIES, LTD.

Head office:
Umeda Center Bldg., 2-4-12, Nakazaki-Nishi,
Kita-ku, Osaka, 530-8323 Japan

Tokyo office:
JR Shinagawa East Bldg., 2-18-1, Konan,
Minato-ku, Tokyo, 108-0075 Japan
<http://www.daikin.com/global/>